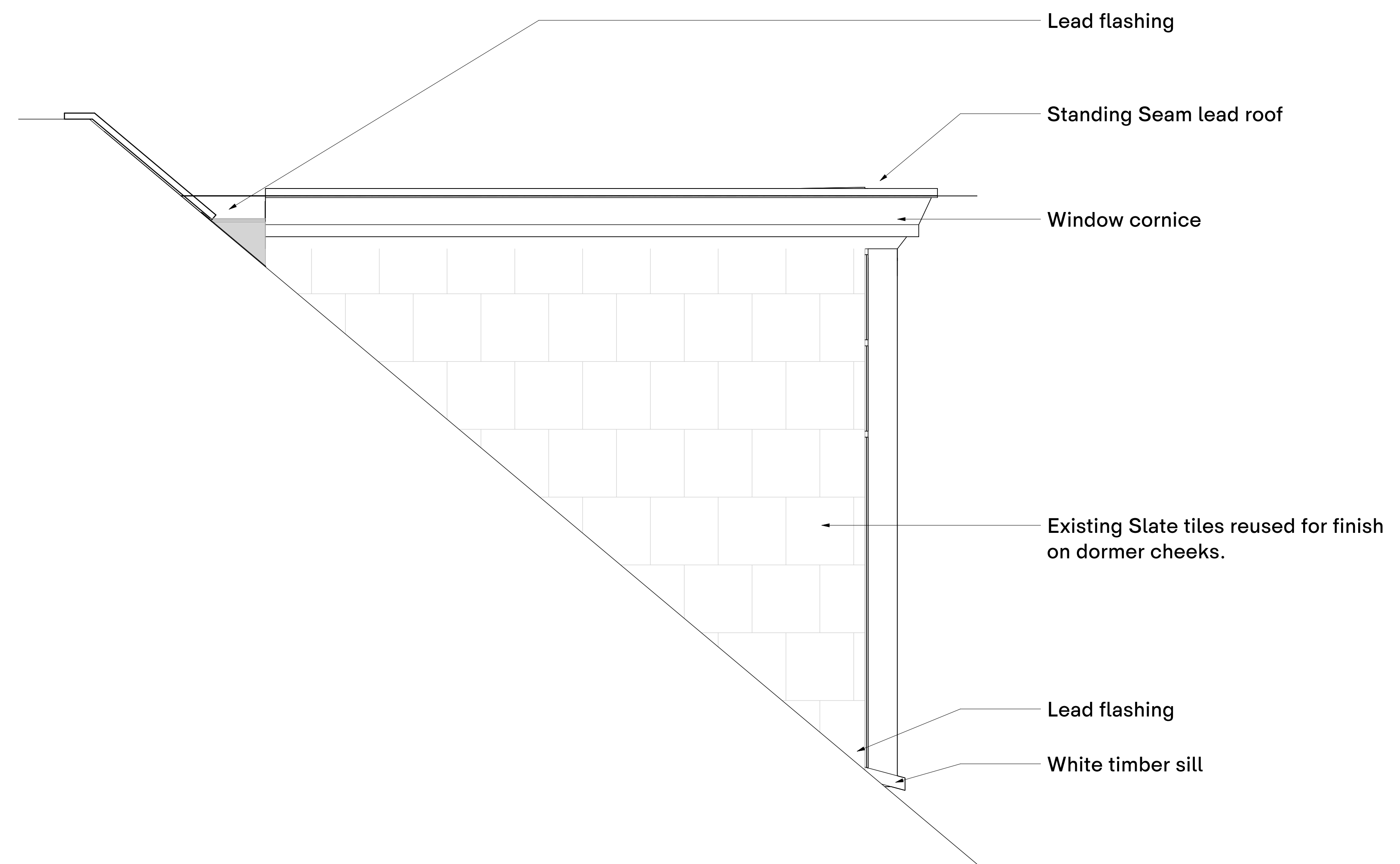
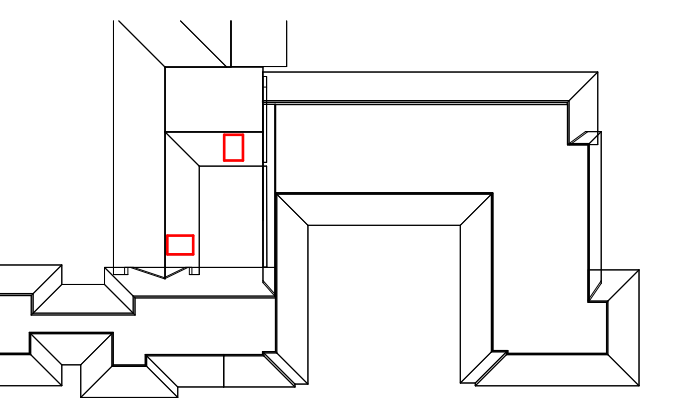


1 Dormer Elevation - Front
1:10



2 Dormer Elevation - Side
1:10



rev. date amendment

0 0.1M 0.2M 0.5M 1M
SCALE: 1:10 @ A1

able partners

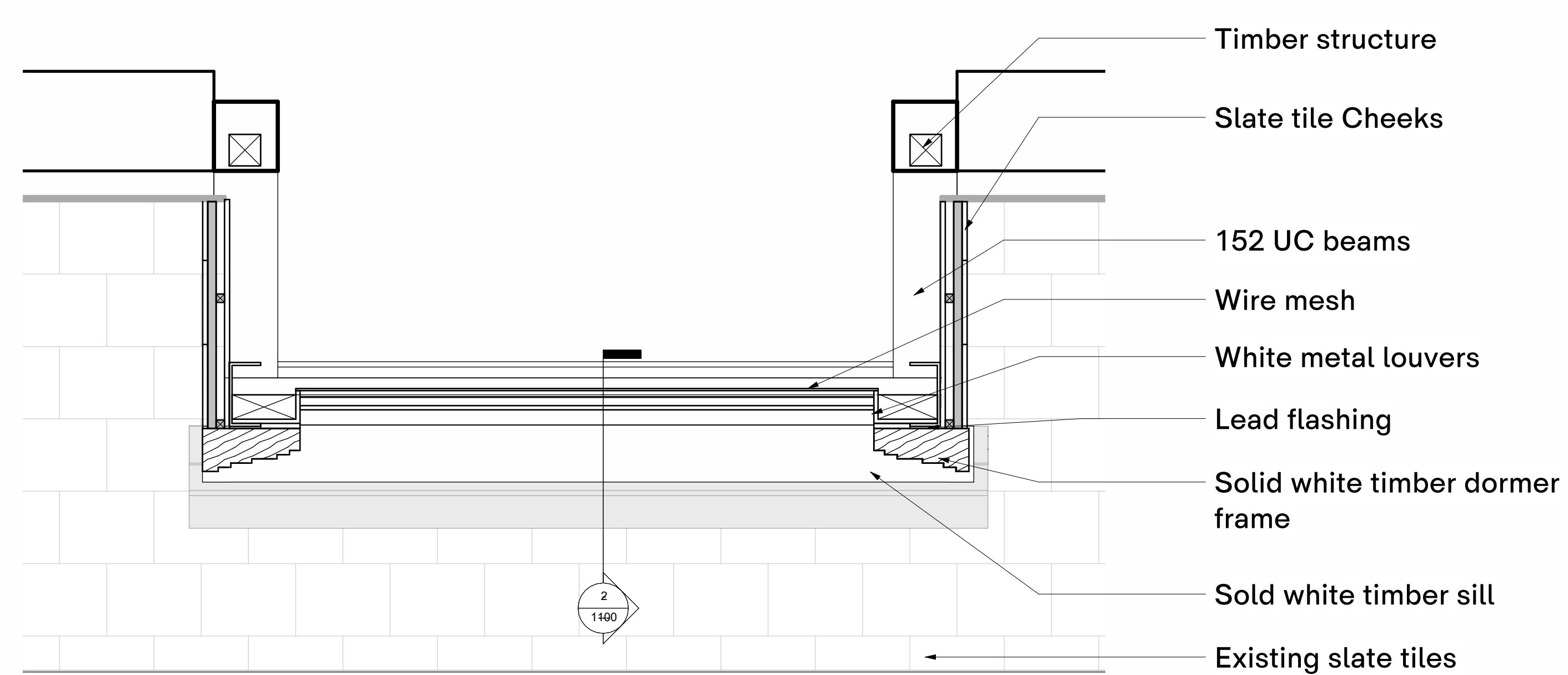
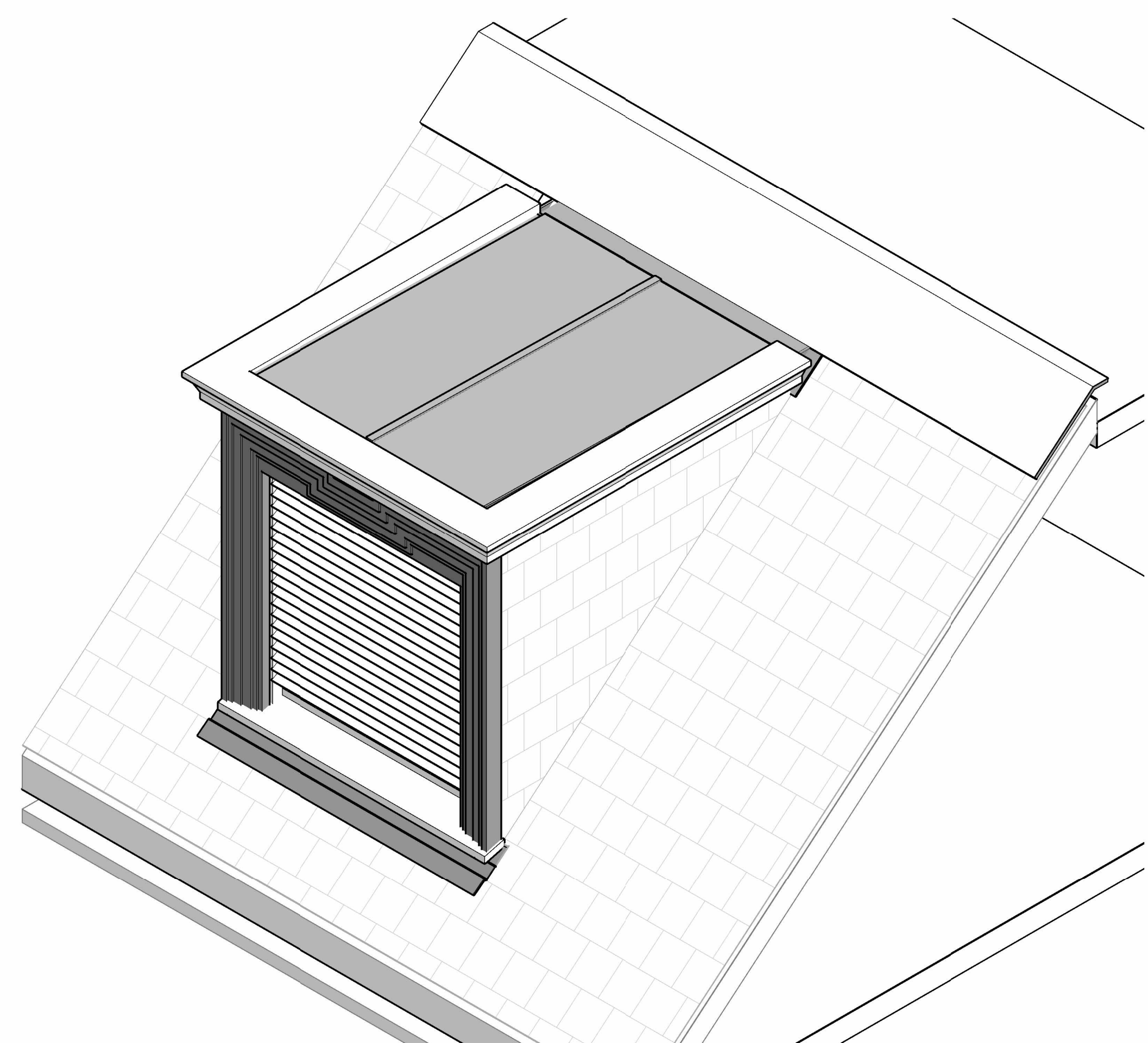
hello@ablepartners.co.uk

job title
Tavistock House

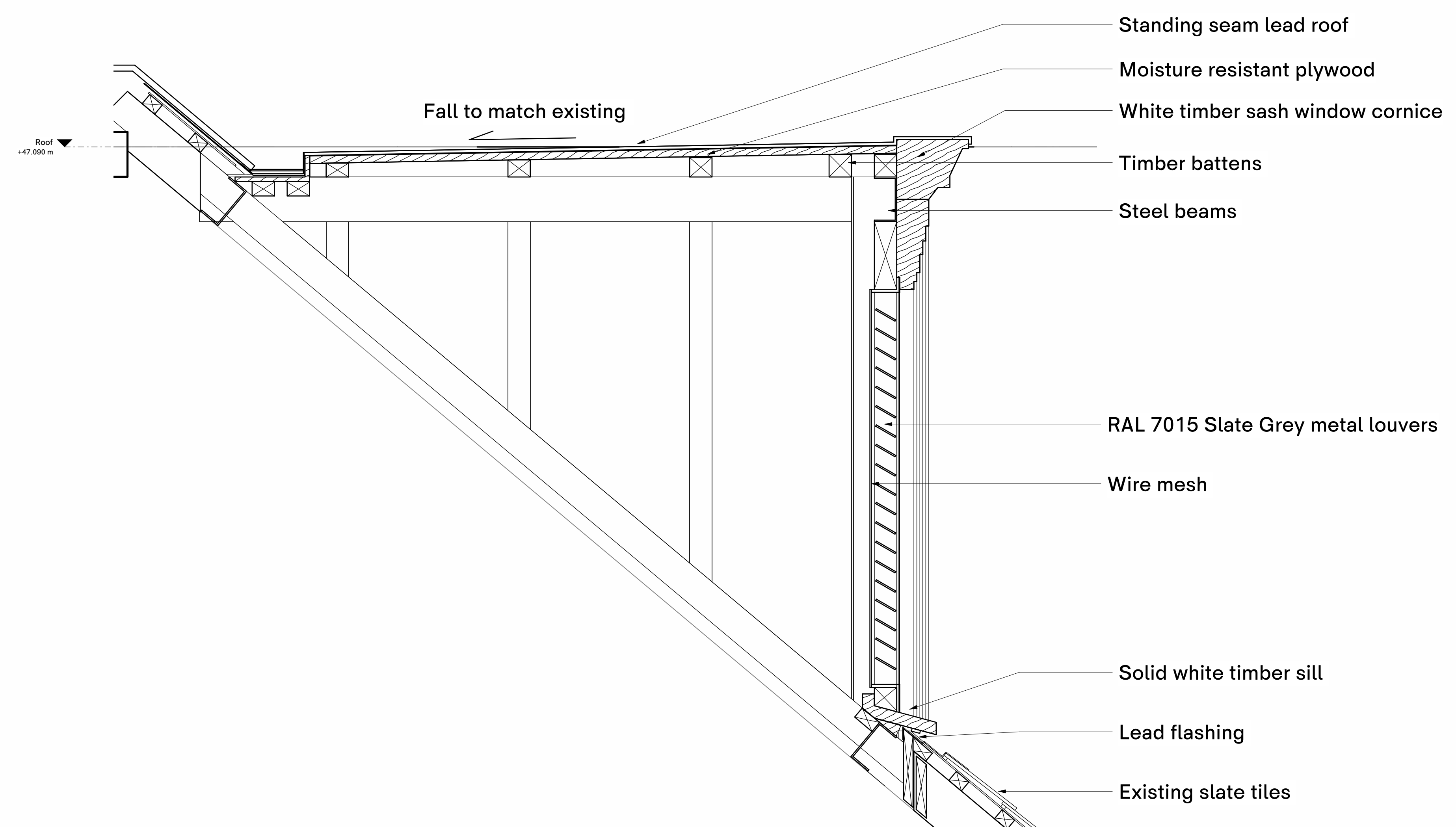
drawing title
Dormer Elevations

scale As Indicated @A0
status Project Status job no. 1061

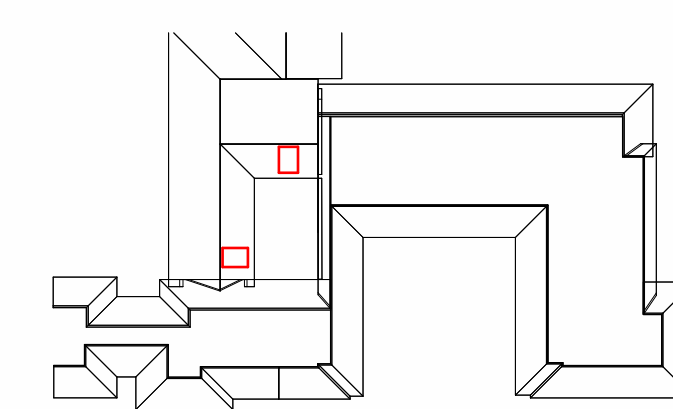
drawing no. 1061-1000 revision



1 Dormer Plan
1:10



2 Dormer Section
1:10



rev. date amendment

0 0.1M 0.2M 0.5M 1M
SCALE: 1:10 @A1

able partners

hello@ablepartners.co.uk

job title
Tavistock House

drawing title
Dormer Plan & Section

scale As Indicated @A0
status Project Status job no. 1061

drawing no. 1061-1100 revision