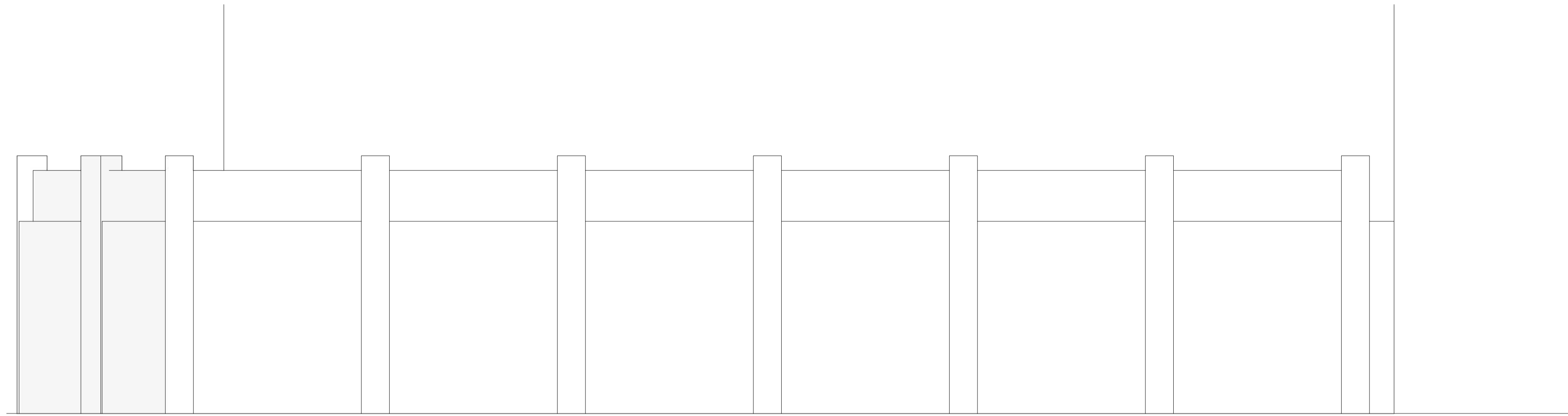


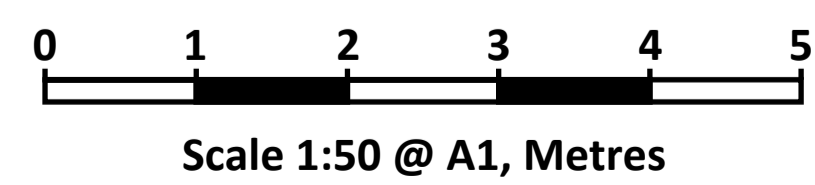
Front Elevation



Right Elevation



Left Elevation



Drawn By:- EJP
Scale:- 1:50 @ A1

Drawing Type:- Planning



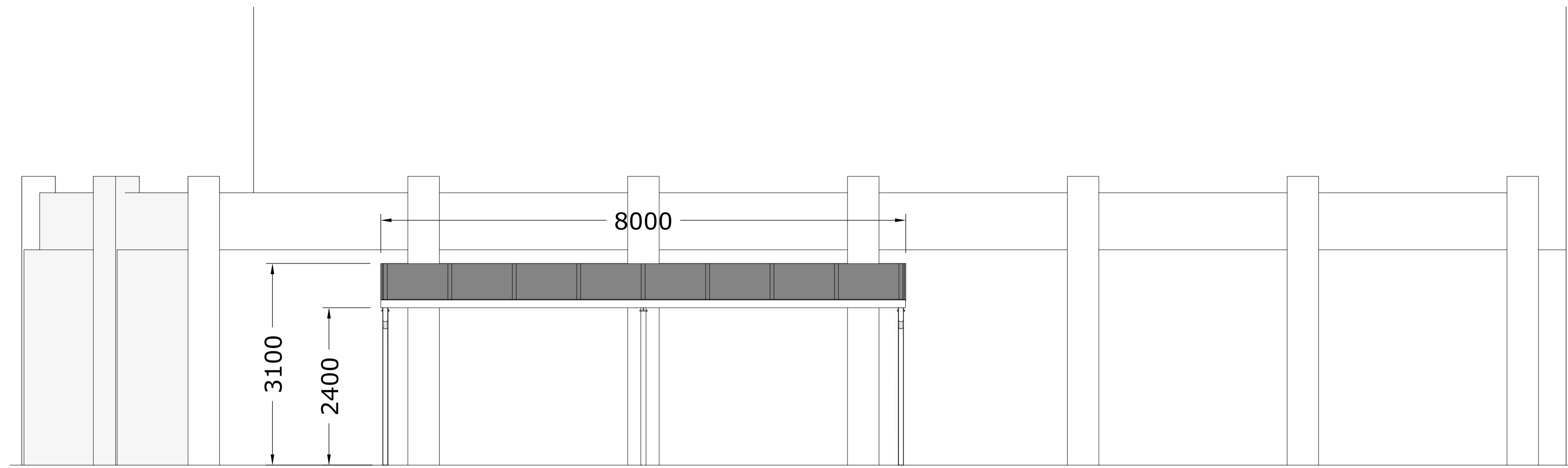
TITLE: SS24-121 - Channing School - Canopy Project -
Proposal - Elevations - Existing

DWG NO.
SS24-121-CS-CP-P-E-E

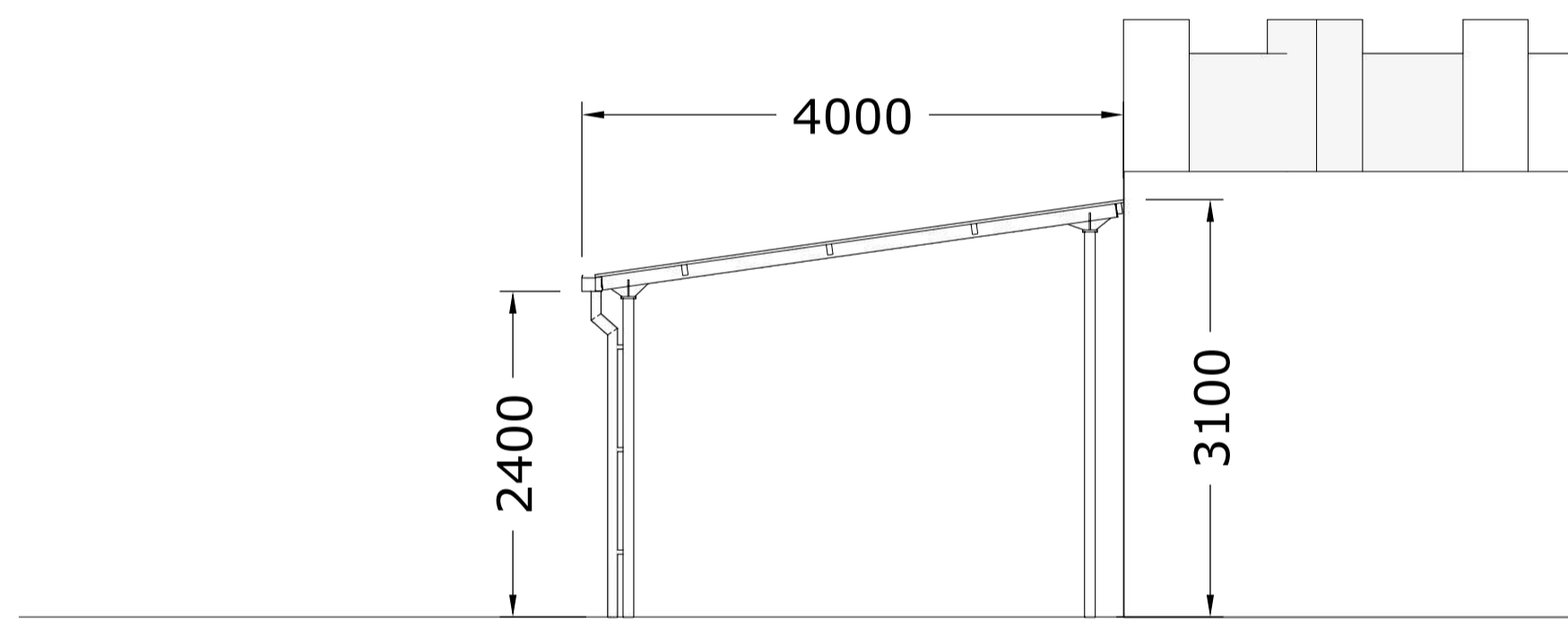
REVISION
A

SHEET 1 OF 1

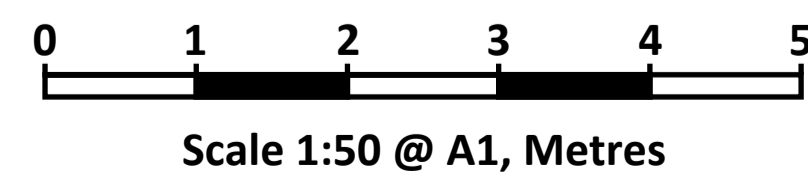
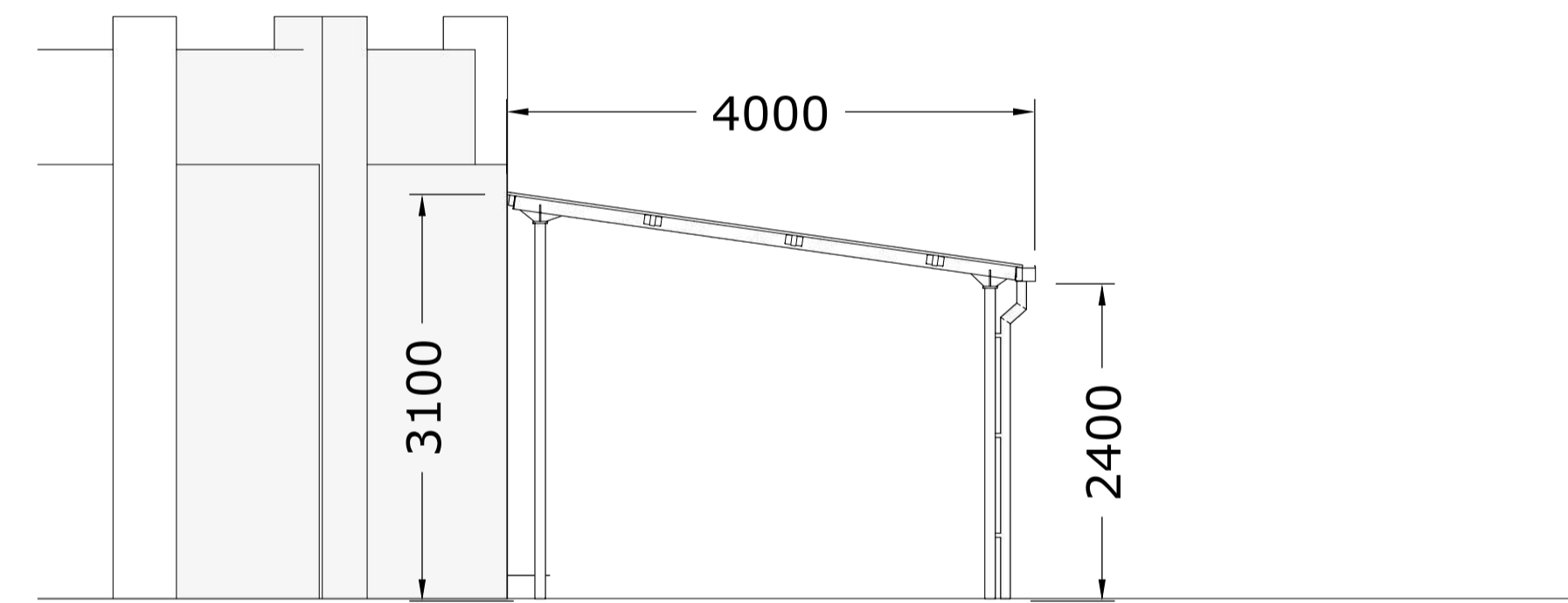
Front Elevation



Right Elevation



Left Elevation



Drawn By:- EJP
Scale:- 1:50 @ A1

Drawing Type:- Planning

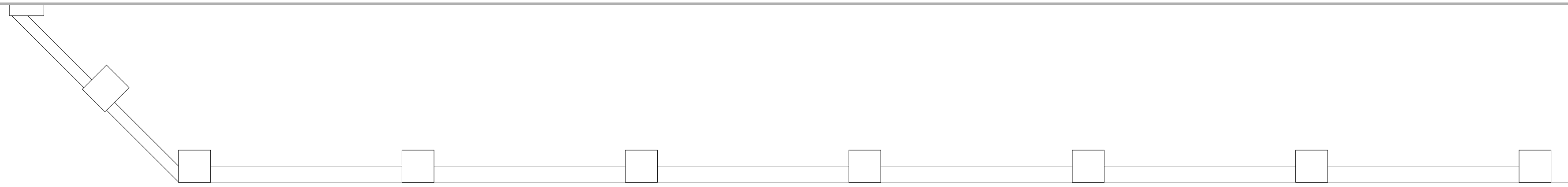


TITLE: SS24-121 - Channing School - Canopy Project - Proposal - Elevations - Proposed

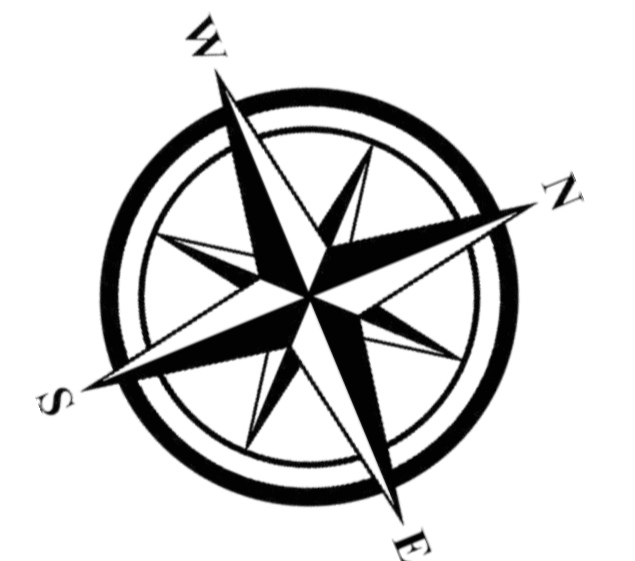
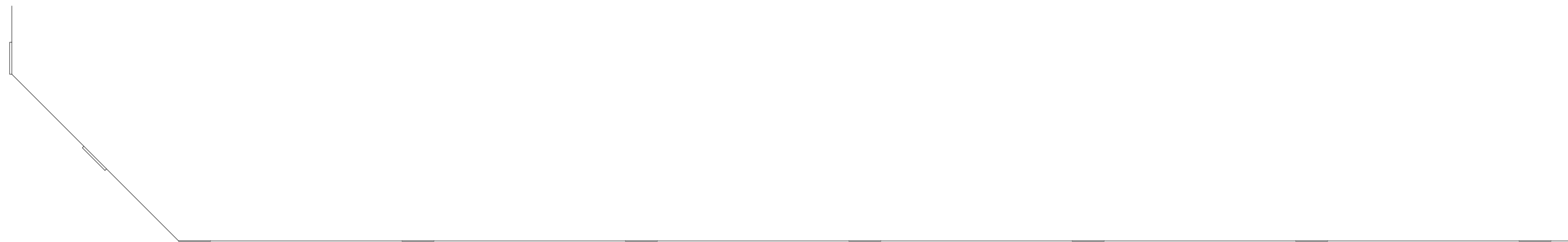
DWG NO.
SS24-121-CS-CP-P-E-P

REVISION
A

Roof Plan



Floor Plan



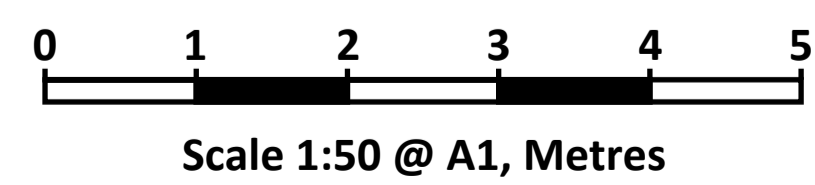
Drawn By:- EJP
 Scale:- 1:50 @ A1

Drawing Type:- Planning

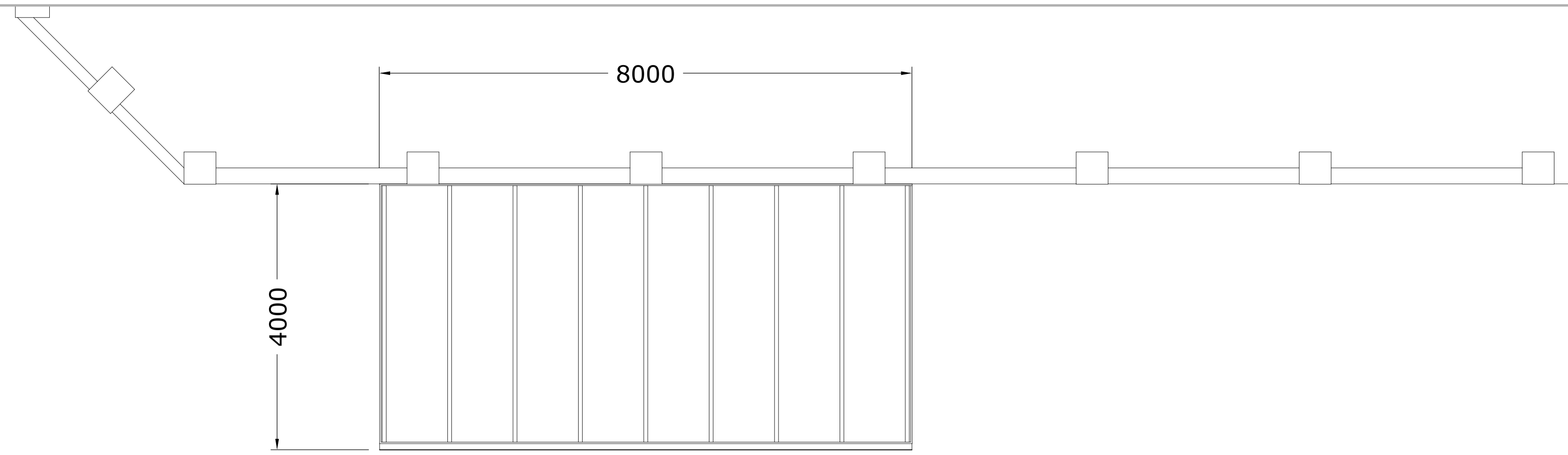


TITLE: SS24-121 - Channing School - Canopy Project -
 Proposal - Plan Views - Existing

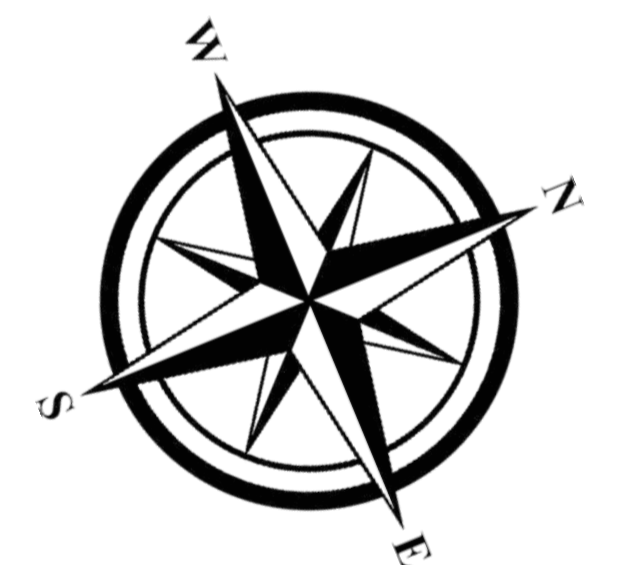
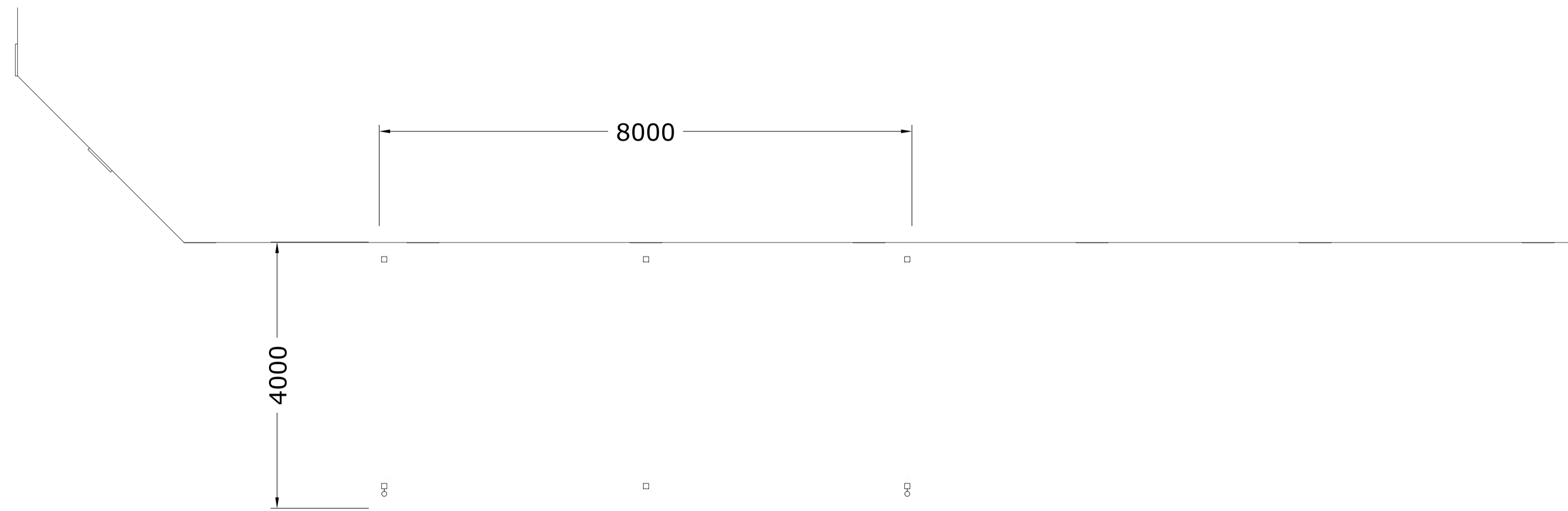
DWG NO. SS24-121-CS-CP-P-PV-E	REVISION A
----------------------------------	---------------



Roof Plan



Floor Plan



Drawn By:- EJP
 Scale:- 1:50 @ A1

Drawing Type:- Planning



TITLE: SS24-121 - Channing School - Canopy Project -
 Proposal - Plan Views - Proposed

DWG NO. SS24-121-CS-CP-P-PV-P	REVISION A
----------------------------------	---------------

