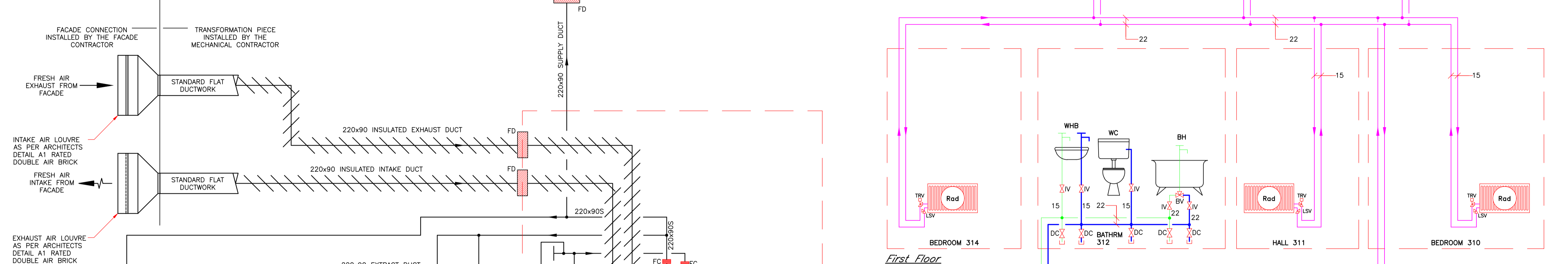


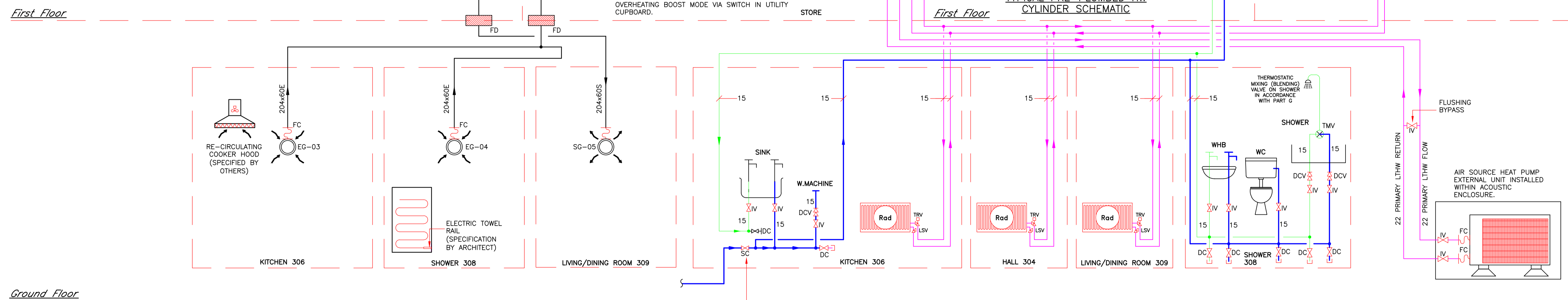
- LEGEND:**
- IV - ISOLATING VALVE
 - SC - STOP COCK
 - AV - AUTOMATIC AIR VENT
 - STR - STRAINER
 - TC - THERMOSTATIC VALVE
 - SV - PRESSURE SAFETY VALVE
 - NRV - NON RETURN VALVE
 - DCV - DOUBLE CHECK VALVE
 - LTHW - LOW TEMPERATURE HOT WATER
 - DPCV -
 - SG - SUPPLY GRILLE
 - VCD - VOLUME CONTROL DAMPER
 - FC - FLEXIBLE CONNECTION
 - FS - FIRE SLEEVE
 - ABV - AUTOMATIC BYPASS VALVE
 - BCWS - BOOSTED COLD WATER SERVICE
 - HWS - HOT WATER SERVICE
 - TMV - THERMOSTATIC MIXING VALVE
 - MS - ORIFICE PLATE METERING STATION
 - 2PCV - 2 PORT CONTROL VALVE
 - DRV - DOUBLE REGULATING VALVE
 - CS - COMMISSIONING SET
 - TP - TEST POINT
 - NC - NORMALLY CLOSED
 - LSV - LOCKSHIELD VALVE
 - DC - DRAIN COCK
 - EV-XX - EXTRACT VALVE
 - SV-XX - SUPPLY VALVE
 - SCV - SINGLE CHECK VALVE
 - ////// INSULATED DUCTWORK

- SANITARY CONNECTION SCHEDULE**
- WHB - Wash Hand Basin**
 15 DHWS & MCW TO BASIN. PROVIDE IV'S AND DC'S.
 32 PVC 75 DEEP PVC TRAP & WP.
- WC - Water Closet**
 15 MCW TO CISTERN WITH SC AND DC
 110 PVC PAN CONNECTOR AND SP
- SK - Sink**
 15 DHWS & MCW TO SINK. PROVIDE IV'S AND DC'S.
 40 PVC 75 DEEP PVC TRAP & WP
- SH - Shower**
 15 DHWS & MCW TO SHOWER TSV. PROVIDE IV'S & DC'S.
 40 PVC 75 DEEP PVC TRAP & WP
- BH - Bath**
 22 DHWS & MCW TO BLENDING VALVE THEN 22 DHWS & MCW TO BATH. PROVIDE IV'S & DC'S.
 40 PVC 75 DEEP PVC TRAP & WP
- WM - Washing Machine**
 15 MCW TO WASHING MACHINE. PROVIDE MACHINE IV WITH DOUBLE CHECK VALVE
 40 STANDPIPE, TUBULAR TRAP AND WP OR CONNECT TO BAYONET FITTING ON SINK TRAP

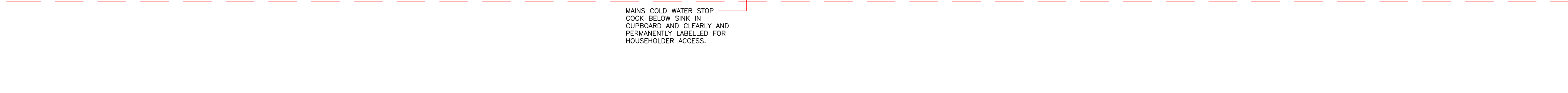
Second Floor



First Floor



Ground Floor



Notes

1. ALL DIMENSIONS ARE IN MILLIMETRES UNLESS OTHERWISE INDICATED.
2. THIS DRAWING SHALL BE READ IN CONJUNCTION WITH THE SPECIFICATION AND ALL OTHER DRAWINGS.
3. REFER TO MECHANICAL SERVICES DRAWING GCE-NBP-ZZ-ZZ-DR-M-1002 FOR LAYOUT.

GENERAL NOTES:

1. PROVIDE DRAIN COCKS ON ALL LOW POINTS AND AUTOMATIC AIR VENTS ON ALL HIGH POINTS.
2. ALL PIPEWORK DROPS FROM HIGH LEVEL TO BE WITHIN PARTITION VOIDS.
3. BCWS AND HWS PIPEWORK WITHIN APARTMENT TO BE COPPER TABLE X. BCWS TO BE PLASTIC COATED AS PER STAGE 3 REPORT.
4. ISOLATING VALVES TO BE INSTALLED IN ACCESSIBLE LOCATIONS.
5. REFER TO THE APARTMENT LAYOUT DRAWINGS FOR PIPEWORK ROUTES.
6. BATH TO INCORPORATE SHOWER WHERE INDICATED ON ARCHITECTS LAYOUTS/ SANITARYWARE SCHEDULES.
7. THERMOSTATIC MIXING (BLENDING) VALVE ON BATH AND SHOWER IN ACCORDANCE WITH PART G.
8. ALL SANITARY WARE AND FITTINGS SHALL BE WRAS APPROVED. CONTRACTOR TO COMPILE WRAS APPROVAL REFERENCES FOR SUBMITTAL TO THAMES WATER.

P1	06.06.24	PRELIMINARY ISSUE	LT	MR
Rev	Date	Notes	Dwn	

NORMAN BROMLEY PARTNERSHIP

Consulting Engineers

Bridge House,
97-101 High Street,
Tonbridge,
Kent. TN9 1DR

Tel. No. (01732) 773737 Fax No. (01732) 773353
Email: mail@normanbromley.co.uk

Client
Glenman Construction Limited
Project
Godwin & Crowndale Estate
Service
Mechanical Engineering
Title
UNIT TYPE 4 MECHANICAL SERVICES SCHEMATIC

Scale	Date	Drawn	Approved
NTS@A1	MAY'24	LT	MR

Drawing No.	Rev.
GCE-NBP-ZZ-ZZ-M-1013	P1