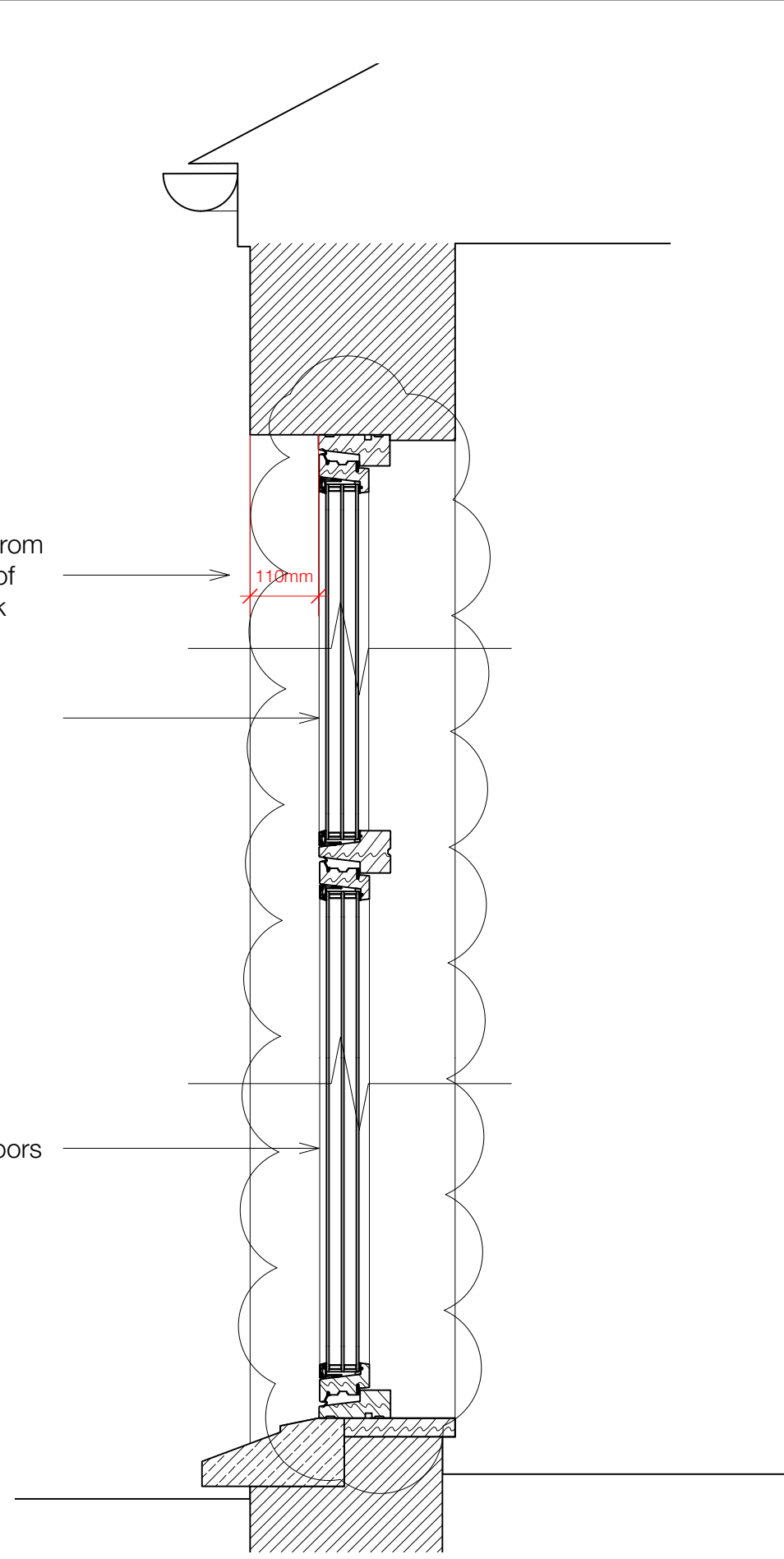


**1 Existing Glazing Detail Section**  
Scale: 1:10



**2 Proposed Glazing Detail Section**  
Scale: 1:10

**General Notes:-**  
 Do not take measurements from drawing.  
 Use only figured dimensions.  
 Verify all dimensions and levels on site and report discrepancies to Employer.  
 Dimensions stated are measured from the finishes.  
 For full window dimensions see Schedule A.  
 For internal & external flooring see P650-P655.



**SANYA POLESCUK ARCHITECTS**  
 8a BELSIZE COURT GARAGES LONDON NW3 5AJ  
 T:0207 431 8580 e-mail:enquiries@polestuckarchitects.com

TITLE:	Window Detail Section (existing & proposed)		
PROJECT:	9 Chalcot Gardens, NW3 4YB		
NO:	P501	REV:	P2
DATE:	11 June 2024	PAPER:	A3
SCALE:	1:10		