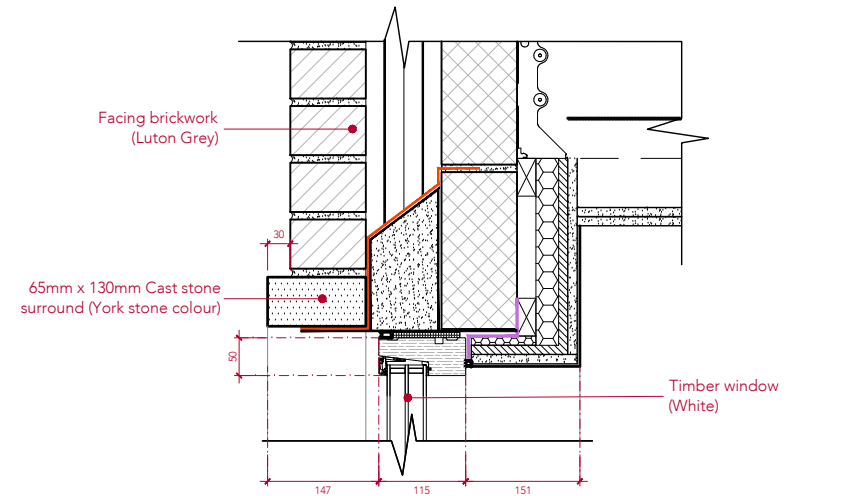
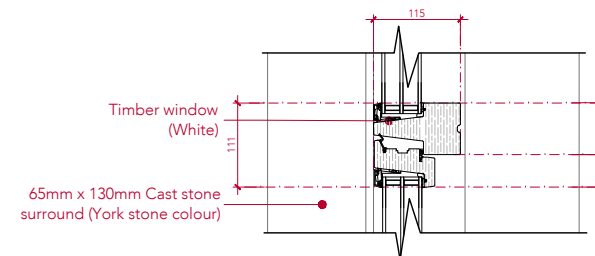


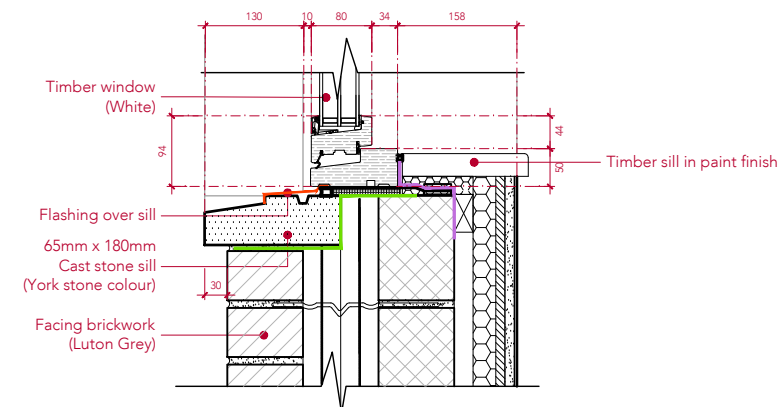
1 WINDOW ELEVATION WITH STONE SURROUND
scale 1:20



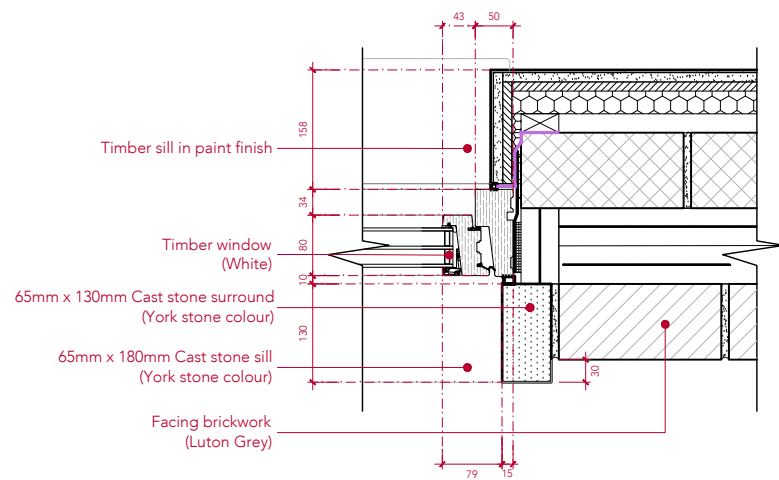
A TYPICAL WINDOW HEAD
scale 1:10



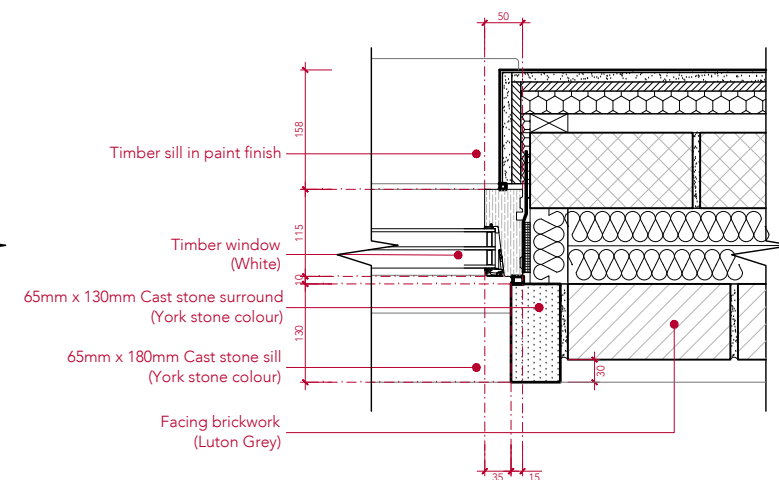
B TYPICAL WINDOW HEAD
scale 1:10



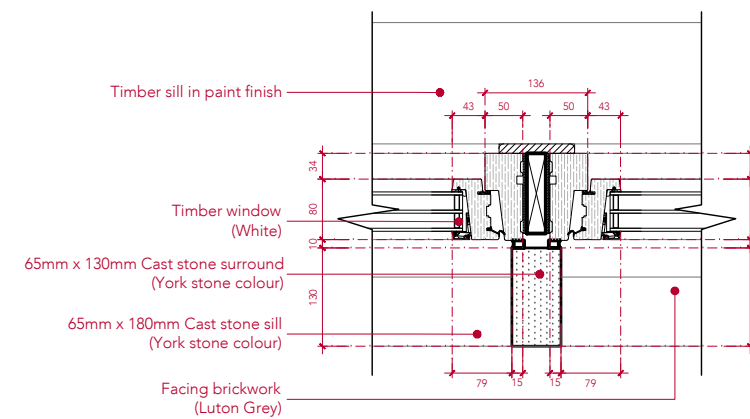
C TYPICAL WINDOW SILL
scale 1:10



D TYPICAL WINDOW JAMB
scale 1:10



E TYPICAL FIXED WINDOW JAMB
scale 1:10



F TYPICAL WINDOW MULLION JAMB
scale 1:10

This drawing is protected under Copyright and at no time should any portion of this drawing be reproduced or copied without the permission of the Architect. (Design Copyright Act 1968)

This drawing must not be used for purposes other than that for which it is provided. It is supplied without liability for any errors or omissions.

Drawings only to be scaled for planning application purposes, all dimensions to be checked on site. All drawings subject to Statutory Authority Approval.

Notes	
A	INFORMATION - INFORMATION
	04.06.2024 29.01.2024
No	Date
Rev	

STATUS INFORMATION



ARCHITECTS + INTERIOR DESIGNERS

91A - 91B HEATH STREET
LONDON NW3 6SS
Tel 020 7636 3838

INFO WWW.TG-STUDIO.CO.UK

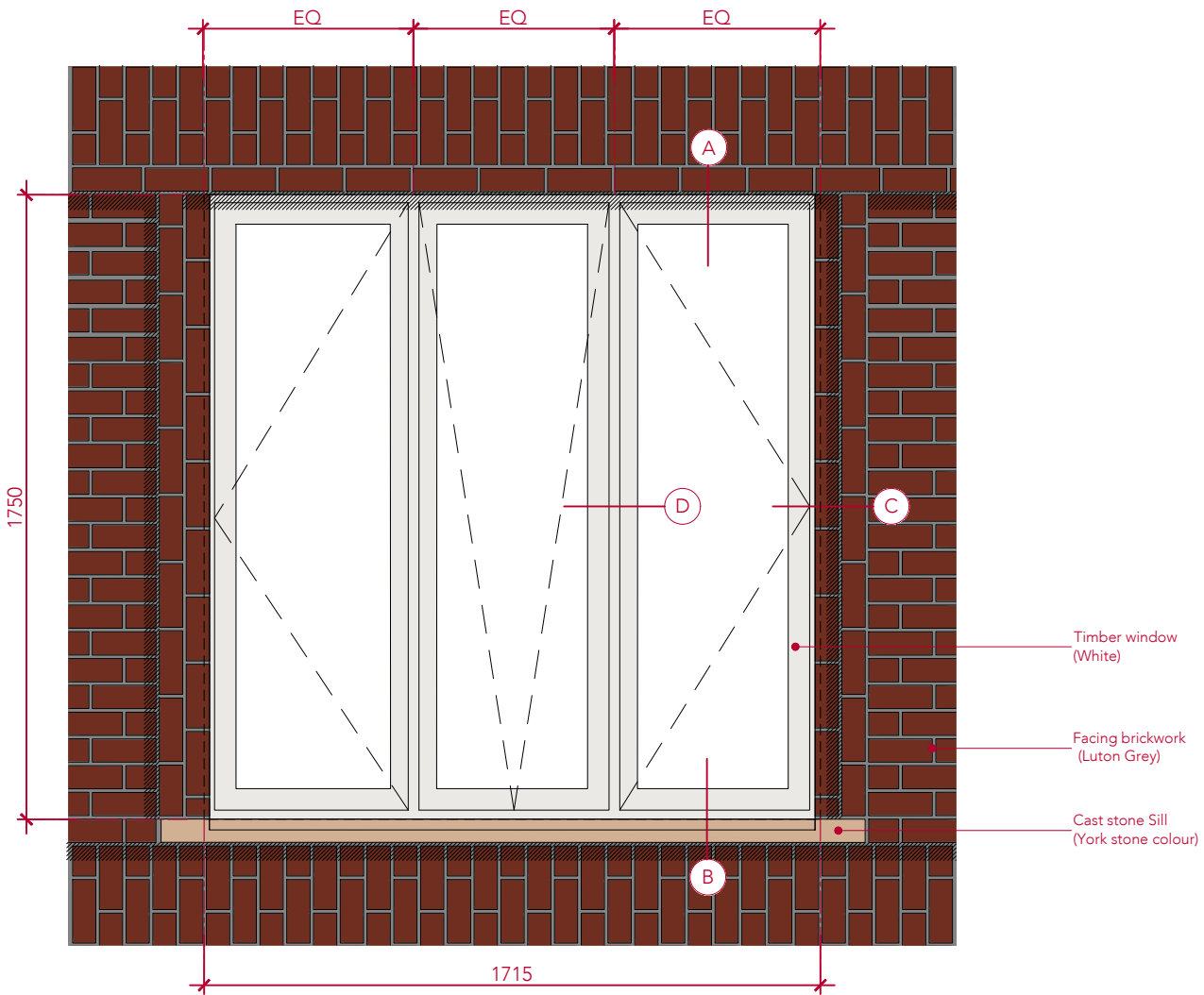
Project: 26B NETHERHALL GARDENS
LONDON NW3 5TL

Date: 29.01.2024
Scale @ A3: 1:10 & 1:20

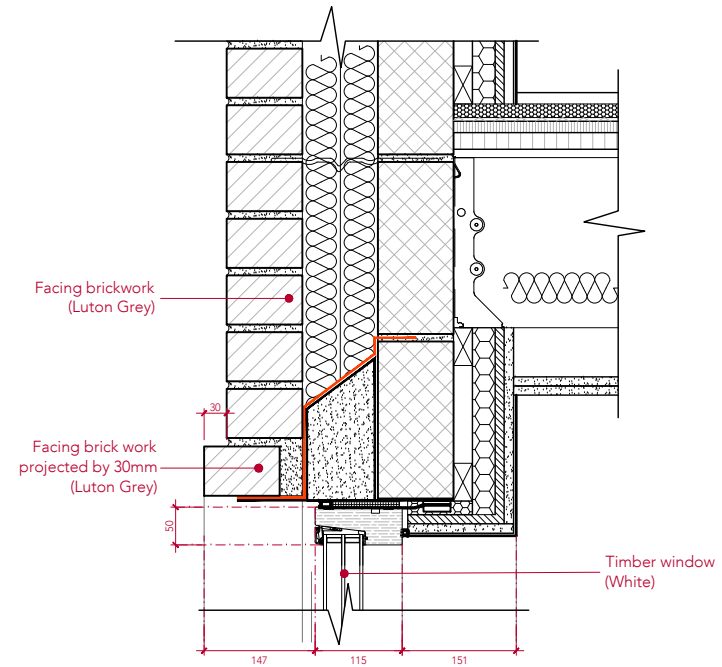
Drawing: OPENING SCHEDULE & DETAILS
WINDOW 1

Drawn by: RV
Checked by: TG

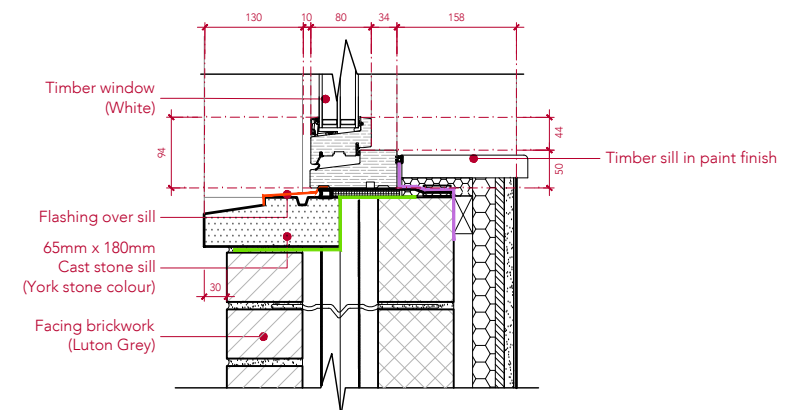
Job No.: 263
Dwg No.: A-550
Rev: A



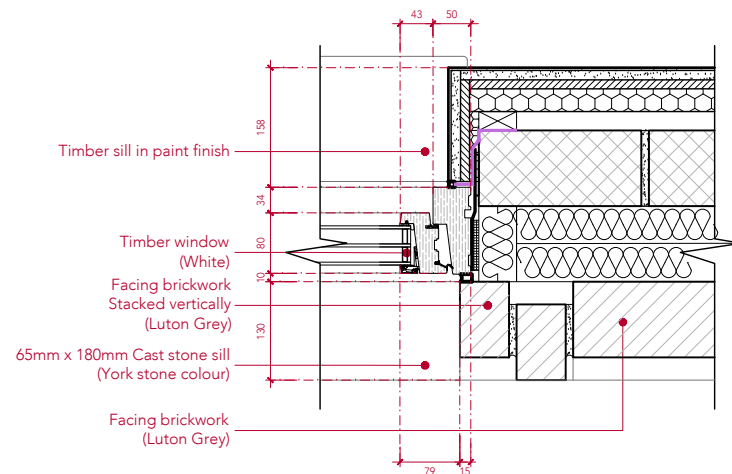
② WINDOW ELEVATION WITH BRICK SURROUND
scale 1:20



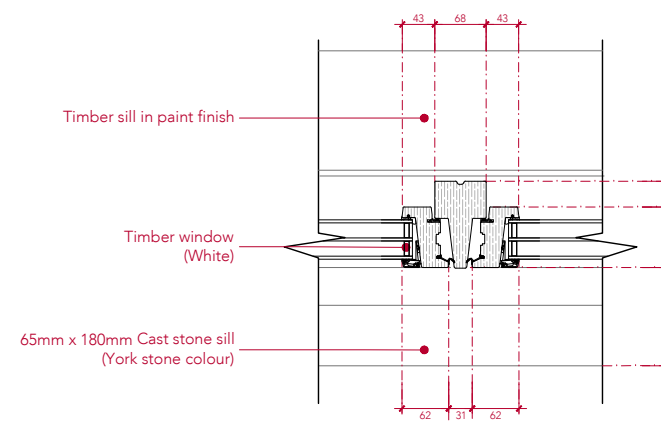
① A TYPICAL WINDOW HEAD
scale 1:10



① B TYPICAL WINDOW SILL
scale 1:10



① C TYPICAL WINDOW JAMB
scale 1:10



① D TYPICAL WINDOW MULLION JAMB
scale 1:10

This drawing is protected under Copyright and at no time should any portion of this drawing be reproduced or copied without the permission of the Architect. (Design Copyright Act 1968)

This drawing must not be used for purposes other than that for which it is provided. It is supplied without liability for any errors or omissions.

Drawings only to be scaled for planning application purposes, all dimensions to be checked on site. All drawings subject to Statutory Authority Approval.

Notes

A INFORMATION 04.06.2024
- INFORMATION 29.01.2024

No Rev Date

Status INFORMATION

TG STUDIO

ARCHITECTS + INTERIOR DESIGNERS

91A - 91B HEATH STREET
LONDON NW3 6SS
Tel 020 7636 3838

INFO WWW.TG-STUDIO.CO.UK

Project 26B NETHERHALL GARDENS
LONDON NW3 5TL

Date 29.01.2024 Scale @ A3 1:10 & 1:20

Drawing OPENING SCHEDULE
& DETAILS
WINDOW 2

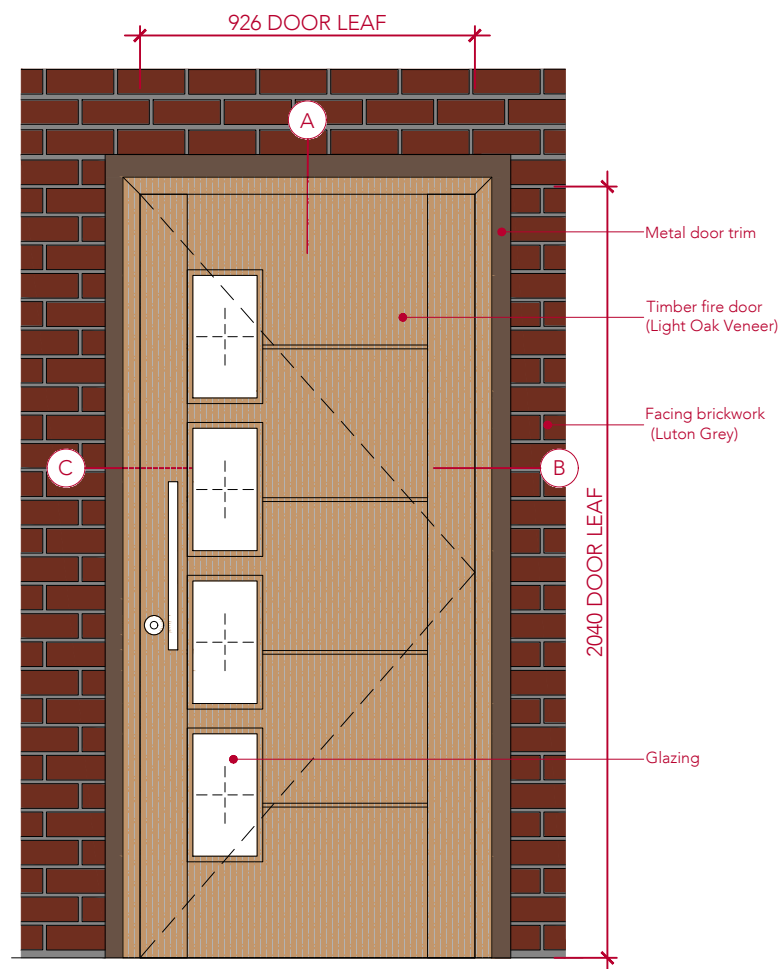
Drawn by RV Checked by TG

Job No. 263 Dwg No. A-551 Rev A

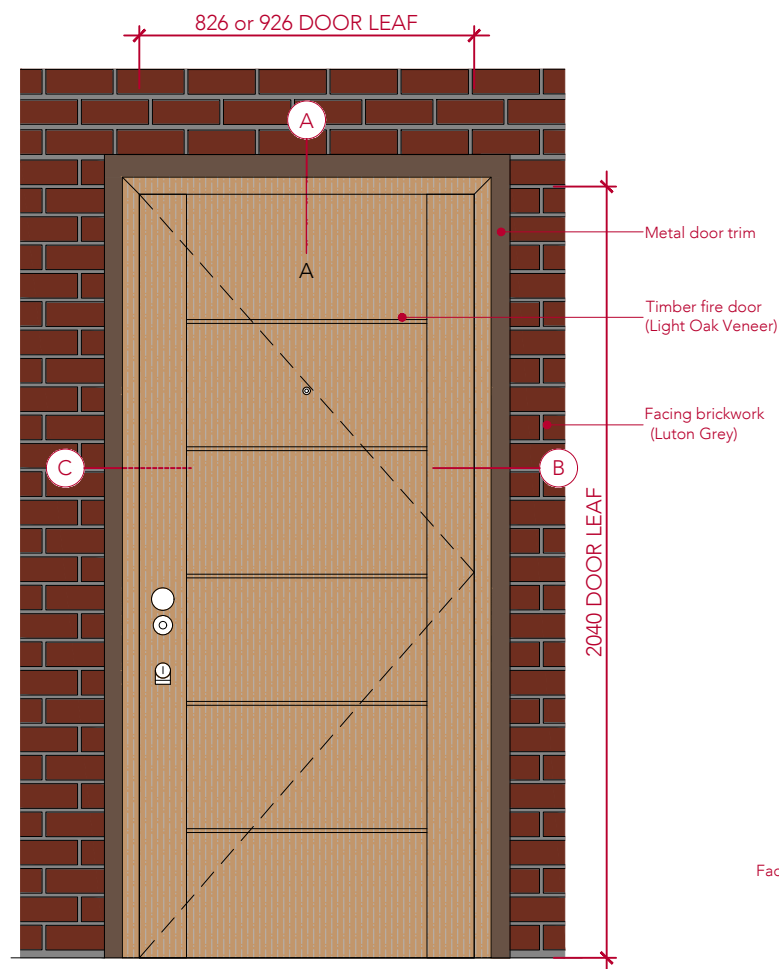
This drawing is protected under Copyright and at no time should any portion of this drawing be reproduced or copied without the permission of the Architect. (Design Copyright Act 1968)

This drawing must not be used for purposes other than that for which it is provided. It is supplied without liability for any errors or omissions.

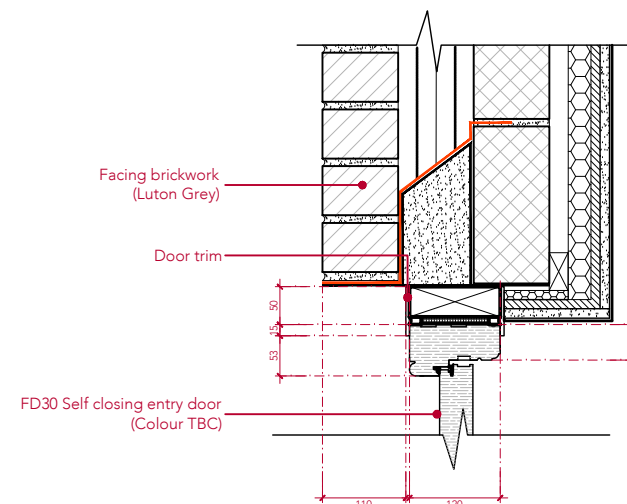
Drawings only to be scaled for planning application purposes, all dimensions to be checked on site. All drawings subject to Statutory Authority Approval.



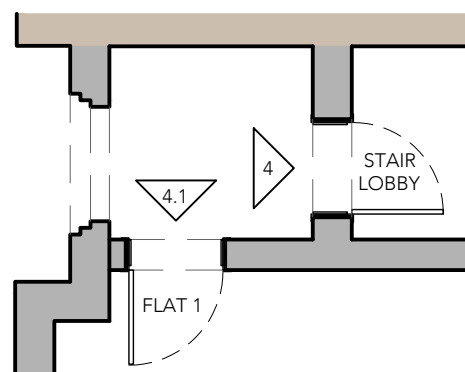
4 ENTRY DOOR D01 scale 1:20



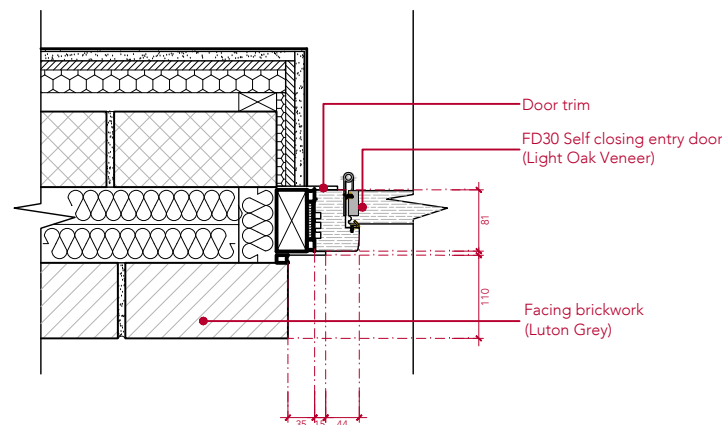
4.1 ENTRY DOOR D02 scale 1:20



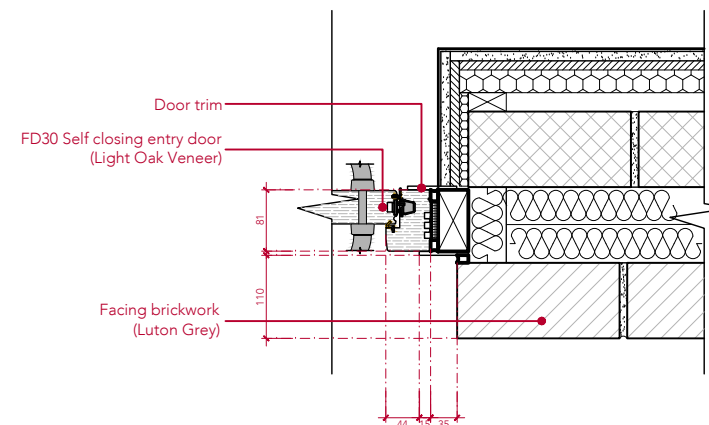
A ENTRY DOOR HEAD scale 1:10



GROUND FLOOR ENTRANCE PLAN



C ENTRY DOOR HINGE JAMB scale 1:10



B ENTRY DOOR HANDLE JAMB scale 1:10

Notes

No	Rev	Date
B		04.06.2024
A		10.04.2024
-		29.01.2024

STATUS INFORMATION



ARCHITECTS + INTERIOR DESIGNERS

91A - 91B HEATH STREET
LONDON NW3 6SS
Tel 020 7636 3838

INFO WWW.TG-STUDIO.CO.UK

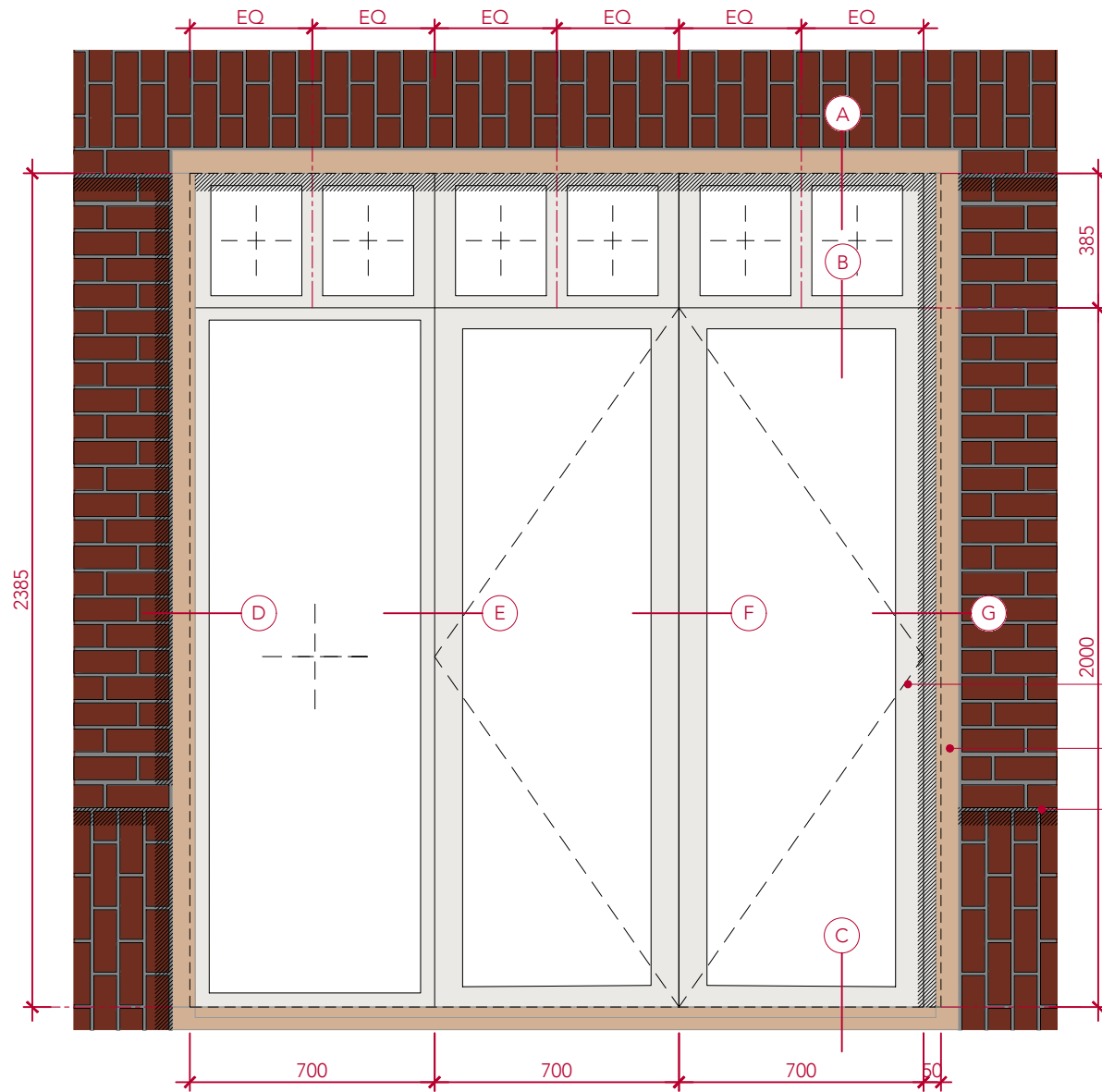
Project 26B NETHERHALL GARDENS
LONDON NW3 5TL

Date 29.01.2024 Scale @ A3 1:10 & 1:20

Drawing OPENING SCHEDULE
& DETAILS
ENTRY DOORS

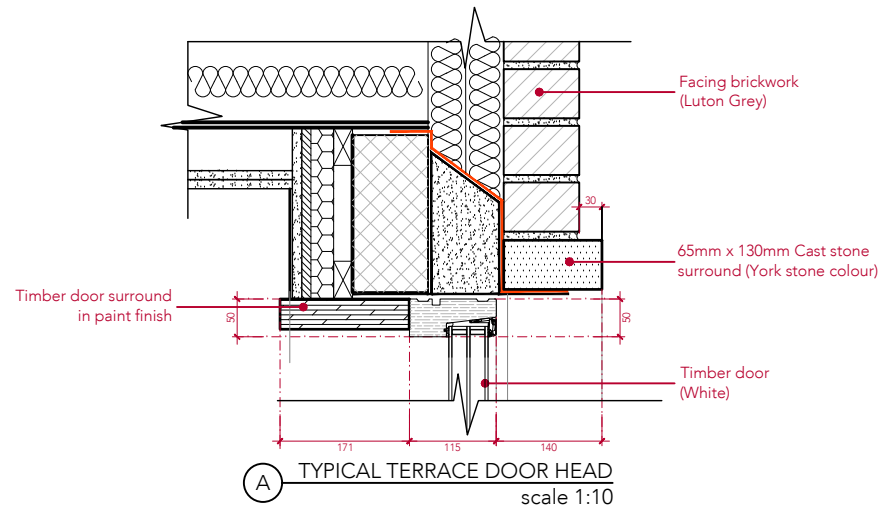
Drawn by RV Checked by TG

Job No. 263 Dwg No. A-553 Rev B

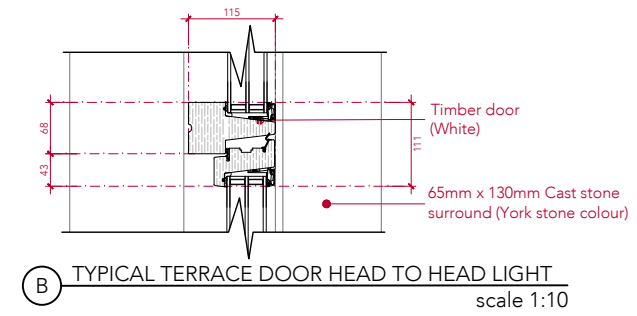


5 TERRACE DOOR ELEVATION WITH STONE SURROUND
scale 1:20

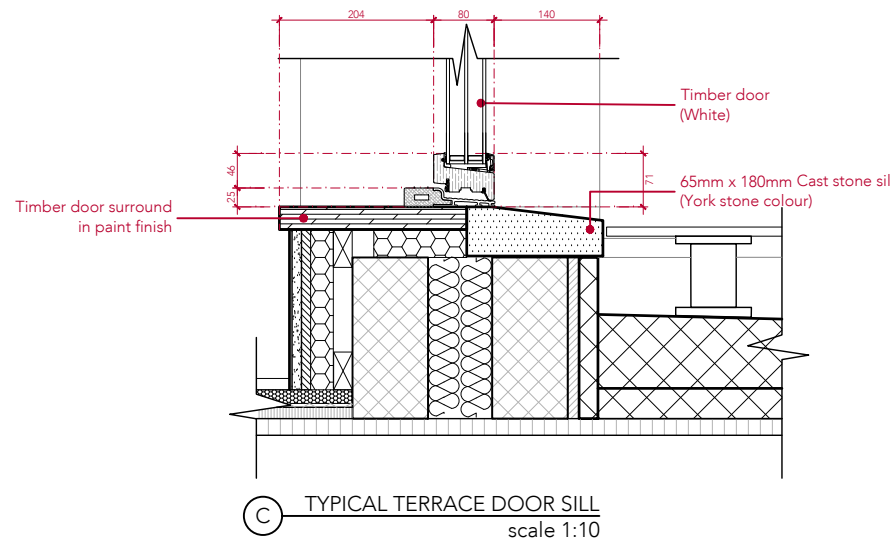
- A Timber window (White)
- B Cast stone surround (York stone colour)
- C Facing brickwork (Luton Grey)
- D Timber door surround in paint finish
- E Timber door (White)
- F 65mm x 130mm Cast stone surround (York stone colour)
- G 65mm x 180mm Cast stone sill (York stone colour)



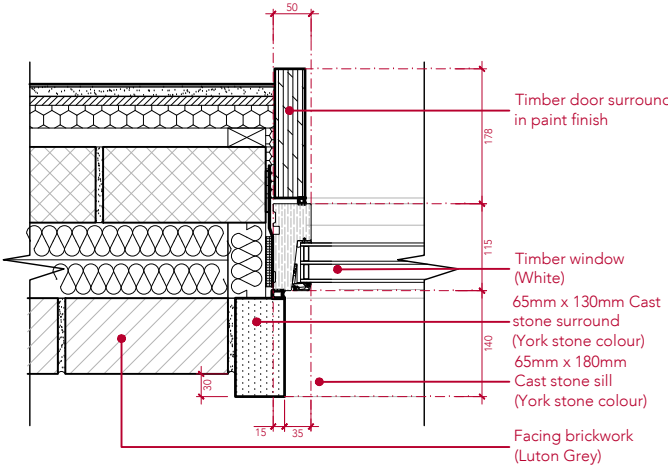
A TYPICAL TERRACE DOOR HEAD
scale 1:10



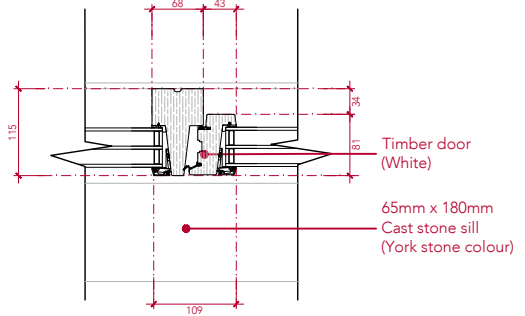
B TYPICAL TERRACE DOOR HEAD TO HEAD LIGHT
scale 1:10



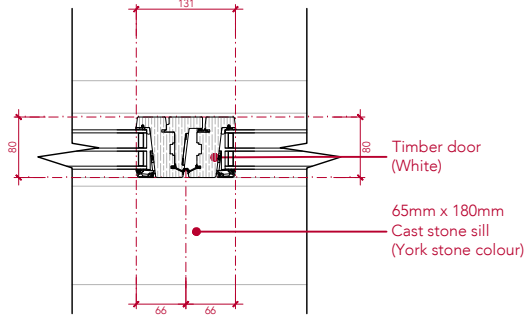
C TYPICAL TERRACE DOOR SILL
scale 1:10



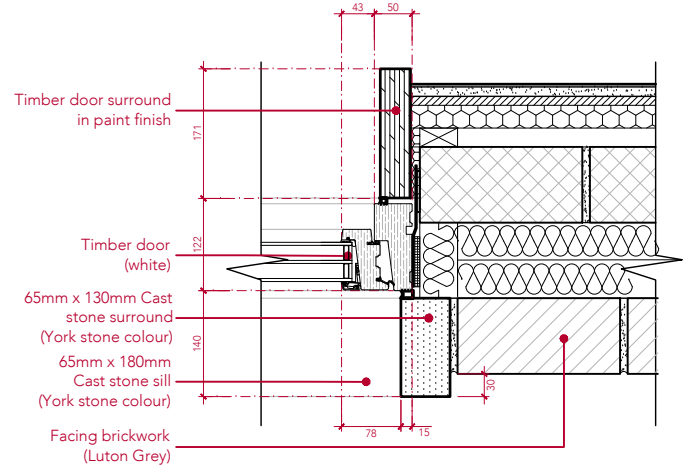
D TYPICAL TERRACE DOOR JAMB
scale 1:10



E TYPICAL TERRACE DOOR JAMB TO SIDE LIGHT
scale 1:10



F TYPICAL TERRACE DOOR MIDDLE JUNCTION
scale 1:10



G TYPICAL TERRACE DOOR JAMB
scale 1:10

This drawing is protected under Copyright and at no time should any portion of this drawing be reproduced or copied without the permission of the Architect. (Design Copyright Act 1968)

This drawing must not be used for purposes other than that for which it is provided. It is supplied without liability for any errors or omissions.

Drawings only to be scaled for planning application purposes, all dimensions to be checked on site. All drawings subject to Statutory Authority Approval.

No	Rev	Date
A	INFORMATION	04.06.2024
-	INFORMATION	29.01.2024

STATUS INFORMATION



ARCHITECTS + INTERIOR DESIGNERS

91A - 91B HEATH STREET
LONDON NW3 6SS
Tel 020 7636 3838

INFO WWW.TG-STUDIO.CO.UK

Project 26B NETHERHALL GARDENS
LONDON NW3 5TL

Date	29.01.2024	Scale @ A3	1:10 & 1:20
------	------------	------------	-------------

DRAWING INFORMATION
DRAWING OPENING SCHEDULE & DETAILS
TERRACE DOOR

Drawn by	RV	Checked by	TG
Job No.	263	Dwg No.	A-554
		Rev	A