

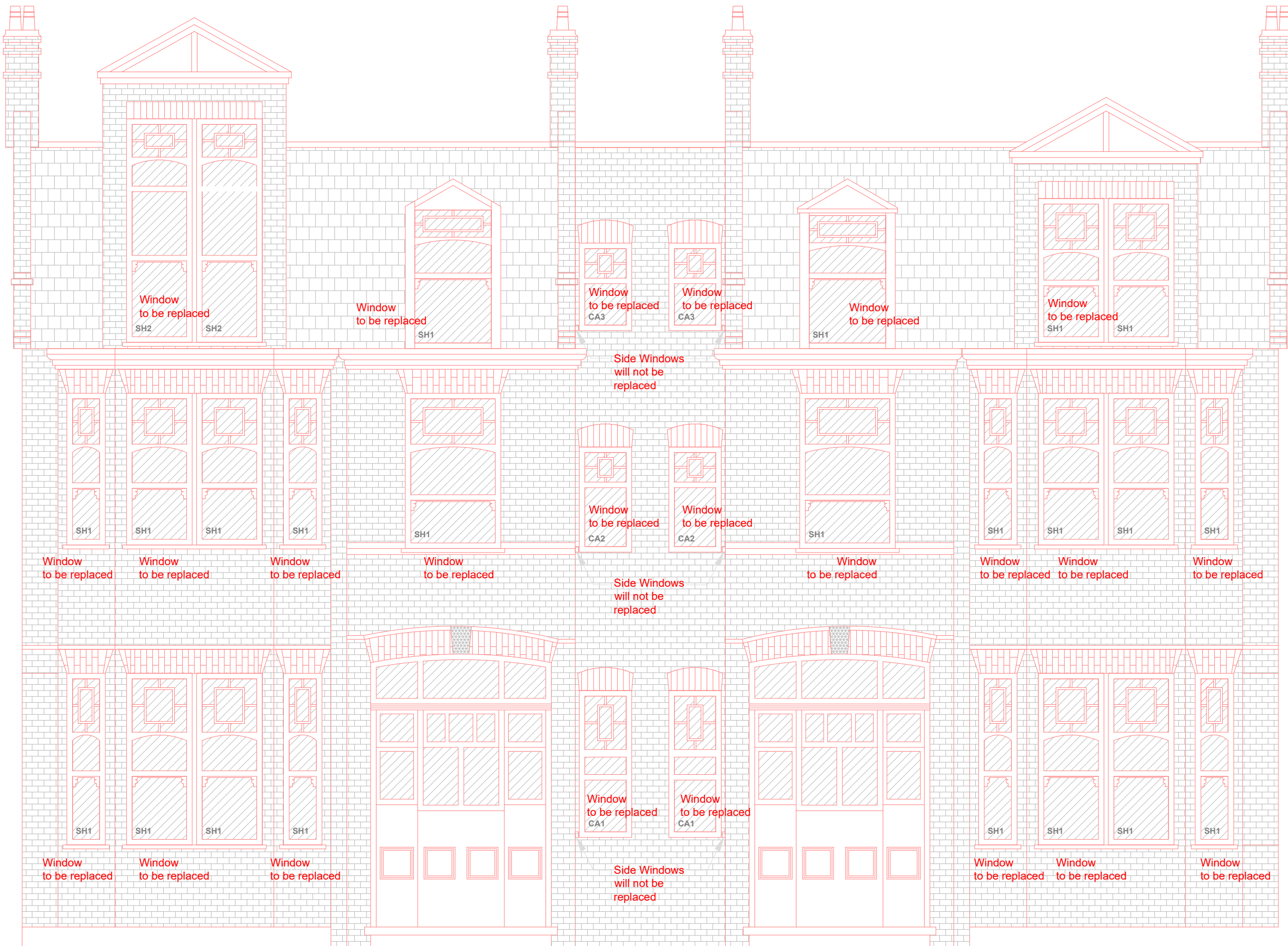


EXISTING FRONT ELEVATION
Scale 1:50

Dimensions to be verified on site. Only figured dimensions to be used and any discrepancies in dimensions are to be reported to the engineer. No dimensions are to be scaled from printed drawings. Any areas indicated on this drawing are for guidance only. No responsibility is taken for their accuracy.

Rev:	Description:	Date:	By:

Pawel Lasak Structure Engineer MICE CEng	
Property : COMPLESTON HOUSE 221 - 223 GOLDHURST TERRACE LONDON NW6 3EP	
scale	: 1:50 / A3
date	: FEBRUARY 2024
rev	: 0
drawing number	: CA 109.6 S01
drawn by	: PL
drawing title	: EXISTING FRONT ELEVATION



Note:
 SH1 and SH2 - Sash Windows
 CA1, CA2 and CA3 - Casement Windows

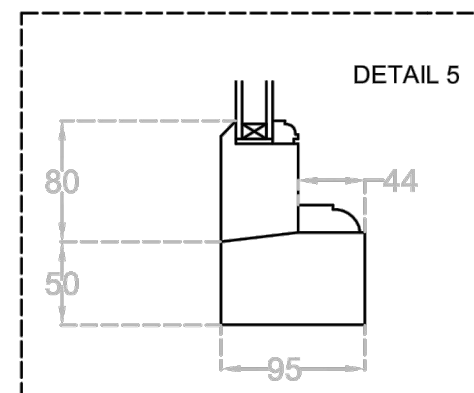
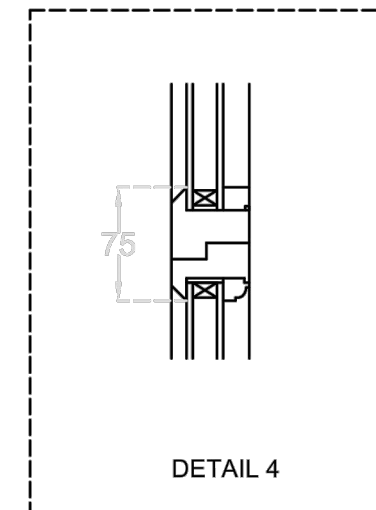
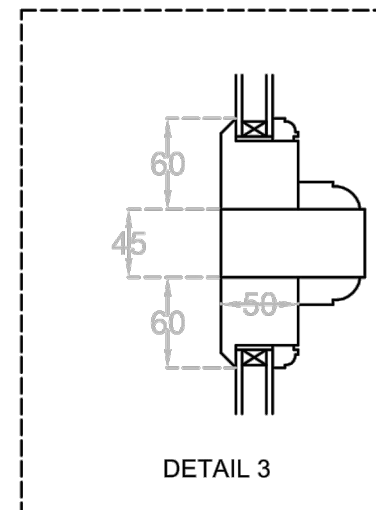
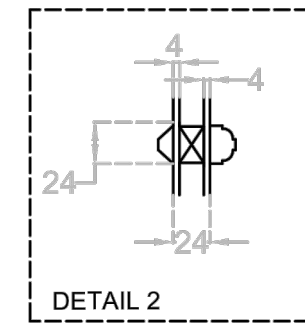
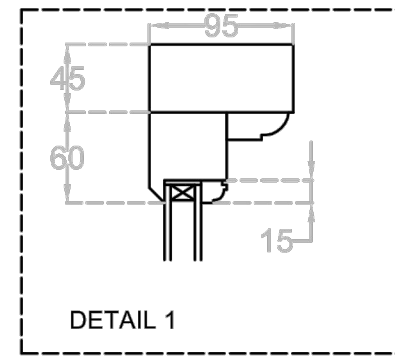
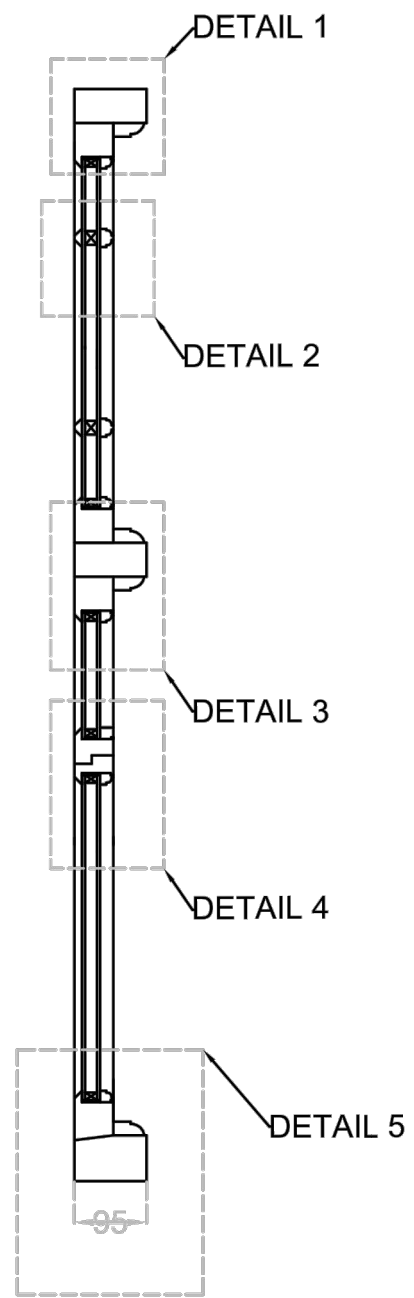
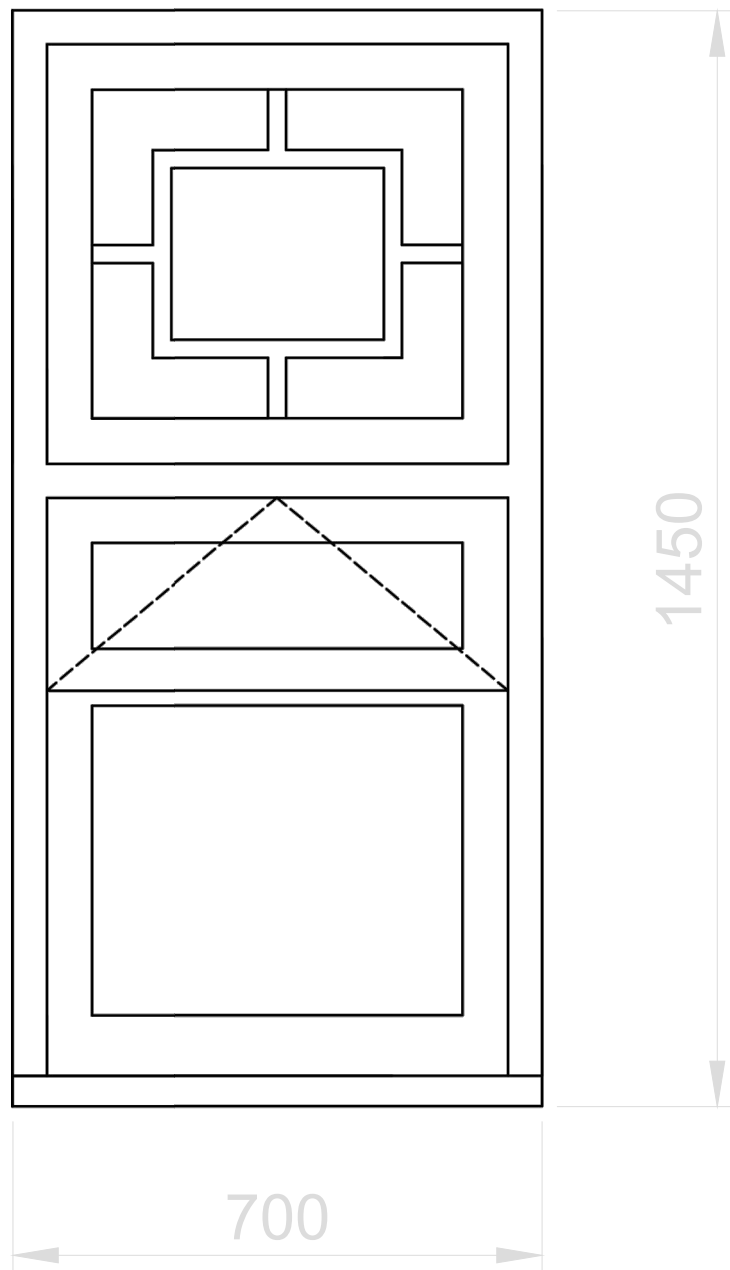
PROPOSED FRONT ELEVATION

Scale 1:50

Dimensions to be verified on site. Only figured dimensions to be used and any discrepancies in dimensions are to be reported to the engineer. No dimensions are to be scaled from printed drawings. Any areas indicated on this drawing are for guidance only. No responsibility is taken for their accuracy.

Rev:	Description:	Date:	By:

Pawel Lasak Structure Engineer MICE CEng	
Property : COMPLESTON HOUSE 221 - 223 GOLDHURST TERRACE LONDON NW6 3EP	
scale :	1:50 / A3
date :	FEBRUARY 2024
rev :	0
drawing number :	CA 109.6 S02
drawn by :	PL
drawing title :	PROPOSED FRONT ELEVATION

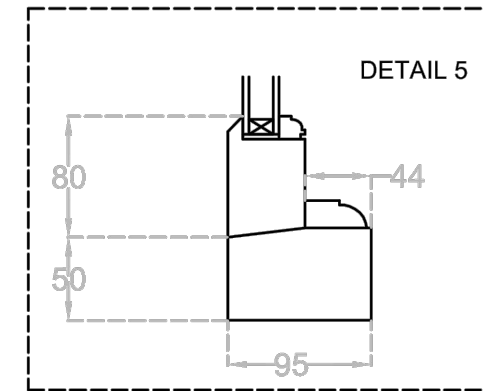
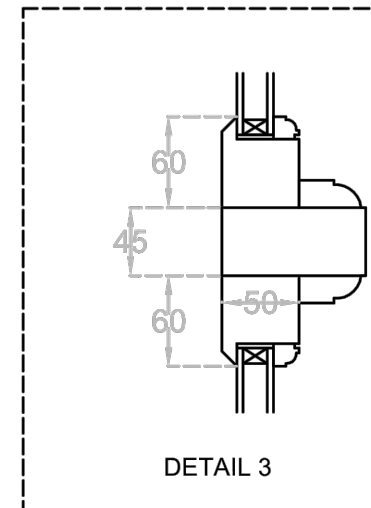
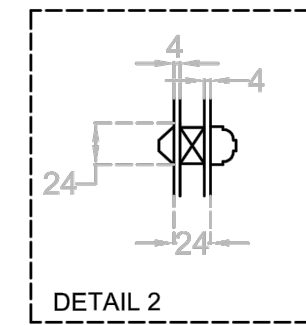
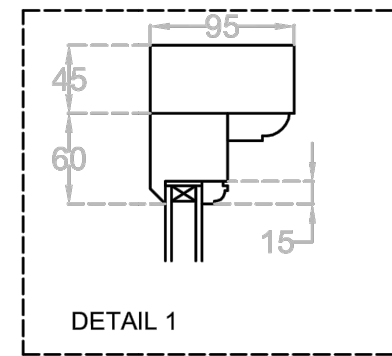
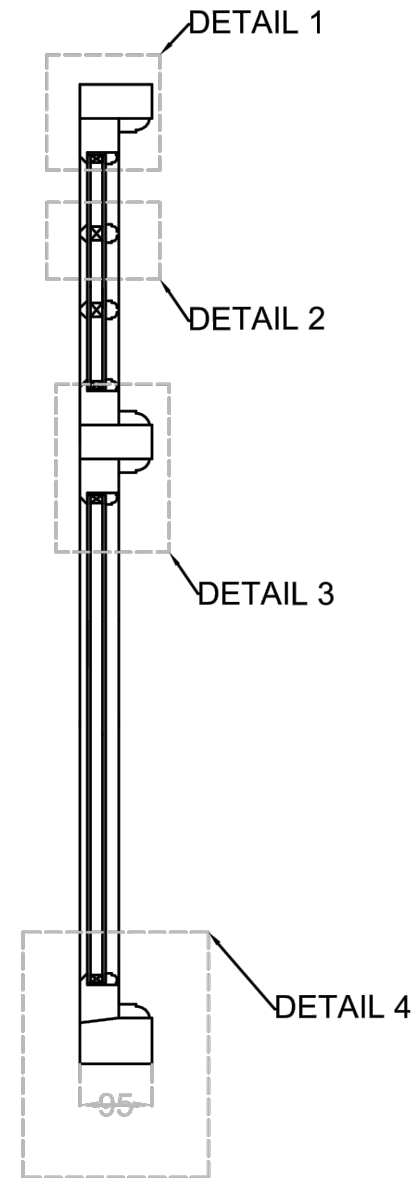
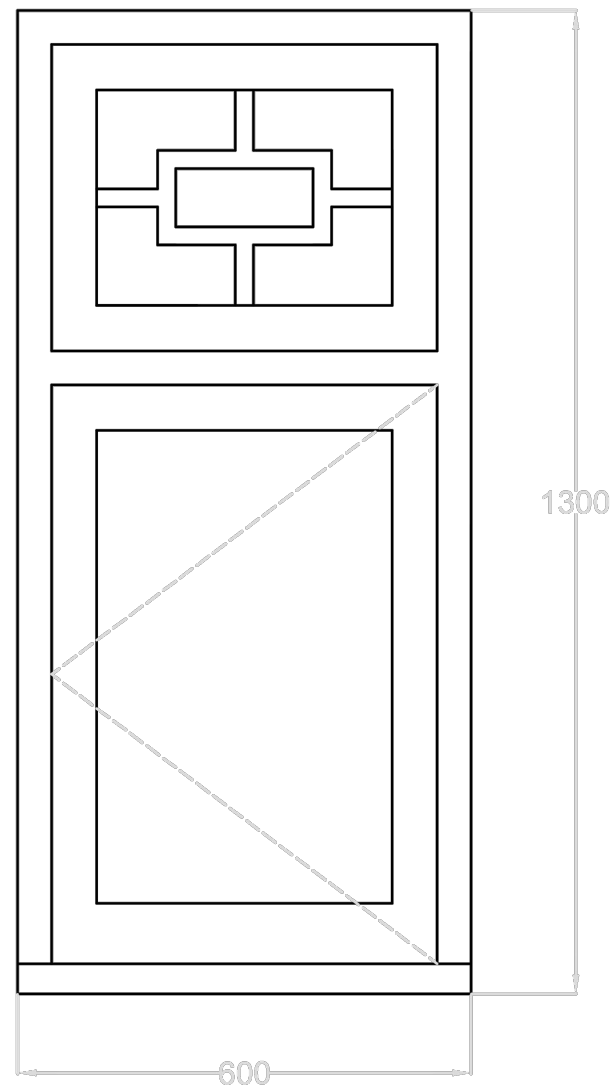


Window Details CA1 Scale 1:10

Dimensions to be verified on site. Only figured dimensions to be used and any discrepancies in dimensions are to be reported to the engineer. No dimensions are to be scaled from printed drawings. Any areas indicated on this drawing are for guidance only. No responsibility is taken for their accuracy.

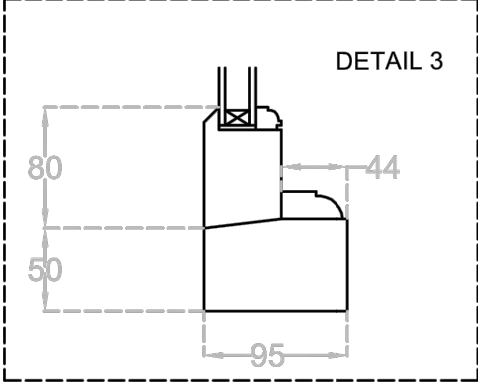
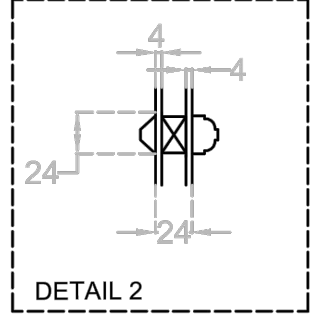
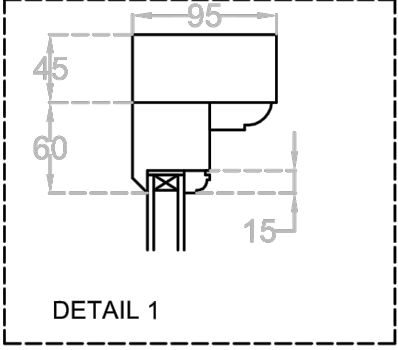
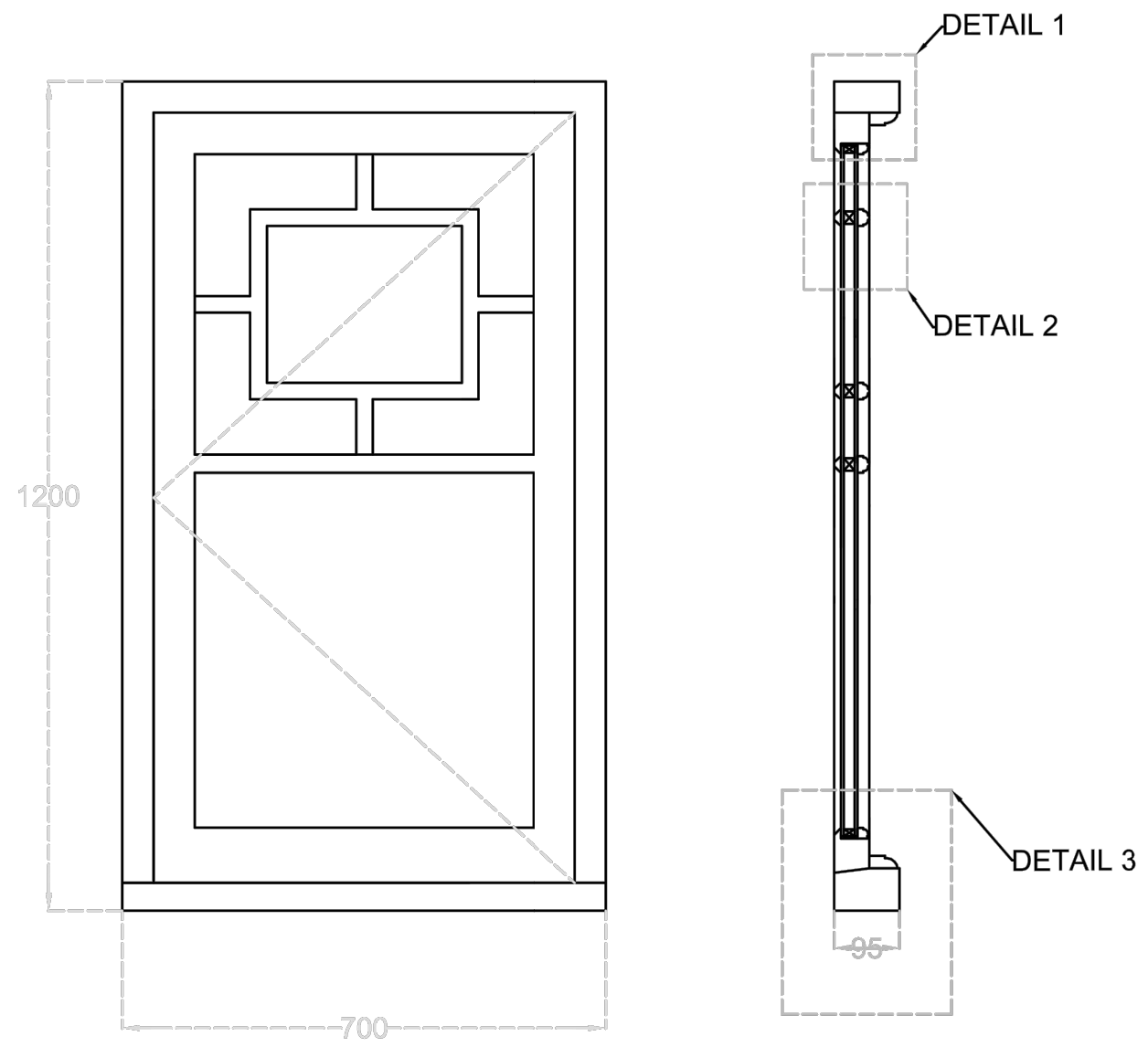
Rev:	Description:	Date:	By:

Pawel Lasak Structure Engineer MICE CEng	
Property : COMPLESTON HOUSE 221 - 223 GOLDHURST TERRACE LONDON NW6 3EP	
scale	: 1:10 / A3
date	: FEBRUARY 2024
rev	: 0
drawing number	: CA 109.6 S03
drawn by	: PL
drawing title	: PROPOSED WINDOWS DETAILS CA1



Dimensions to be verified on site. Only figured dimensions to be used and any discrepancies in dimensions are to be reported to the engineer. No dimensions are to be scaled from printed drawings. Any areas indicated on this drawing are for guidance only. No responsibility is taken for their accuracy.

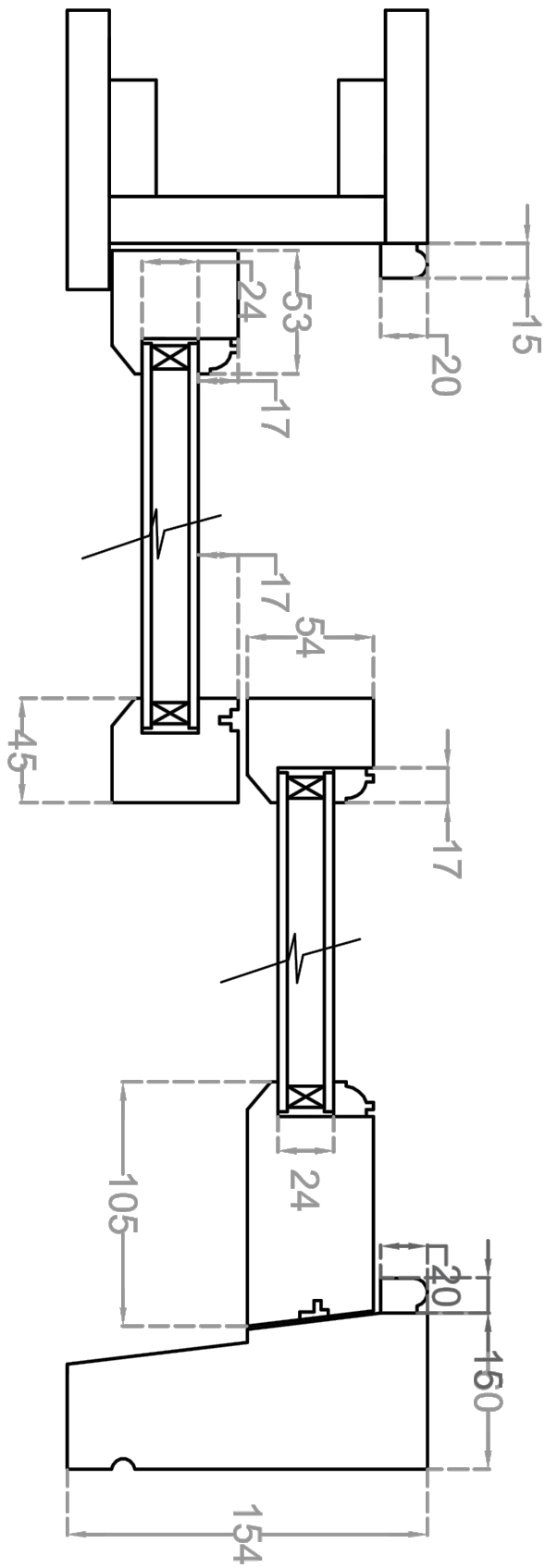
Rev:	Description:	Date:	By:
Pawel Lasak Structure Engineer MICE CEng			
Property : COMPLESTON HOUSE 221 - 223 GOLDHURST TERRACE LONDON NW6 3EP			
scale	:	1:10 / A3	
date	:	FEBRUARY 2024	
rev	:	0	
drawing number	:	CA 109.6 S04	
drawn by	:	PL	
drawing title	:	PROPOSED WINDOWS DETAILS CA2	



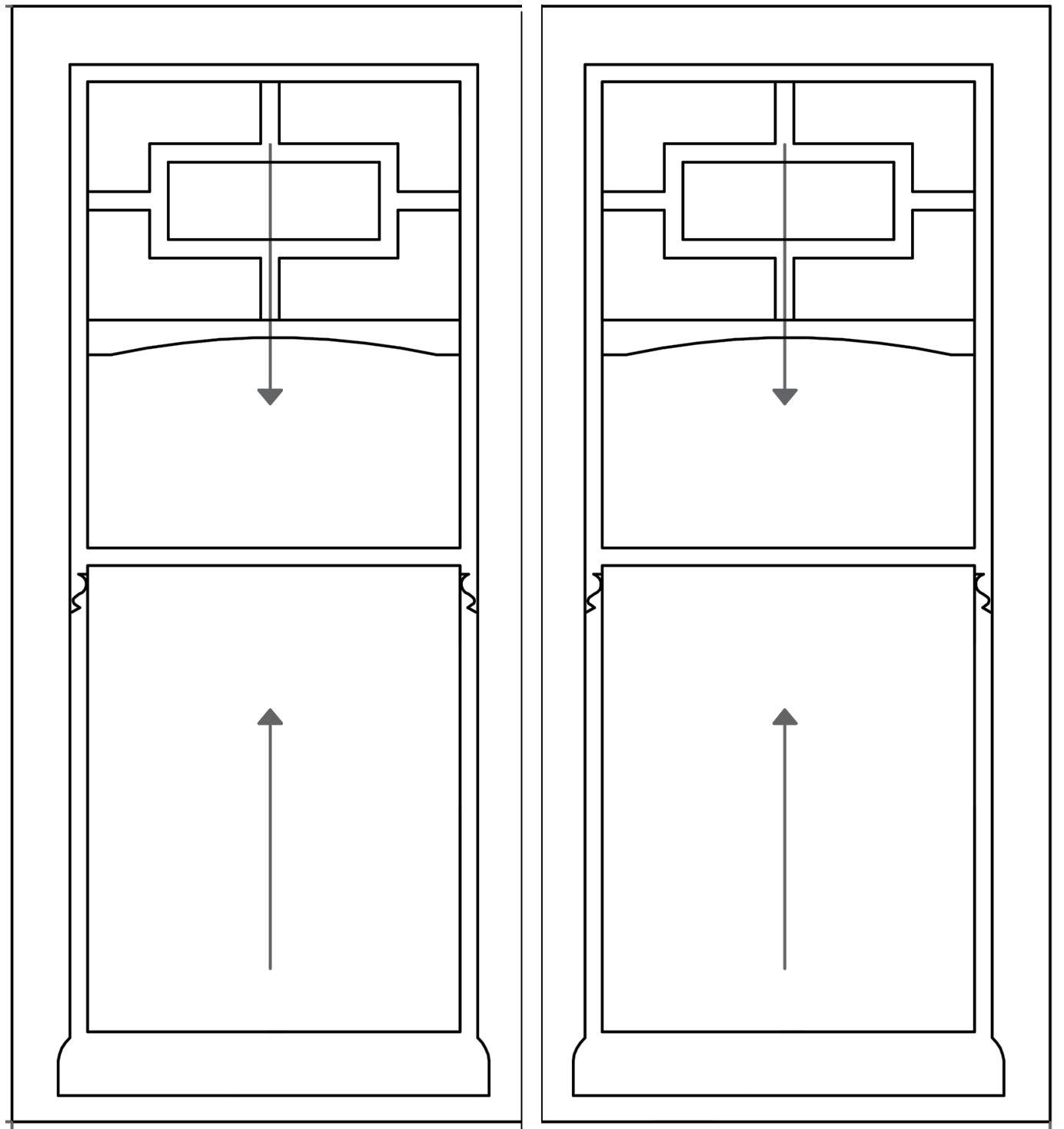
Window Details CA3 Scale 1:10

Dimensions to be verified on site. Only figured dimensions to be used and any discrepancies in dimensions are to be reported to the engineer. No dimensions are to be scaled from printed drawings. Any areas indicated on this drawing are for guidance only. No responsibility is taken for their accuracy.

Rev:	Description:	Date:	By:
Pawel Lasak Structure Engineer MICE CEng			
Property : COMPLESTON HOUSE 221 - 223 GOLDHURST TERRACE LONDON NW6 3EP			
scale	:	1:10 & 1:5 / A3	
date	:	FEBRUARY 2024	
rev	:	0	
drawing number	:	CA 109.6 S05	
drawn by	:	PL	
drawing title	:	PROPOSED WINDOWS' DETAILS 1	

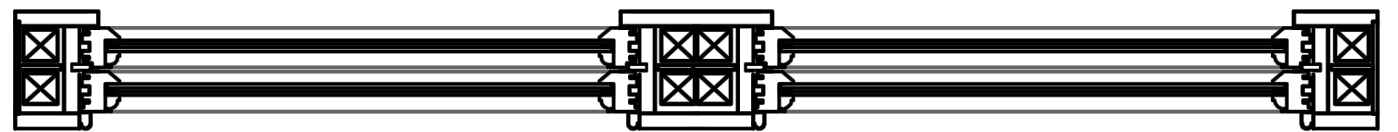


SIDE VIEW SECTION



Notes:

All sash windows have the same structure and have different dimensions
 Double sash windows consist of two separate windows

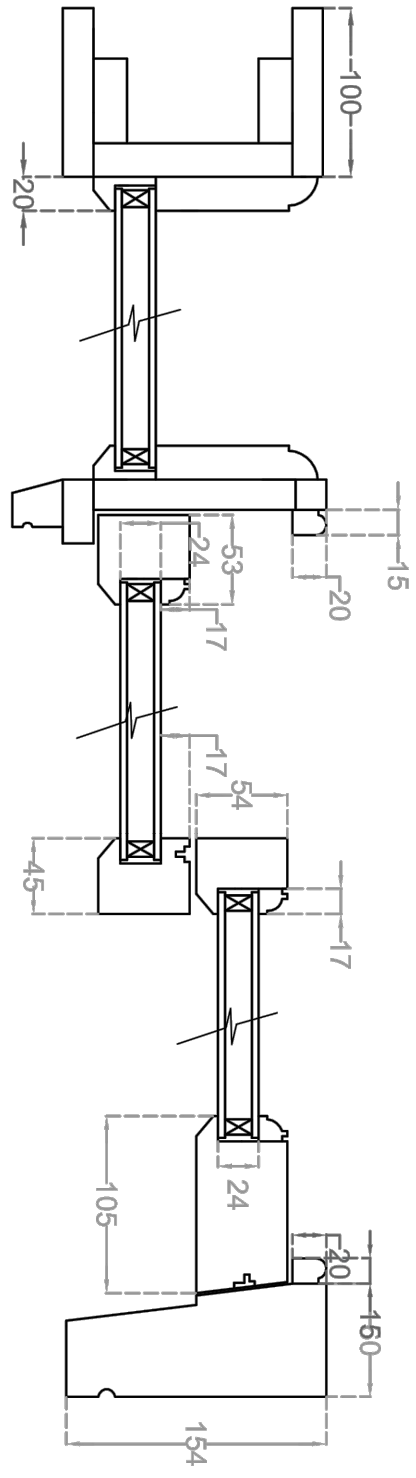


TOP VIEW
Window Details
SH1
 Scale 1:10

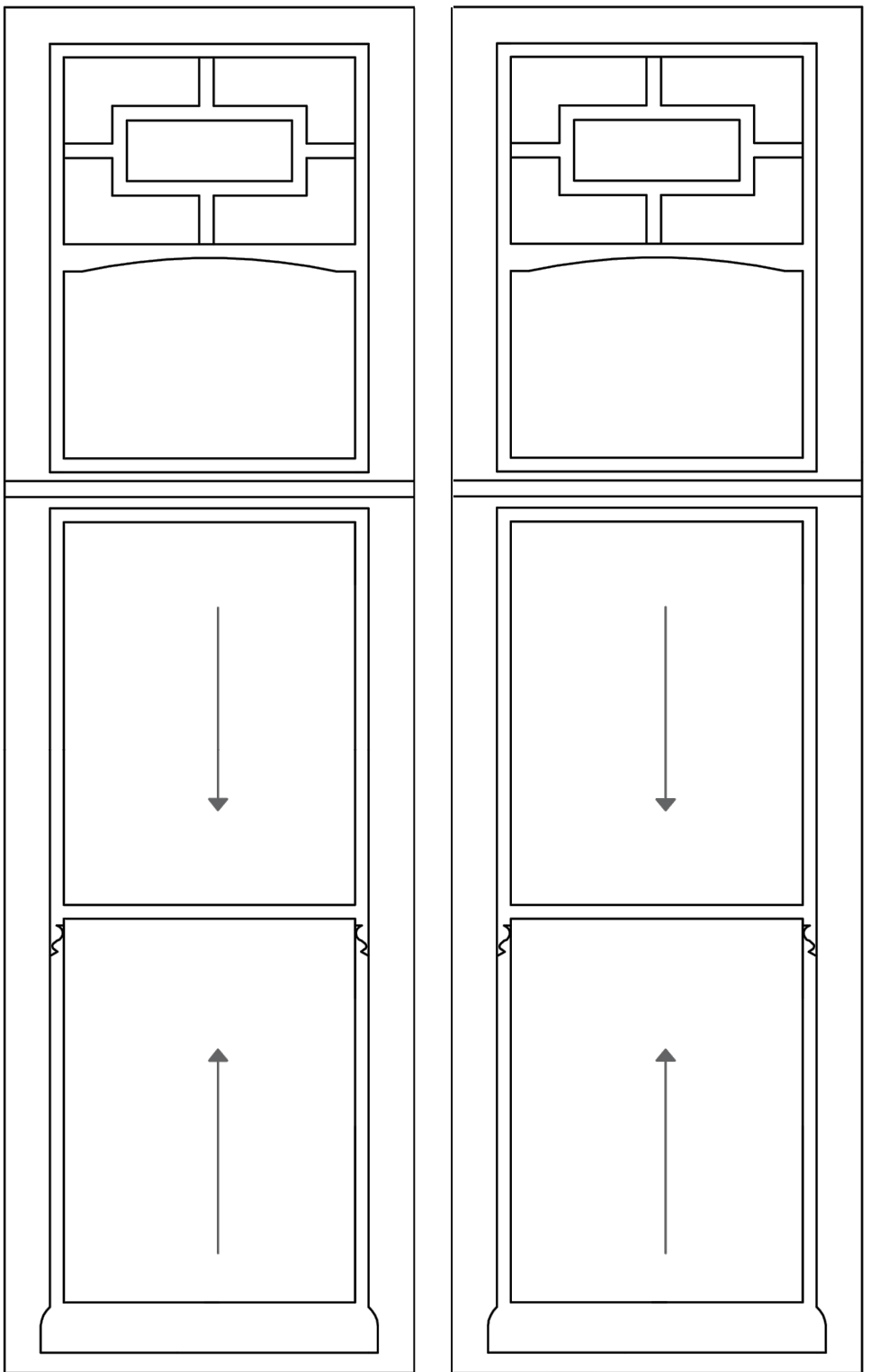
Rev:	Description:	Date:	By:

Pawel Lasak Structure Engineer MICE CEng	
Property : COMPLESTON HOUSE 221 - 223 GOLDHURST TERRACE LONDON NW6 3EP	
scale	: 1:10 / A3
date	: FEBRUARY 2024
rev	: 0
drawing number	: CA 109.6 S06
drawn by	: PL
drawing title	: PROPOSED WINDOWS DETAILS SH1

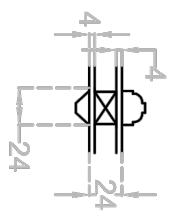
Dimensions to be verified on site. Only figured dimensions to be used and any discrepancies in dimensions are to be reported to the engineer. No dimensions are to be scaled from printed drawings. Any areas indicated on this drawing are for guidance only. No responsibility is taken for their accuracy.



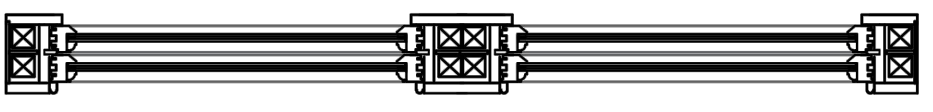
SIDE VIEW SECTION



ELEVATION VIEW



GLAZING DETAIL



TOP VIEW **Window Details SH2**
Scale 1:10

Notes:
 All sash windows have the same structure and have different dimensions
 Double sash windows consist of two separate windows

Rev:	Description:	Date:	By:

Pawel Lasak Structure Engineer MICE CEng	
Property : COMPLESTON HOUSE 221 - 223 GOLDHURST TERRACE LONDON NW6 3EP	
scale	: 1:10 / A3
date	: FEBRUARY 2024
rev	: 0
drawing number	: CA 109.6 S04
drawn by	: PL
drawing title	: PROPOSED WINDOWS DETAILS SH2

Dimensions to be verified on site. Only figured dimensions to be used and any discrepancies in dimensions are to be reported to the engineer. No dimensions are to be scaled from printed drawings. Any areas indicated on this drawing are for guidance only. No responsibility is taken for their accuracy.