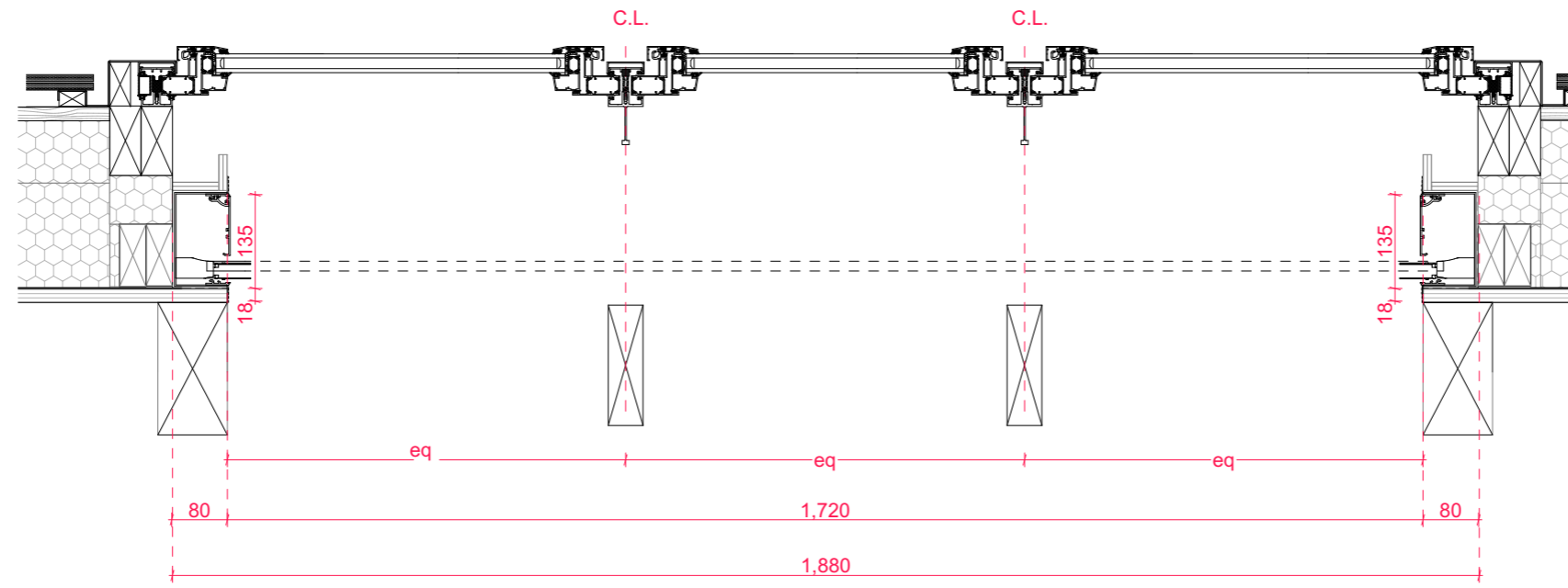
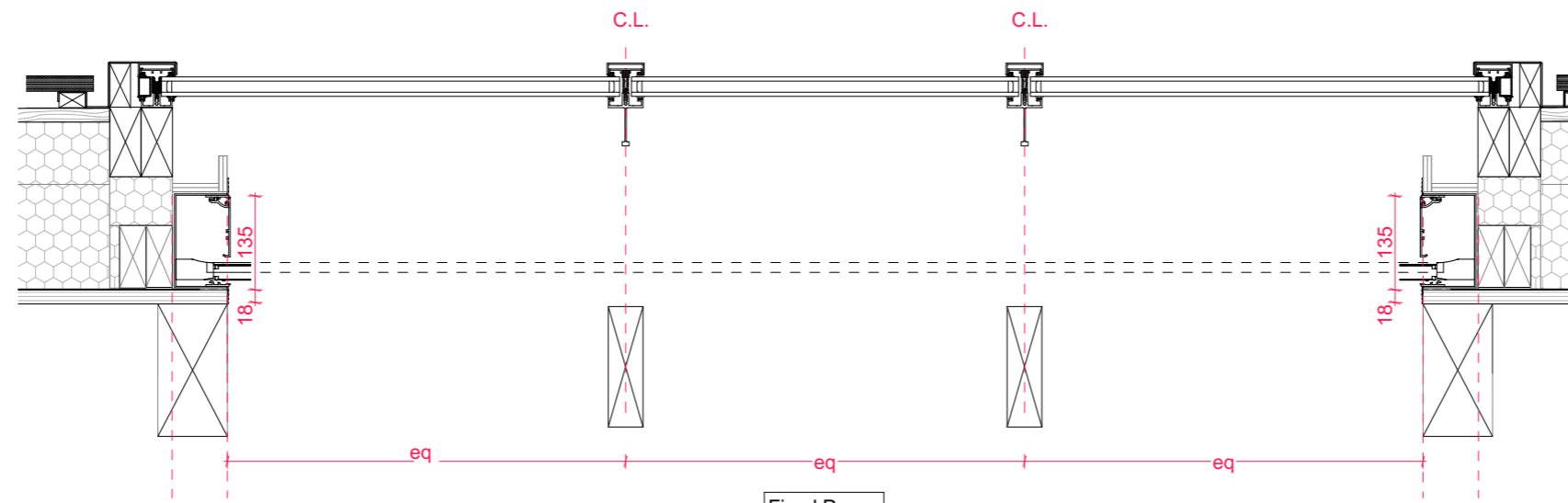


Job Title	12 Whidborne Street
Client	TRAMPS
Status	TENDER
Format	A3
Scale	1:10 @ A3
Drawn by	
Date	



Openable Vents



Fixed Panes

D-10

Skylight Detail Cross Sections

1:10

Revision	Description	Date
----------	-------------	------

Architect **trevor
horne
architects**
EG2 Norway Wharf
24 Hertford Road
London
N1 5QT
t: 020 7253 0600
e: info@trevorhorne.com

**Skylight Detail
Cross Section**

23224/CON502