

NOTES:

- A: NATURAL STONE PAVING FLOOR FINISH
- B: NATURAL STONE FINISH TO ALL TREADS AND RISERS - BULLNOSE FINISH
- C: PERMEABLE BRICK FLOOR FINISH
- D: EXISTING WALL, MADE GOOD
- E: NATURAL STONE COPING AND METAL BALUSTRADE
- F: INDIAN SAND STONE TILED FLOOR FINISH
- G: ACO DRAIN
- H: EXISTING POST, BRICK CLEANED + STONE COPING REPAIRED AND ALIGNED
- I: NEW POST BOXES

This drawing is protected under Copyright and at no time should any portion of this drawing be reproduced or copied without the permission of the Architect. (Design Copyright Act 1968)

This drawing must not be used for purposes other than that for which it is provided. It is supplied without liability for any errors or omissions.

Drawings only to be scaled for planning application purposes, all dimensions to be checked on site. All drawings subject to Statutory Authority Approval.

No	Rev	Date
3	REVISION	05.02.24
2	REVISION	23.11.23
1	PLANNING	12.09.23

Status **PLANNING**



ARCHITECTS + INTERIOR DESIGNERS

91A - 91B HEATH STREET
LONDON NW3 6SS
Tel 020 7 636 3838

INFO WWW.TG-STUDIO.CO.UK

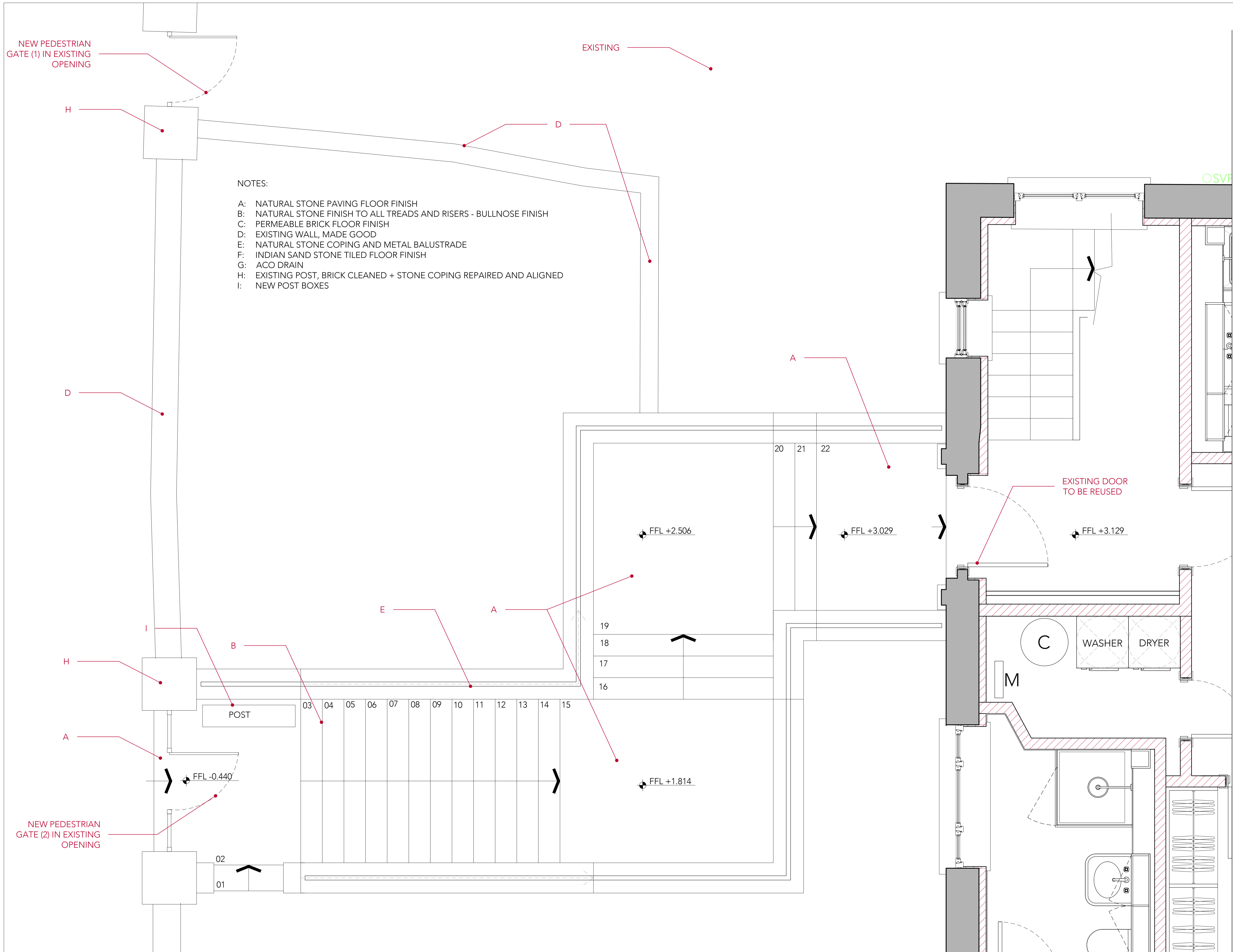
Project: 26 NETHERHALL GARDENS
NW3 5TL

Date	12.09.23	Scale	1:20 1:40	⊙ A1 ⊙ A3
------	----------	-------	--------------	--------------

Drawing: LOWER GROUND FLOOR PLAN
ENTRANCE STAIRS

Drawn by	IV	Checked by	TG
----------	----	------------	----

Job No.	261	Dwg No.	P-520	Rev	3
---------	-----	---------	-------	-----	---



- NOTES:
- A: NATURAL STONE PAVING FLOOR FINISH
 - B: NATURAL STONE FINISH TO ALL TREADS AND RISERS - BULLNOSE FINISH
 - C: PERMEABLE BRICK FLOOR FINISH
 - D: EXISTING WALL, MADE GOOD
 - E: NATURAL STONE COPING AND METAL BALUSTRADE
 - F: INDIAN SAND STONE TILED FLOOR FINISH
 - G: ACO DRAIN
 - H: EXISTING POST, BRICK CLEANED + STONE COPING REPAIRED AND ALIGNED
 - I: NEW POST BOXES

This drawing is protected under Copyright and at no time should any portion of this drawing be reproduced or copied without the permission of the Architect. (Design Copyright Act 1968)

This drawing must not be used for purposes other than that for which it is provided. It is supplied without liability for any errors or omissions.

Drawings only to be scaled for planning application purposes, all dimensions to be checked on site. All drawings subject to Statutory Authority Approval.

No	Rev	Date
3	REVISION	05.02.24
2	REVISION	23.11.23
1	PLANNING	12.09.23

Status **PLANNING**



ARCHITECTS + INTERIOR DESIGNERS

91A - 91B HEATH STREET
LONDON NW3 6SS
Tel 020 7636 3838
INFO WWW.TG-STUDIO.CO.UK

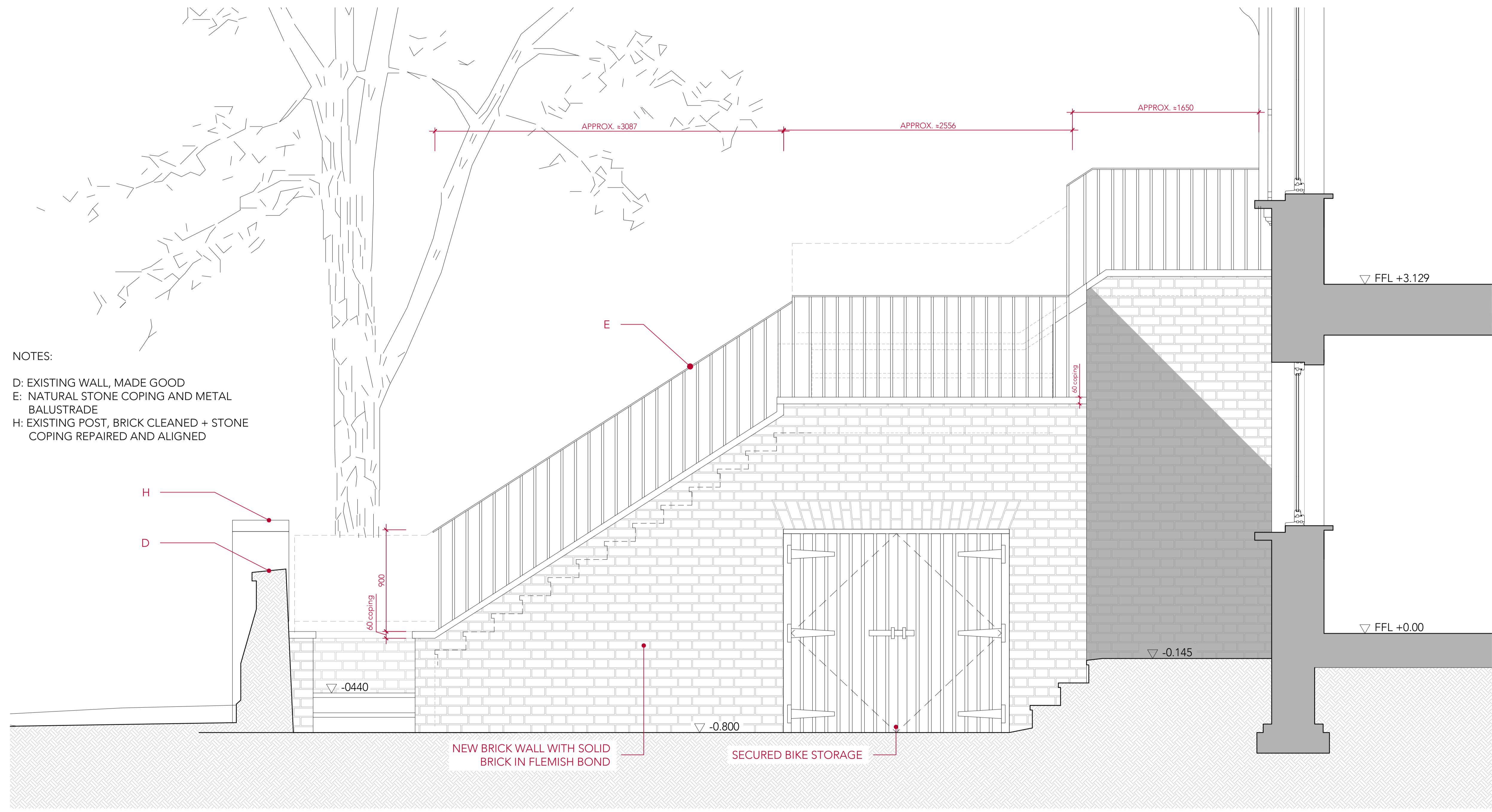
Project: 26 NETHERHALL GARDENS
NW3 5TL

Date	12.09.23	Scale	1:20 1:40	ⓐ A1 ⓐ A3
------	----------	-------	--------------	--------------

Drawing: GROUND FLOOR PLAN
ENTRANCE STAIRS

Drawn by	IV	Checked by	TG
----------	----	------------	----

Job No.	261	Dwg No.	P-521	Rev	3
---------	-----	---------	-------	-----	---



NOTES:
 D: EXISTING WALL, MADE GOOD
 E: NATURAL STONE COPING AND METAL BALUSTRADE
 H: EXISTING POST, BRICK CLEANED + STONE COPING REPAIRED AND ALIGNED



This drawing is protected under Copyright and at no time should any portion of this drawing be reproduced or copied without the permission of the Architect. (Design Copyright Act 1968)

This drawing must not be used for purposes other than that for which it is provided. It is supplied without liability for any errors or omissions.

Drawings only to be scaled for planning application purposes, all dimensions to be checked on site. All drawings subject to Statutory Authority Approval.

No	Rev	Date
4	REVISION	24.05.24
3	REVISION	05.02.24
2	REVISION	23.11.23
1	PLANNING	12.09.23

Status **PLANNING**

TG STUDIO
 ARCHITECTS + INTERIOR DESIGNERS

91A - 91B HEATH STREET
 LONDON NW3 6SS
 Tel 020 7636 3838
 INFO WWW.TG-STUDIO.CO.UK

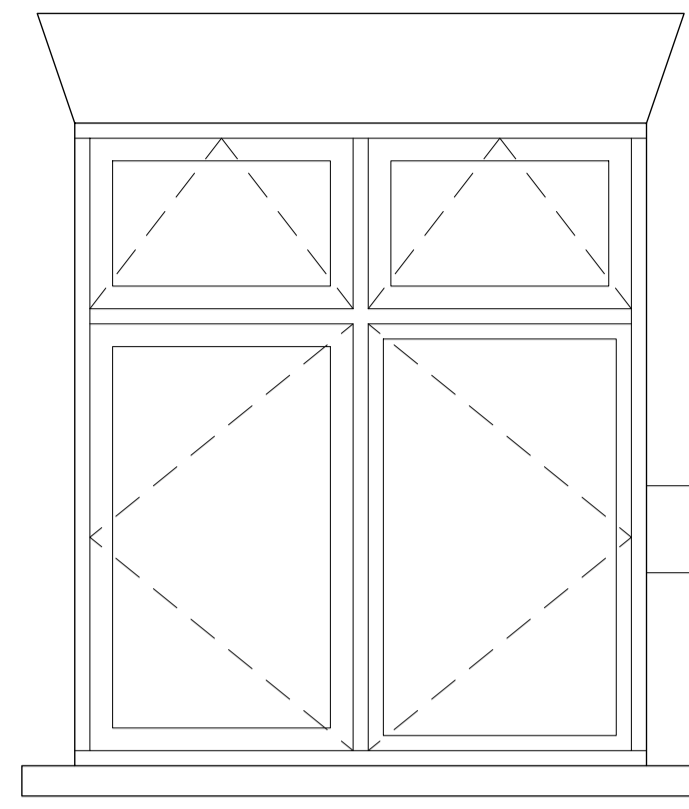
Project: 26 NETHERHALL GARDENS
 NW3 5TL

Date	Scale	Sheet
12.09.23	1:20	@ A1
	1:40	@ A3

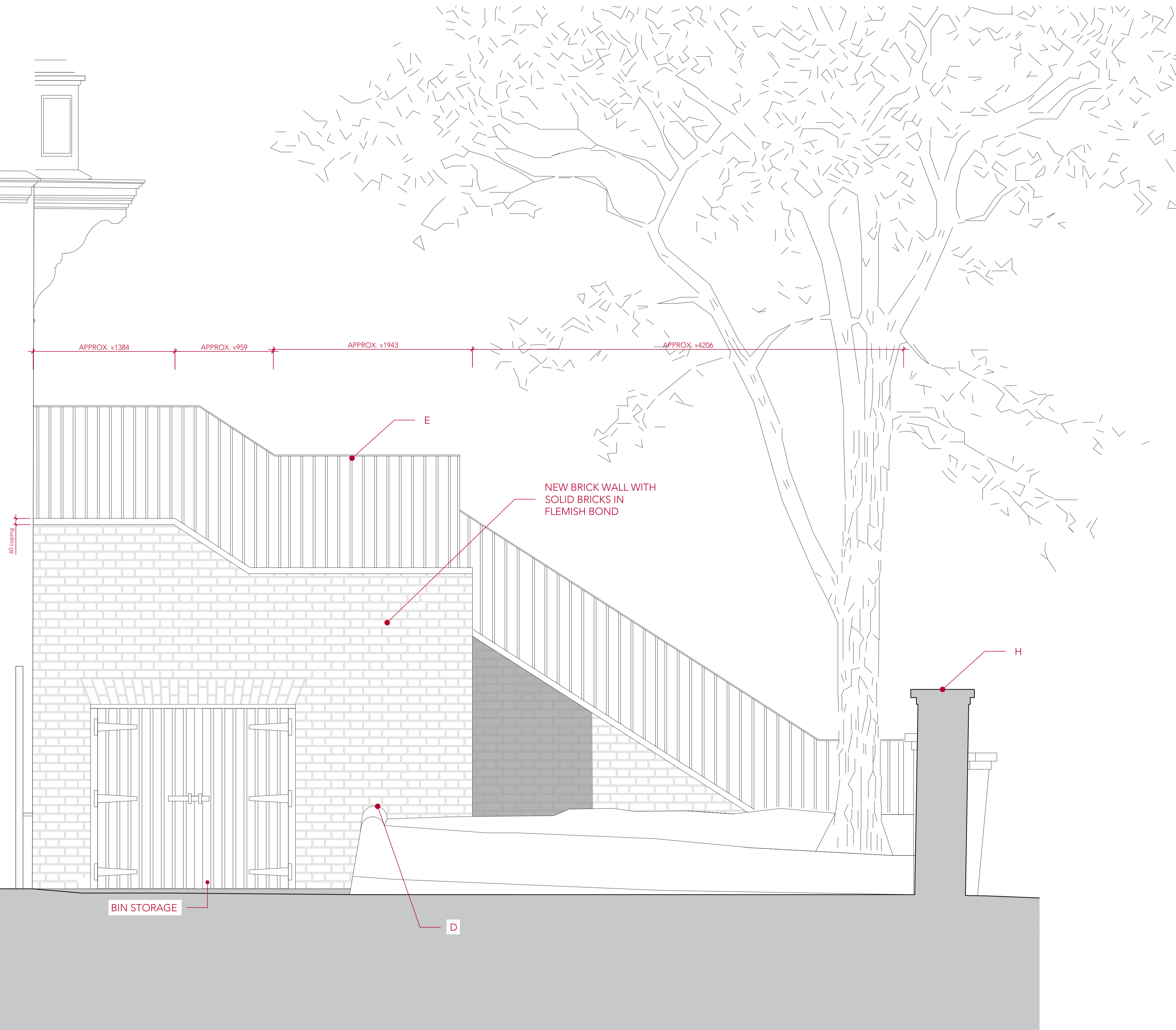
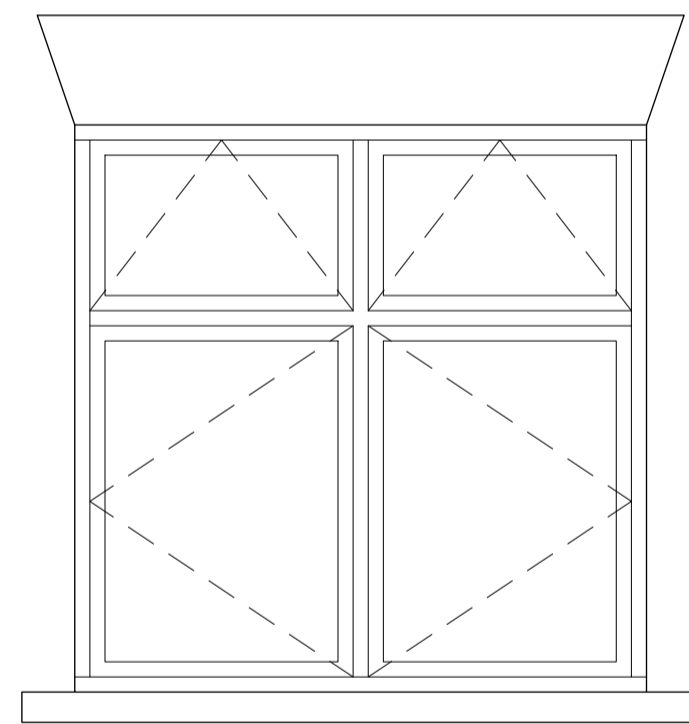
Drawing: ELEVATION 1
 ENTRANCE STAIRS

Drawn by	Checked by
IV	TG

Job No.	Dwg No.	Rev
261	P-522	4



NOTES:
 D: EXISTING WALL, MADE GOOD
 E: NATURAL STONE COPING AND METAL BALUSTRADE
 H: EXISTING POST, BRICK CLEANED + STONE COPING REPAIRED AND ALIGNED



This drawing is protected under Copyright and at no time should any portion of this drawing be reproduced or copied without the permission of the Architect. (Design Copyright Act 1968)

This drawing must not be used for purposes other than that for which it is provided. It is supplied without liability for any errors or omissions.

Drawings only to be scaled for planning application purposes, all dimensions to be checked on site. All drawings subject to Statutory Authority Approval.

No	Rev	Date
4	REVISION	24.05.24
3	REVISION	05.02.24
2	REVISION	23.11.23
1	PLANNING	12.09.23

Status **PLANNING**



ARCHITECTS + INTERIOR DESIGNERS

91A - 91B HEATH STREET
 LONDON NW3 6SS
 Tel 020 7636 3838

INFO WWW.TG-STUDIO.CO.UK

Project: 26 NETHERHALL GARDENS
 NW3 5TL

Date: 12.09.23
 Scale: 1:20 @ A1
 1:40 @ A3

Drawing: ELEVATION 2
 ENTRANCE STAIRS

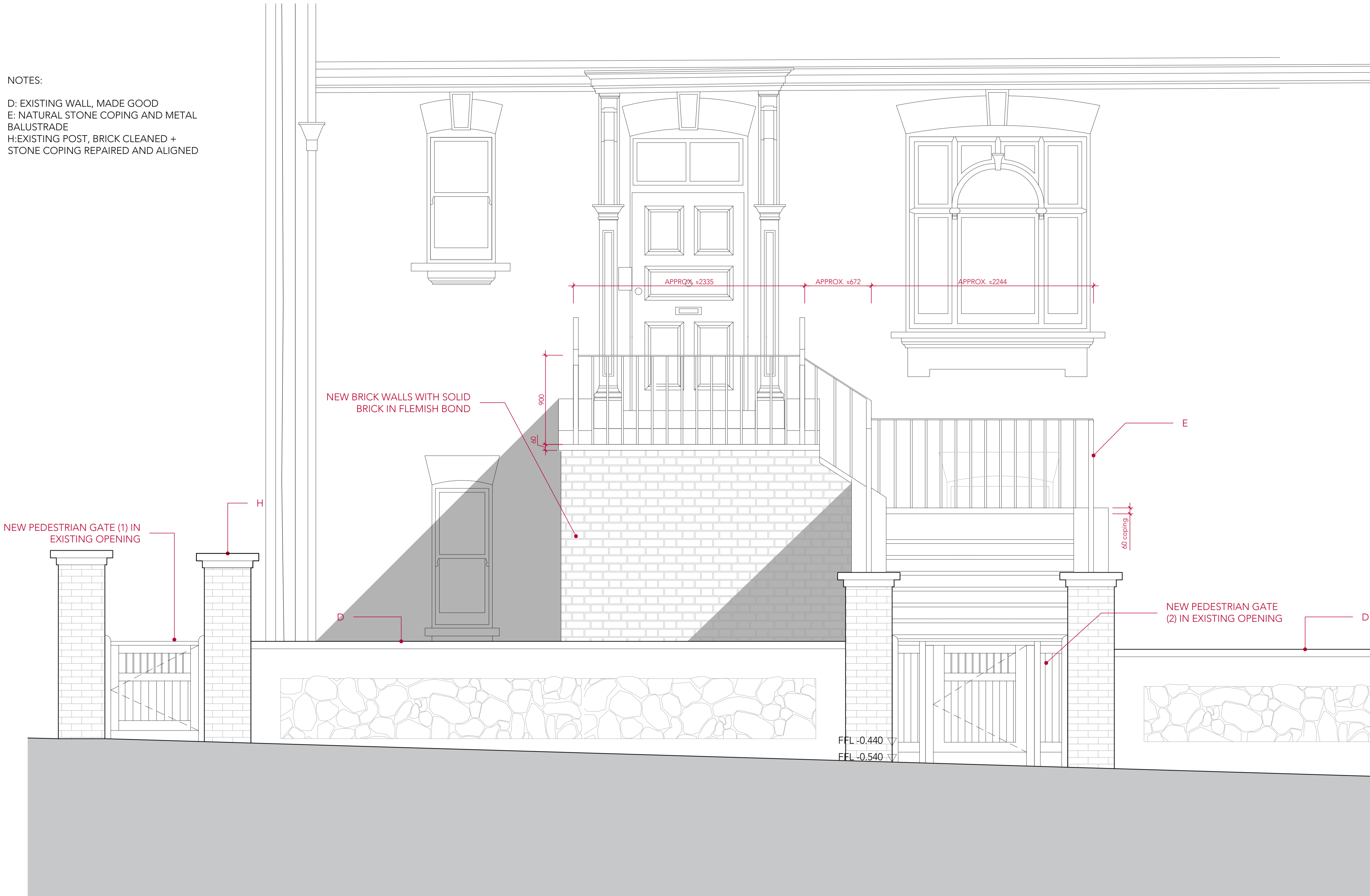
Drawn by: IV
 Checked by: TG

Job No.: 261
 Dwg No.: P-523
 Rev: 4



NOTES:

- D: EXISTING WALL, MADE GOOD
- E: NATURAL STONE COPING AND METAL BALUSTRADE
- H: EXISTING POST, BRICK CLEANED + STONE COPING REPAIRED AND ALIGNED



This drawing is protected under Copyright and at no time should any portion of this drawing be reproduced or copied without the permission of the Architect. (Design Copyright Act 1968)

This drawing must not be used for purposes other than that for which it is provided. It is supplied without liability for any errors or omissions.

Drawings only to be scaled for planning application purposes, all dimensions to be checked on site. All drawings subject to Statutory Authority Approval.

No	Rev	Date
4	REVISION	24.05.24
3	REVISION	05.02.24
2	REVISION	23.11.23
1	PLANNING	12.09.23

PLANNING



ARCHITECTS + INTERIOR DESIGNERS

91A - 91B HEATH STREET
LONDON NW3 6SS
Tel 020 7636 3838

INFO WWW.TG-STUDIO.CO.UK

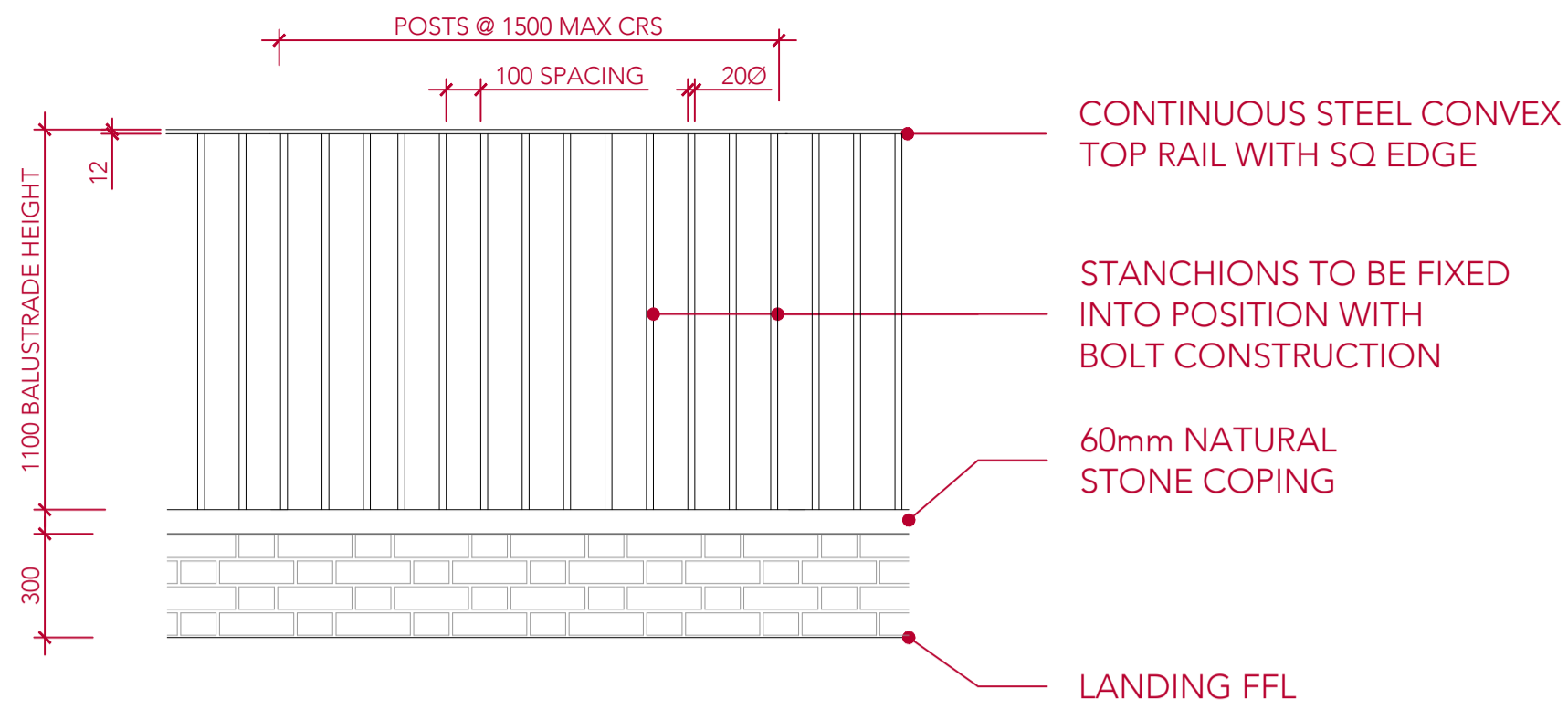
Project: 26 NETHERHALL GARDENS
NW3 5TL

Date	Scale	Sheet
12.09.23	1:20	© A1
	1:40	© A3

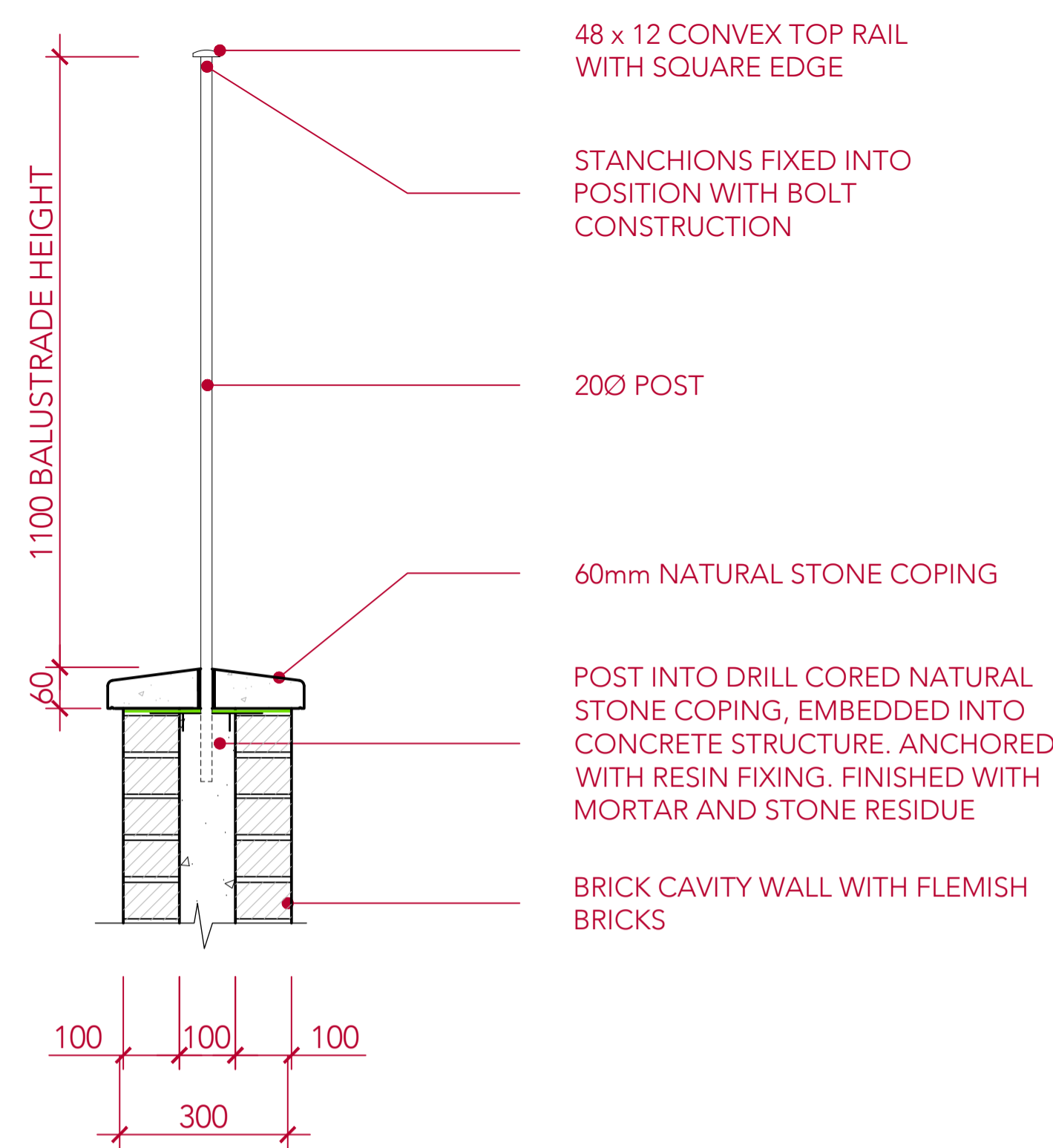
ELEVATION 3
ENTRANCE STAIRS

Drawn by	Checked by
IV	TG

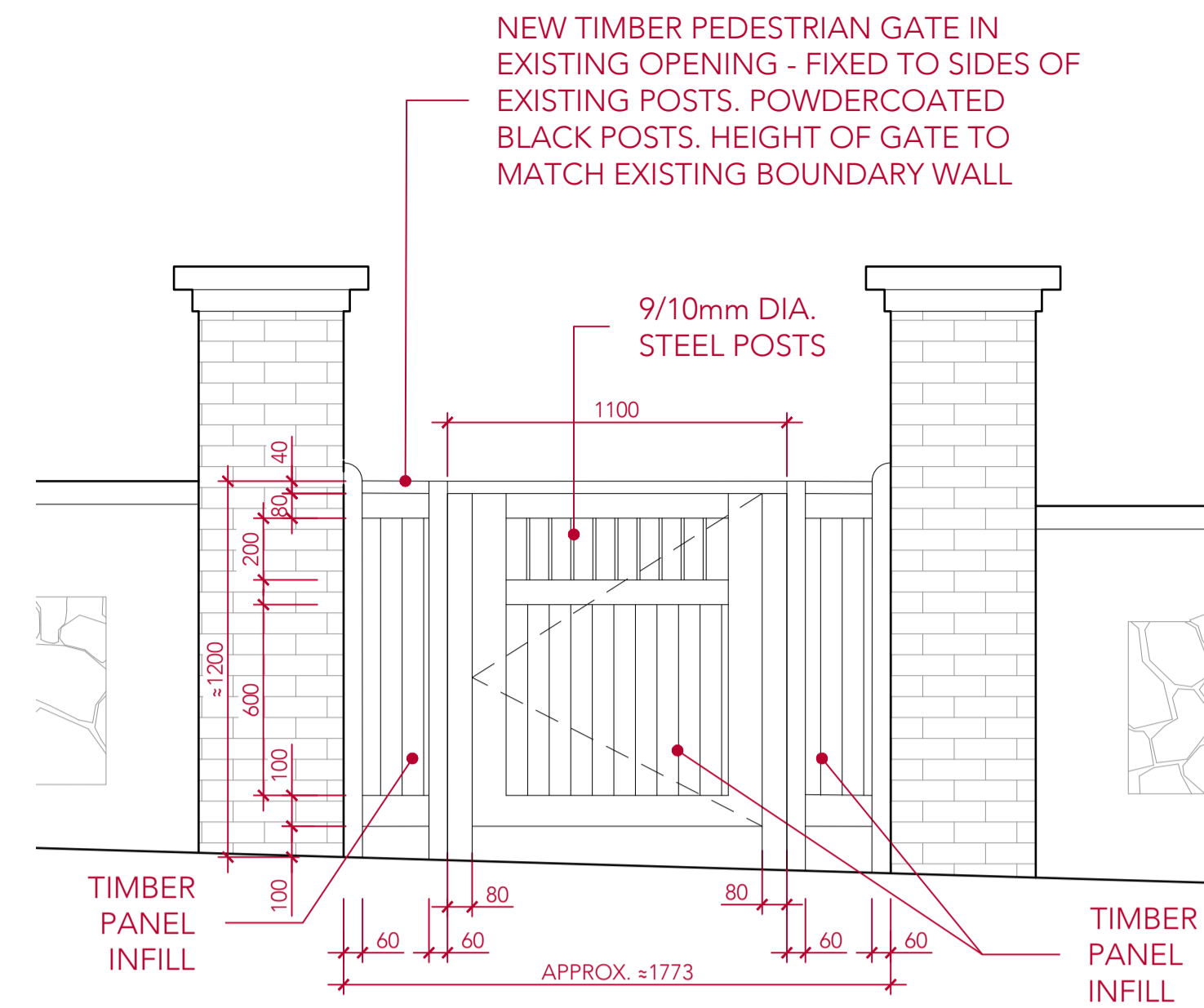
Job No.	Dwg No.	Rev
261	P-524	4



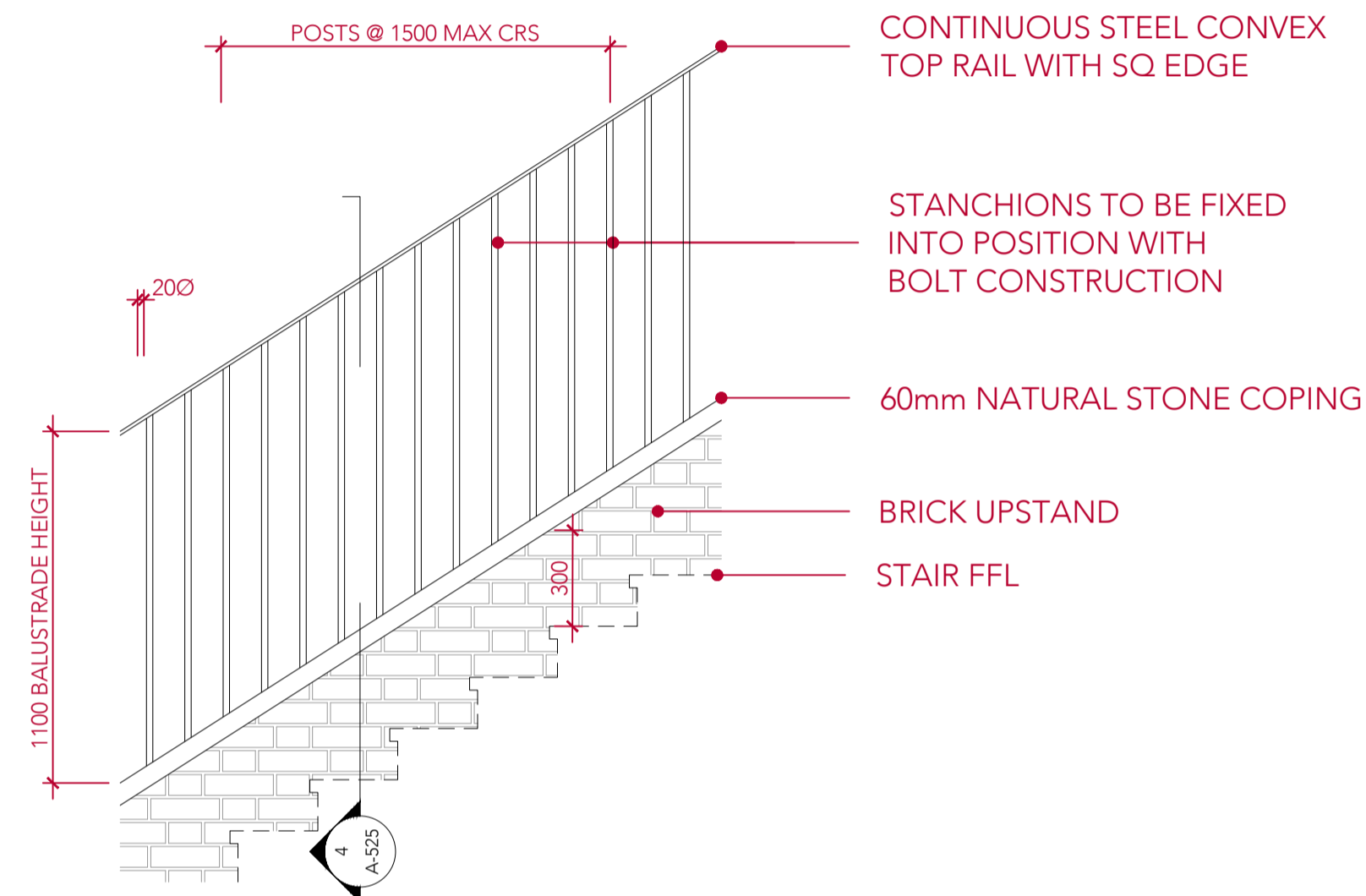
1 ENTRANCE STAIR BALUSTRADE ELEVATION scale 1:20



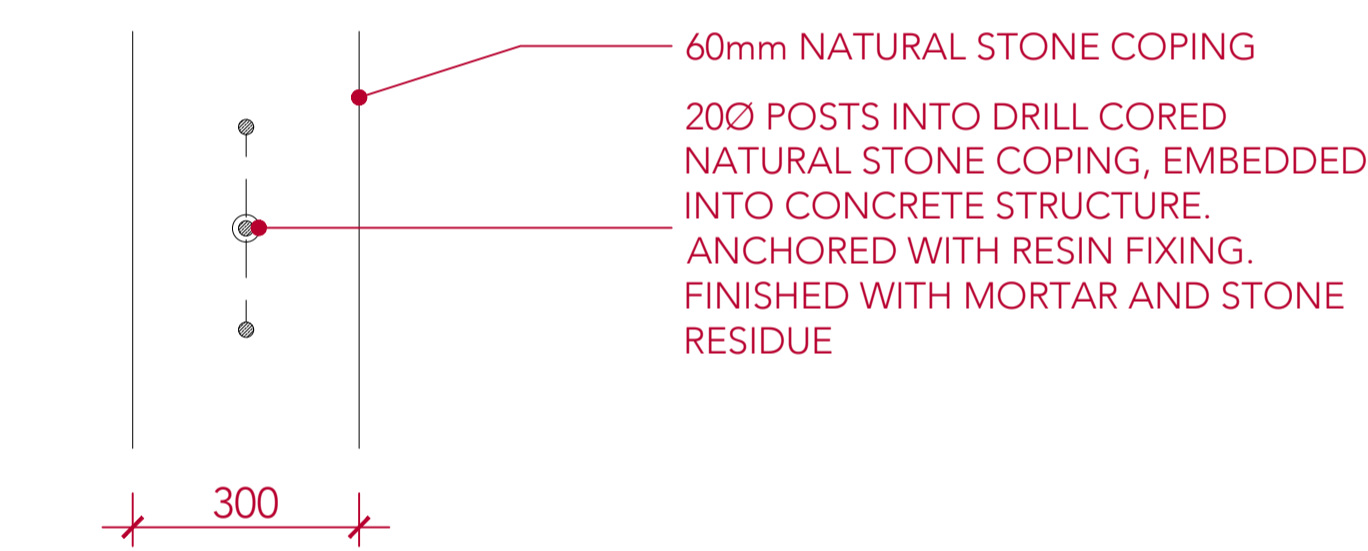
3 BALUSTRADE SECTION scale 1:10



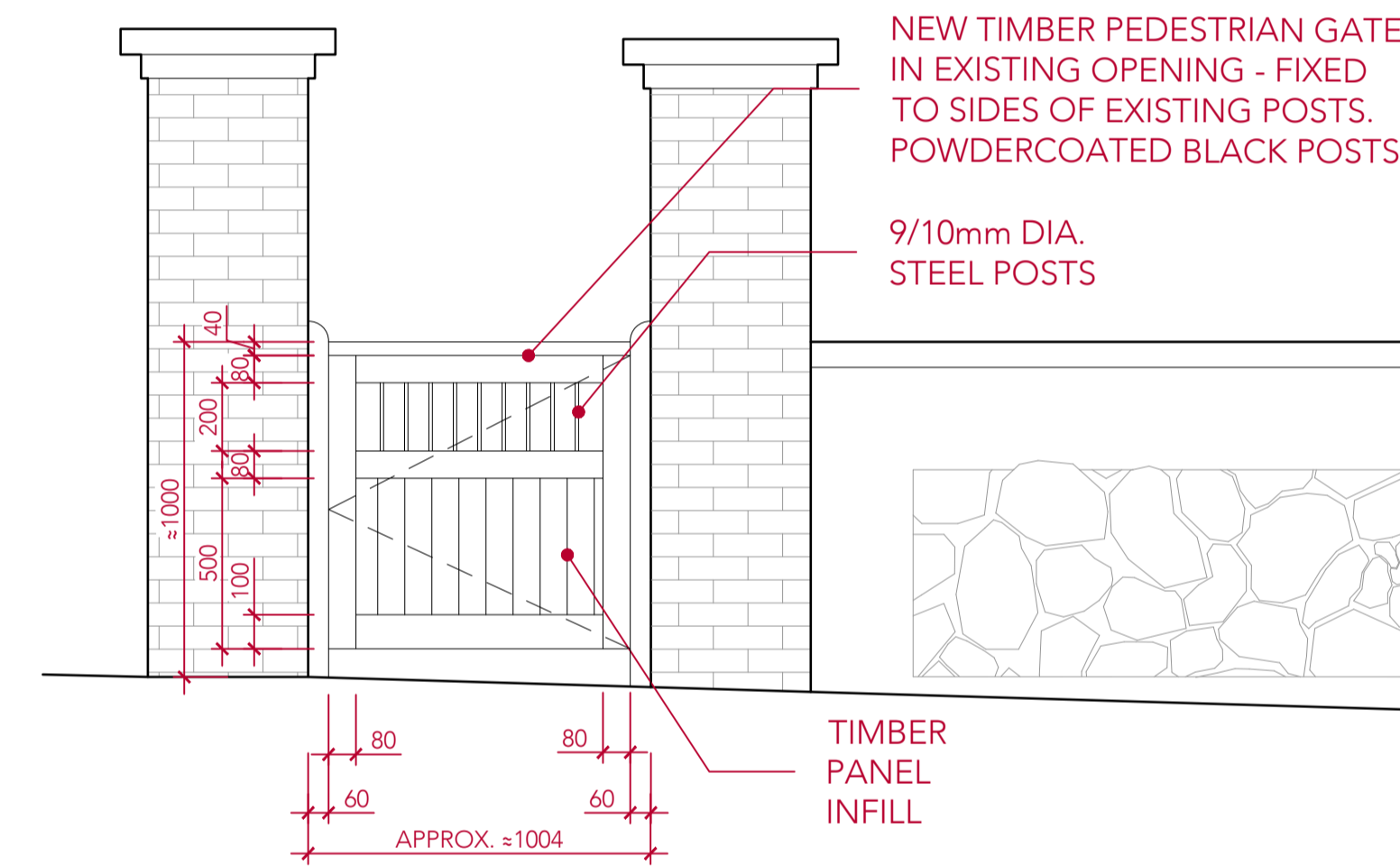
5 PEDESTRIAN GATE 2 ELEVATION scale 1:20



2 ENTRANCE STAIR RAKING BALUSTRADE ELEVATION scale 1:20

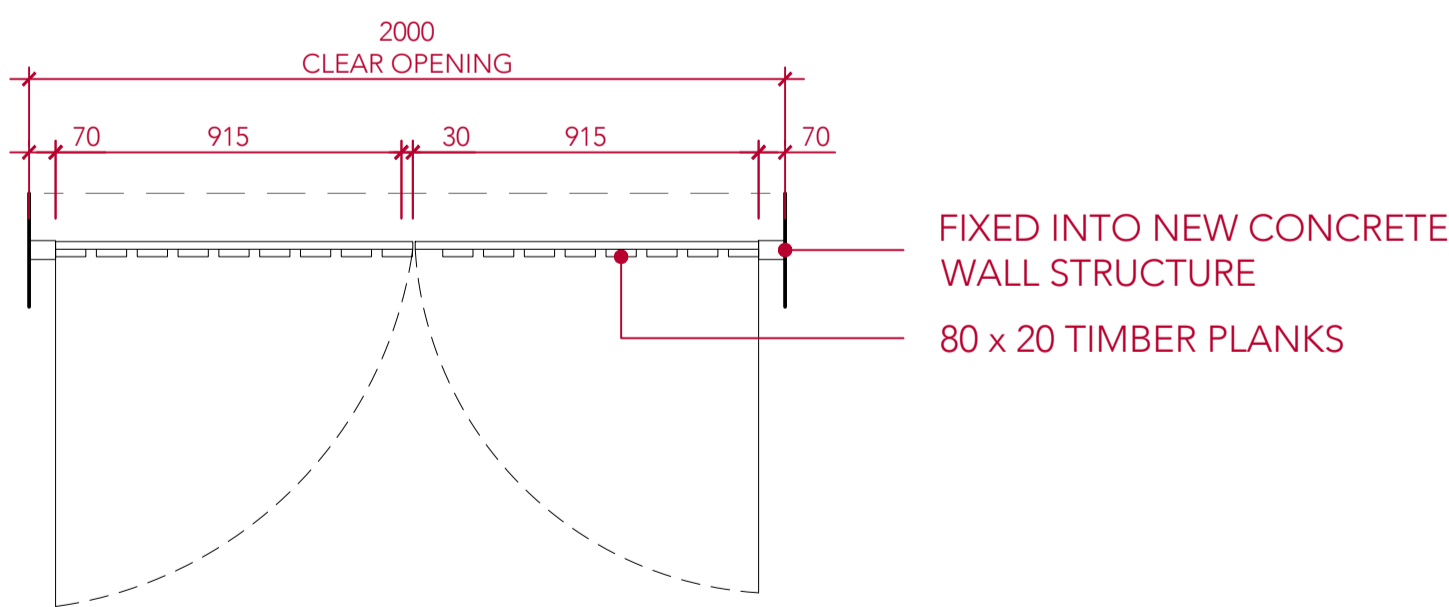


4 BALUSTRADE POST PLAN DETAIL scale 1:10

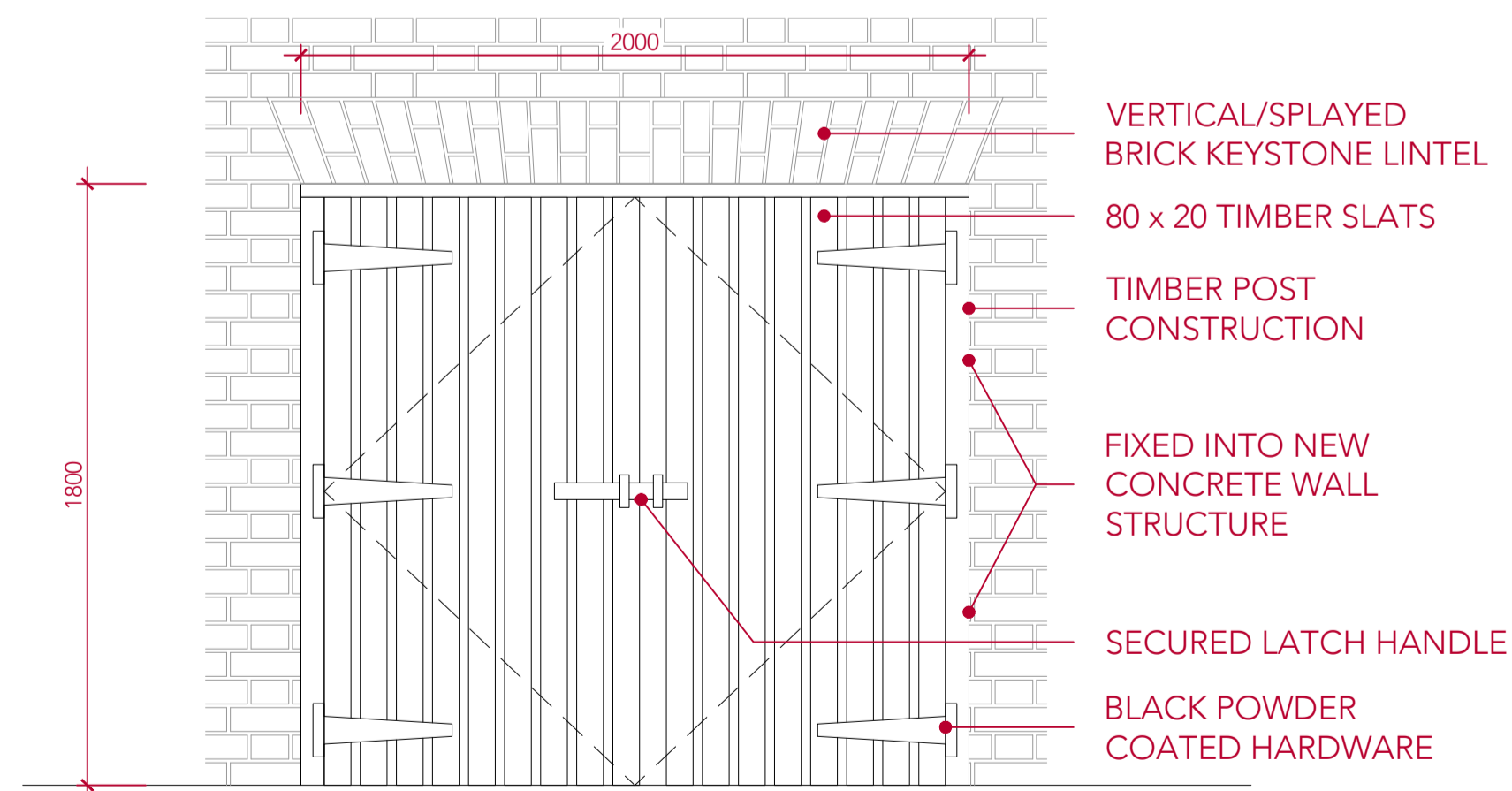


6 PEDESTRIAN GATE 1 ELEVATION scale 1:20

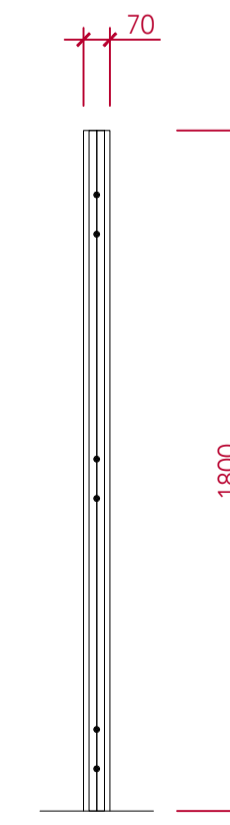
NOTE: BALUSTRADE TO BE FINISHED IN POWDERCOATED BLACK



7 BIKE/BIN STORAGE GATE PLAN scale 1:20



8 BIKE/BIN STORAGE GATE ELEVATION scale 1:20



9 BIKE/BIN STORAGE GATE SECTION scale 1:20

This drawing is protected under Copyright and at no time should any portion of this drawing be reproduced or copied without the permission of the Architect. (Design Copyright Act 1968)

This drawing must not be used for purposes other than that for which it is provided. It is supplied without liability for any errors or omissions.

Drawings only to be scaled for planning application purposes, all dimensions to be checked on site. All drawings subject to Statutory Authority Approval.

No	Rev	Date
4	REVISION	24.05.24
3	REVISION	05.02.24
2	REVISION	23.11.23
1	PLANNING	12.09.23

Status PLANNING



ARCHITECTS + INTERIOR DESIGNERS

91A - 91B HEATH STREET
LONDON NW3 6SS

TEL 020 7636 3838

INFO WWW.TG-STUDIO.CO.UK

Project: 26 NETHERHALL GARDENS
NW3 5TL

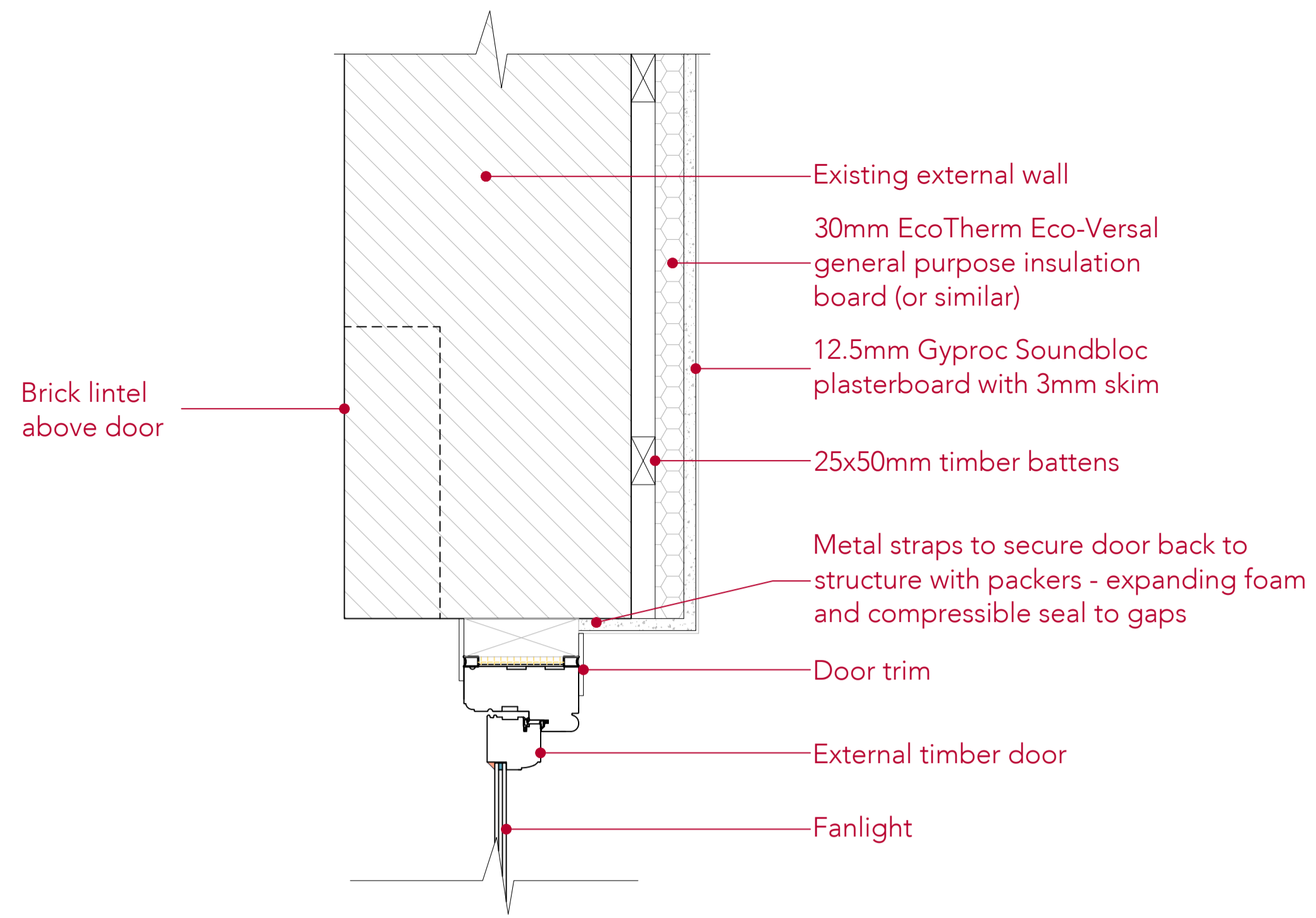
Date	Scale	Sheet
12.09.23	1:20	© A1
	1:40	© A3

Drawing: GATE DETAILS AND ENTRANCE STAIRS DETAILS

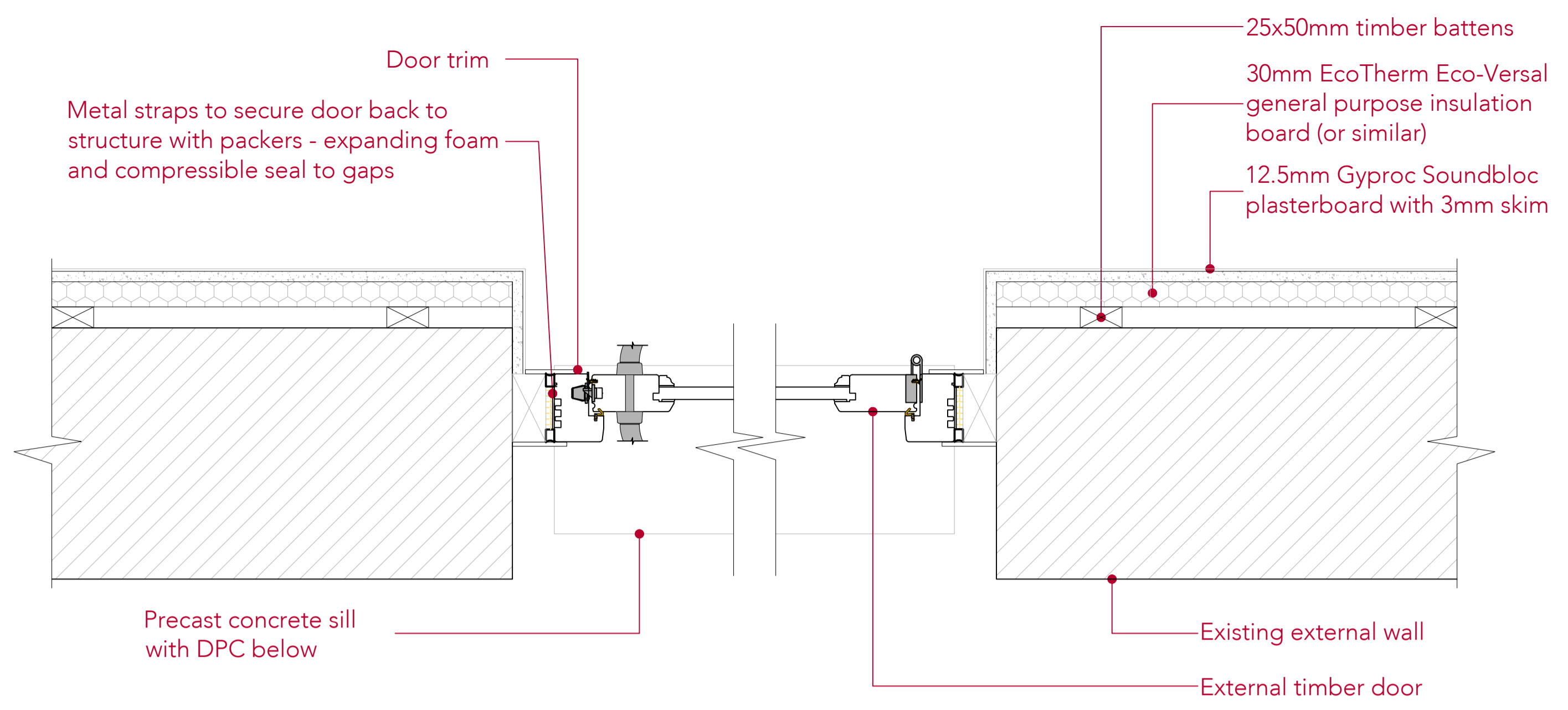
Drawn by	Checked by
IV	TG

Job No.	Dwg No.	Rev
261	P-525	4

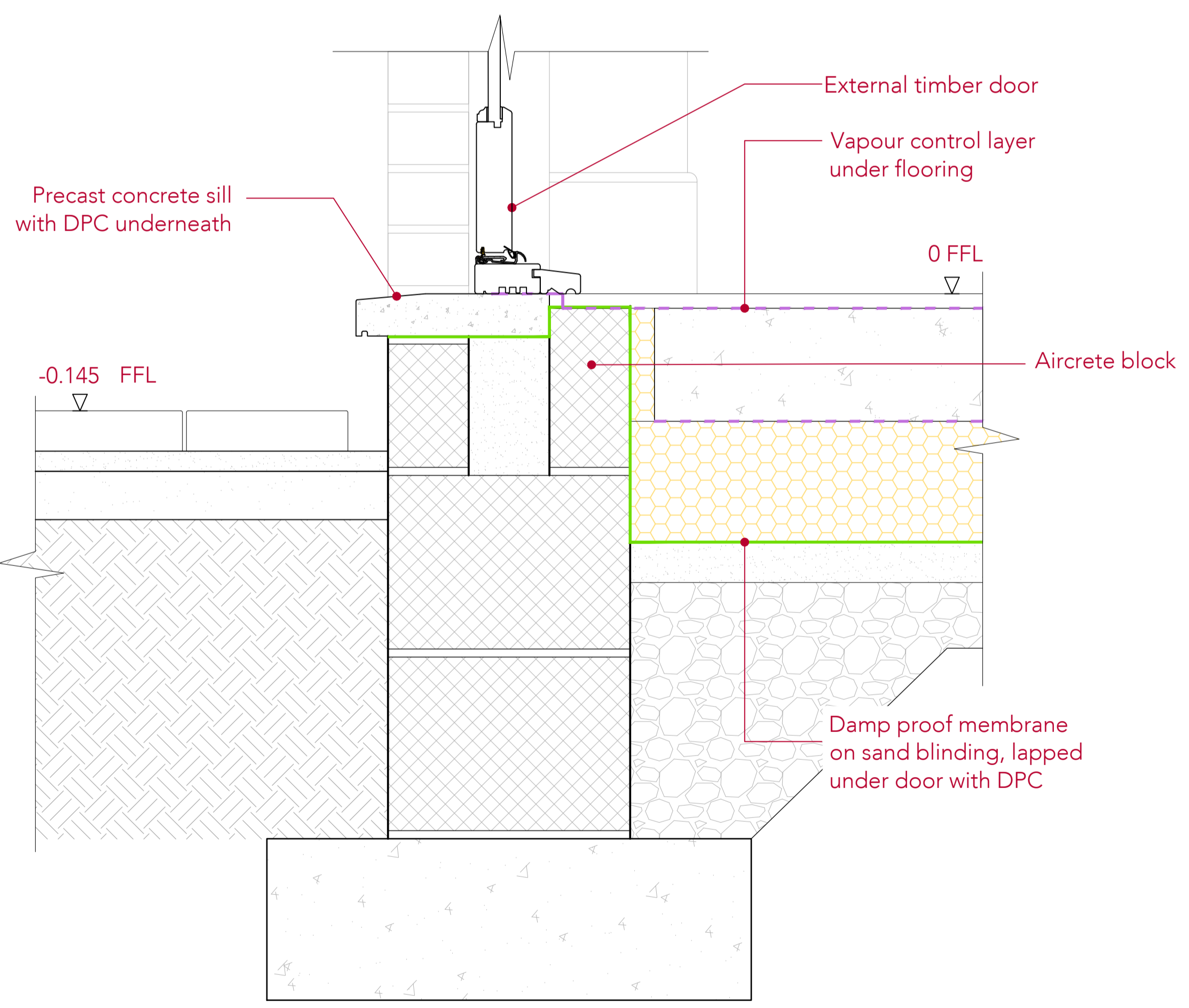




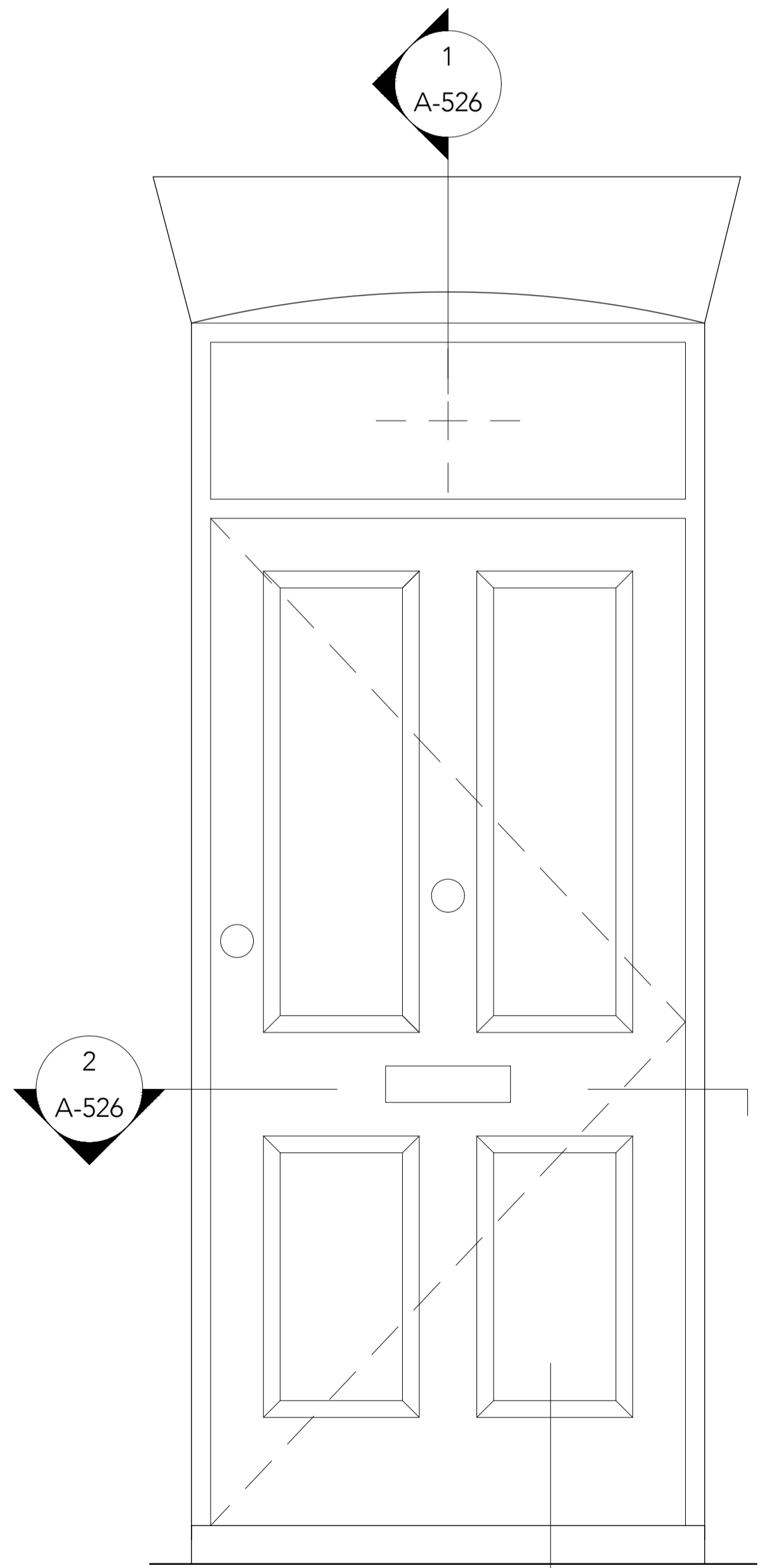
1 DOOR HEAD DETAIL
scale 1:5



2 DOOR JAMB DETAIL
scale 1:5



3 DOOR SILL DETAIL
scale 1:5



4 DOOR ELEVATION - LGF
scale 1:10



This drawing is protected under Copyright and at no time should any portion of this drawing be reproduced or copied without the permission of the Architect. (Design Copyright Act 1968)

This drawing must not be used for purposes other than that for which it is provided. It is supplied without liability for any errors or omissions.

Drawings only to be scaled for planning application purposes, all dimensions to be checked on site. All drawings subject to Statutory Authority Approval.

No	Rev	Date
2	REVISION	23.11.23
1	PLANNING	12.09.23

Status **PLANNING**



ARCHITECTS + INTERIOR DESIGNERS

91A - 91B HEATH STREET
LONDON NW3 6SS
Tel 020 7636 3838
INFO WWW.TG-STUDIO.CO.UK

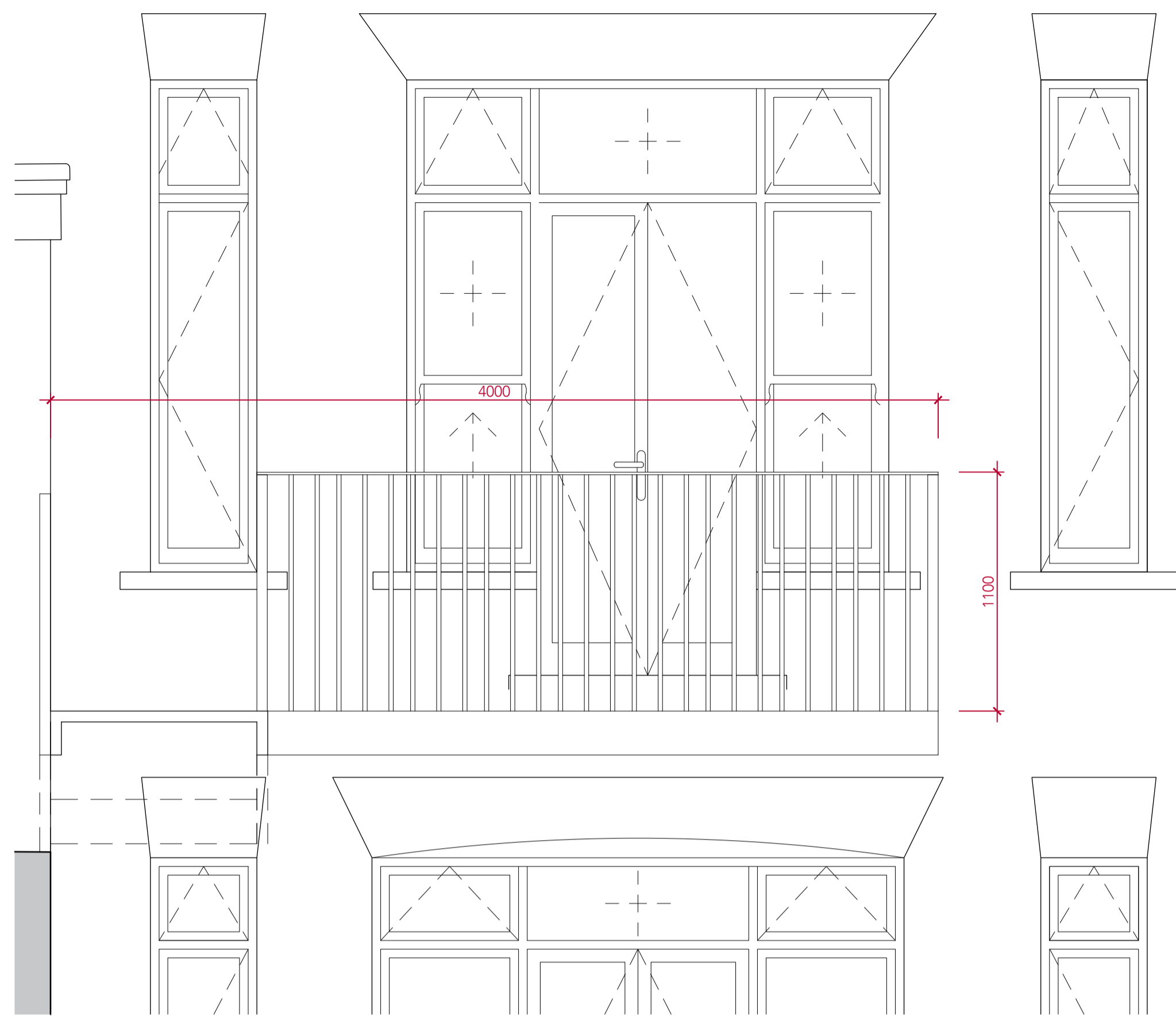
Project: 26 NETHERHALL GARDENS
NW3 5TL

Date	12.09.23	Scale	1:20 1:40	© A1 © A3
------	----------	-------	--------------	--------------

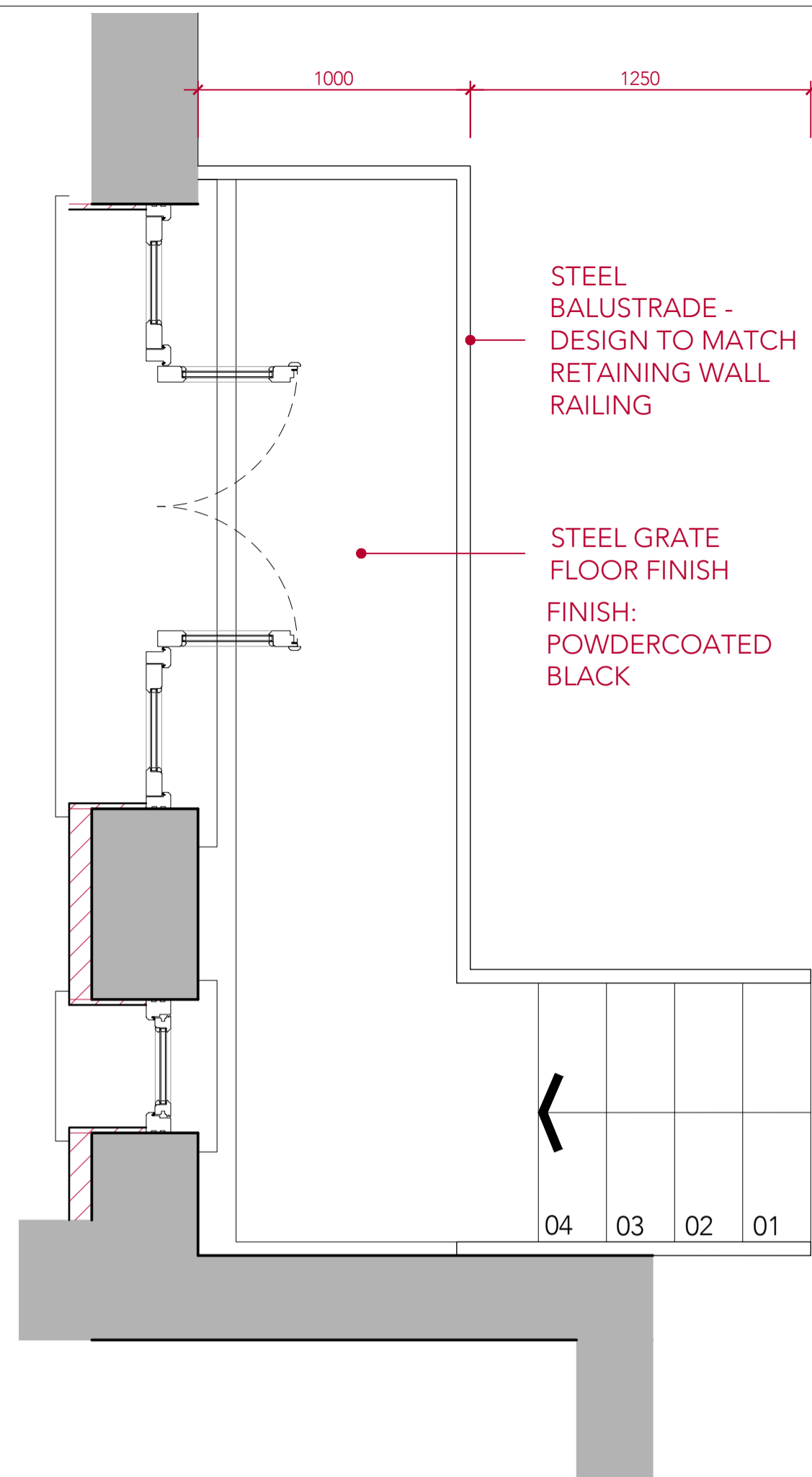
Drawing: LOWER GROUND FLOOR
ENTRANCE DOOR DETAILS

Drawn by	IV	Checked by	TG
----------	----	------------	----

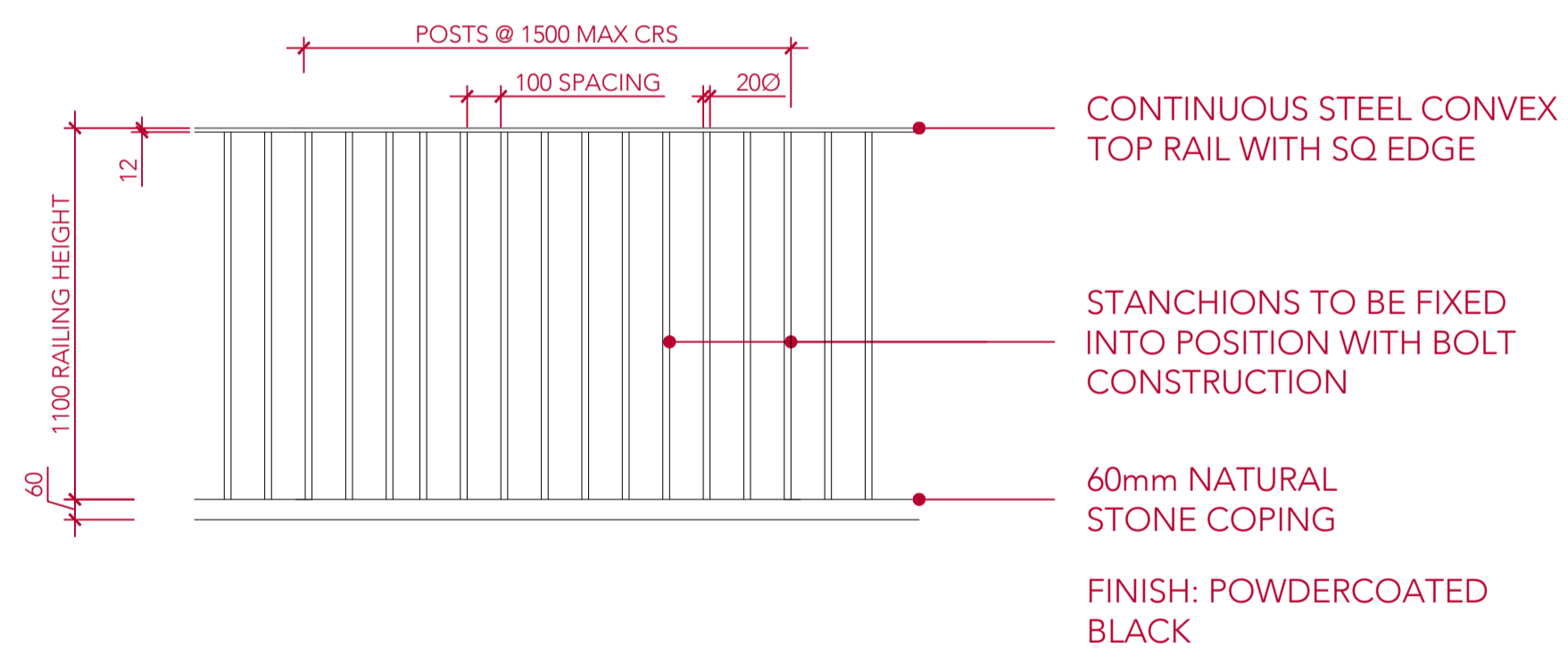
Job No.	261	Dwg No.	P-526	Rev	2
---------	-----	---------	-------	-----	---



1 REAR BALCONY ELEVATION
scale 1:20



2 REAR BALCONY PLAN
scale 1:20



3 REAR RETAINING WALL RAILING ELEVATION
scale 1:20



This drawing is protected under Copyright and at no time should any portion of this drawing be reproduced or copied without the permission of the Architect. (Design Copyright Act 1968)

This drawing must not be used for purposes other than that for which it is provided. It is supplied without liability for any errors or omissions.

Drawings only to be scaled for planning application purposes, all dimensions to be checked on site. All drawings subject to Statutory Authority Approval.

Notes

No	Rev	Date
3	REVISION	05.02.24
2	REVISION	23.11.23
1	PLANNING	12.09.23

Status
PLANNING



ARCHITECTS + INTERIOR DESIGNERS

91A - 91B HEATH STREET
LONDON NW3 6SS
Tel 020 7636 3838

INFO WWW.TG-STUDIO.CO.UK

Project: 26 NETHERHALL GARDENS
NW3 5TL

Date: 12.09.23
Scale: 1:20 @ A1
1:40 @ A3

Drawing: REAR BALCONY

Drawn by: IV
Checked by: TG

Job No.: 261
Dwg No.: P-527
Rev: 3

This drawing is protected under Copyright and at no time should any portion of this drawing be reproduced or copied without the permission of the Architect. (Design Copyright Act 1968)

This drawing must not be used for purposes other than that for which it is provided. It is supplied without liability for any errors or omissions.

Drawings only to be scaled for planning application purposes, all dimensions to be checked on site. All drawings subject to Statutory Authority Approval.

No	Rev	Date
4	REVISION	09.04.24
3	REVISION	05.02.24
2	REVISION	23.11.23
1	PLANNING	12.09.23

Status **PLANNING**

TG STUDIO
ARCHITECTS + INTERIOR DESIGNERS

91A - 91B HEATH STREET
LONDON NW3 6SS
Tel 020 7636 3838
INFO WWW.TG-STUDIO.CO.UK

Project: 26 NETHERHALL GARDENS
NW3 5TL

Date: 12.09.23
Scale: 1:20 @ A1
1:40 @ A3

Drawing: REAR RETAINING WALL

Drawn by: IV
Checked by: TG

Job No.: 261
Dwg No.: P-528
Rev: 4

