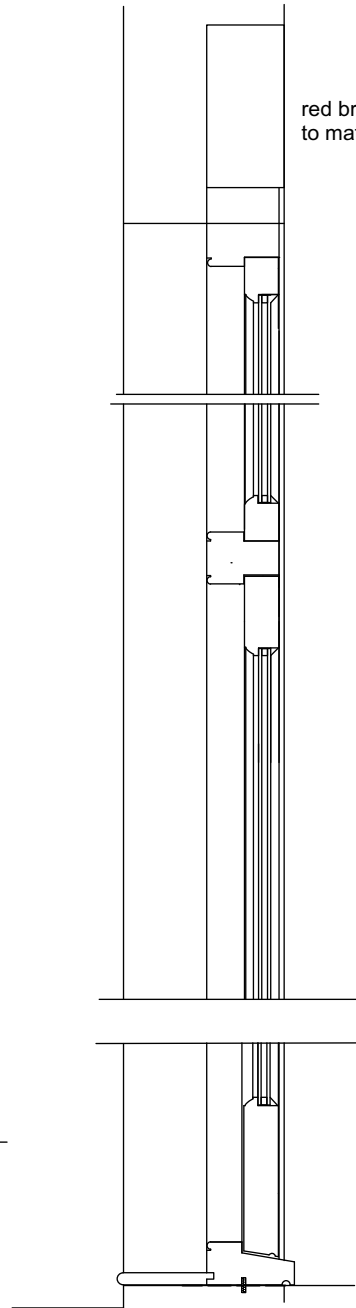
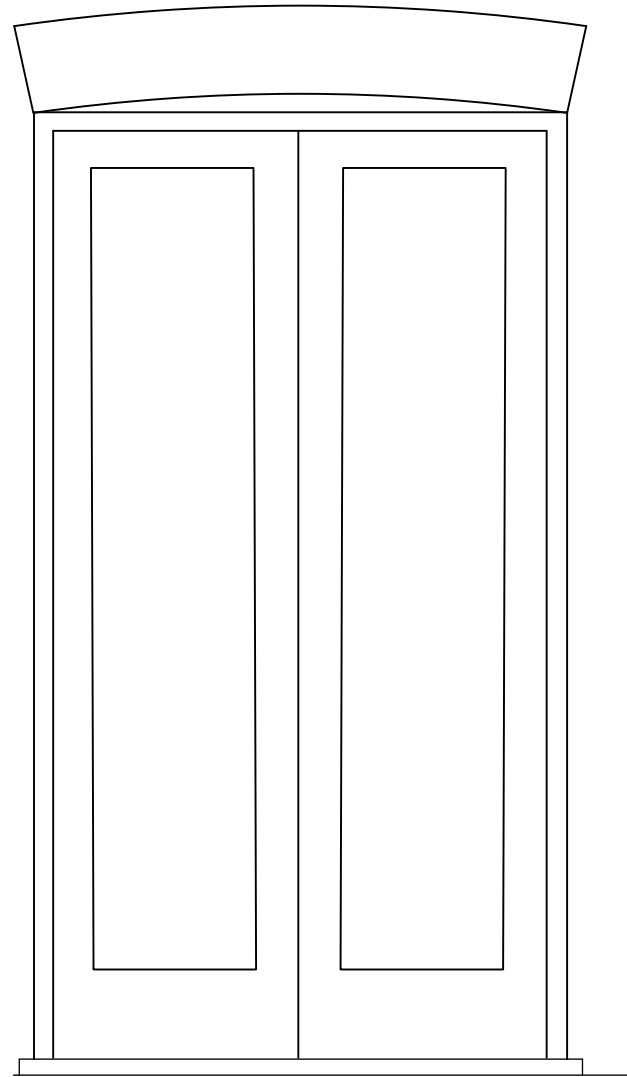
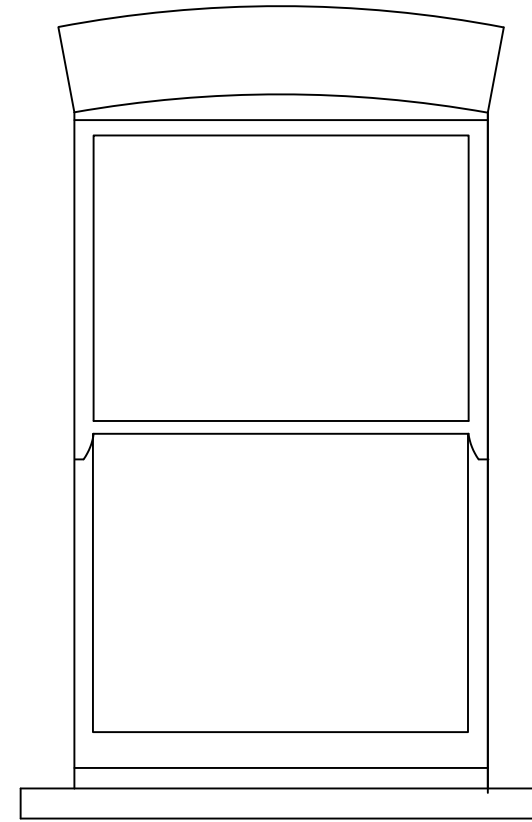


ELEVATION 1:20

**FRENCH DOORS
TRADITIONAL TIMBER PAINTED, DOUBLE GLAZED**

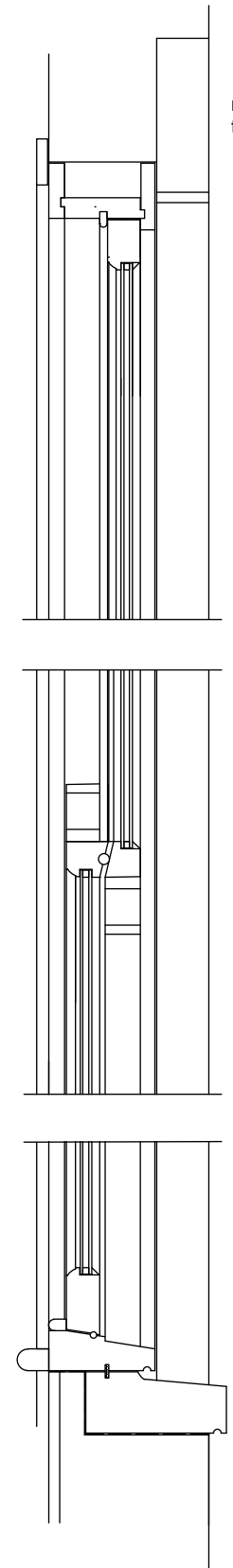


SECTION 1:10



ELEVATION 1:20

**SASH WINDOW
TRADITIONAL TIMBER PAINTED,
DOUBLE GLAZED**



SECTION 1:10

Mary Cleary ARCHITECTS			
ARCHITECTURE INTERIOR DESIGN			
22 BARLBY GARDENS LONDON W10 5LW tel. 0208 960 9923 mclearyarchitect@btinternet.com			
Project title	FLAT 1, 16 ADAMSON ROAD, LONDON NW3 3HR		
Drawing title	Proposed Sash Window & French door details		
Drawing number	Rev	Scale	Date
340/DD/01		1:10 1:20	May 2024