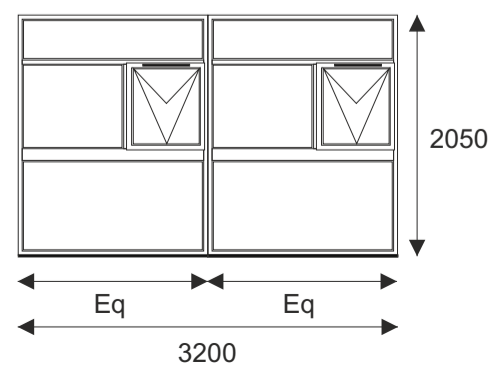
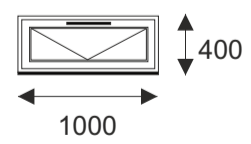
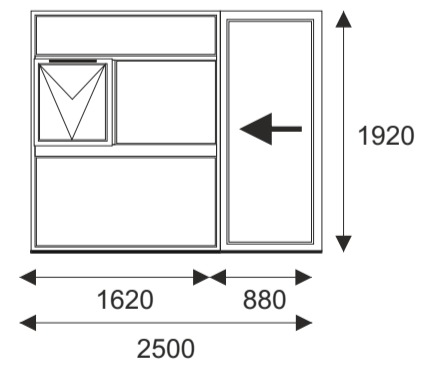
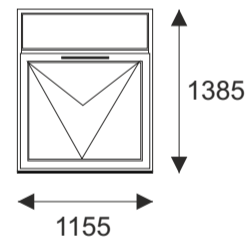
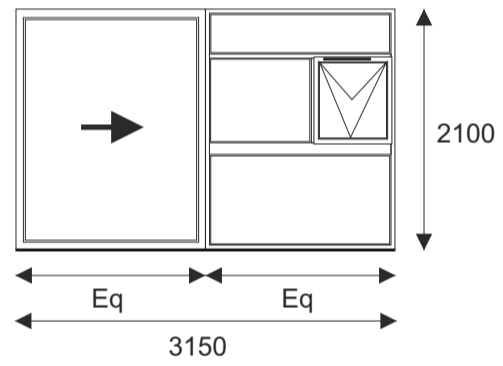
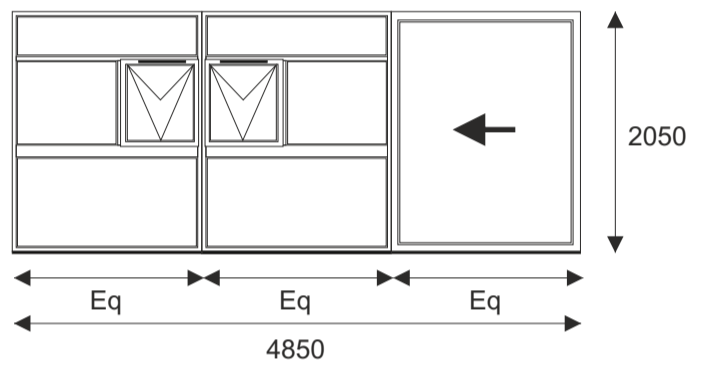
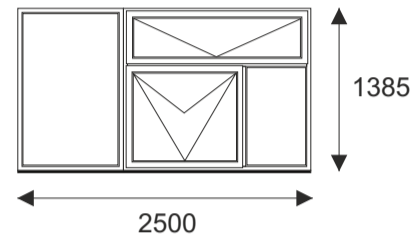
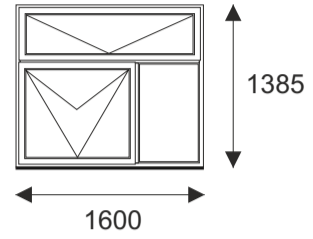
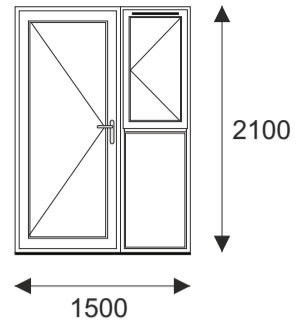
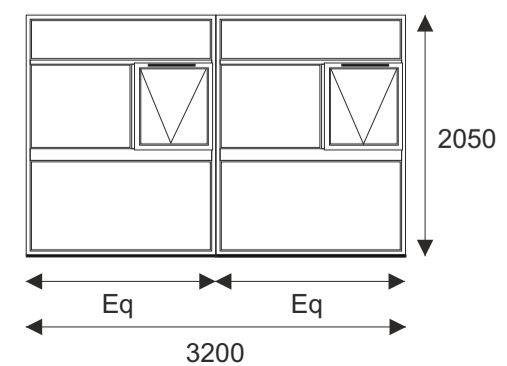
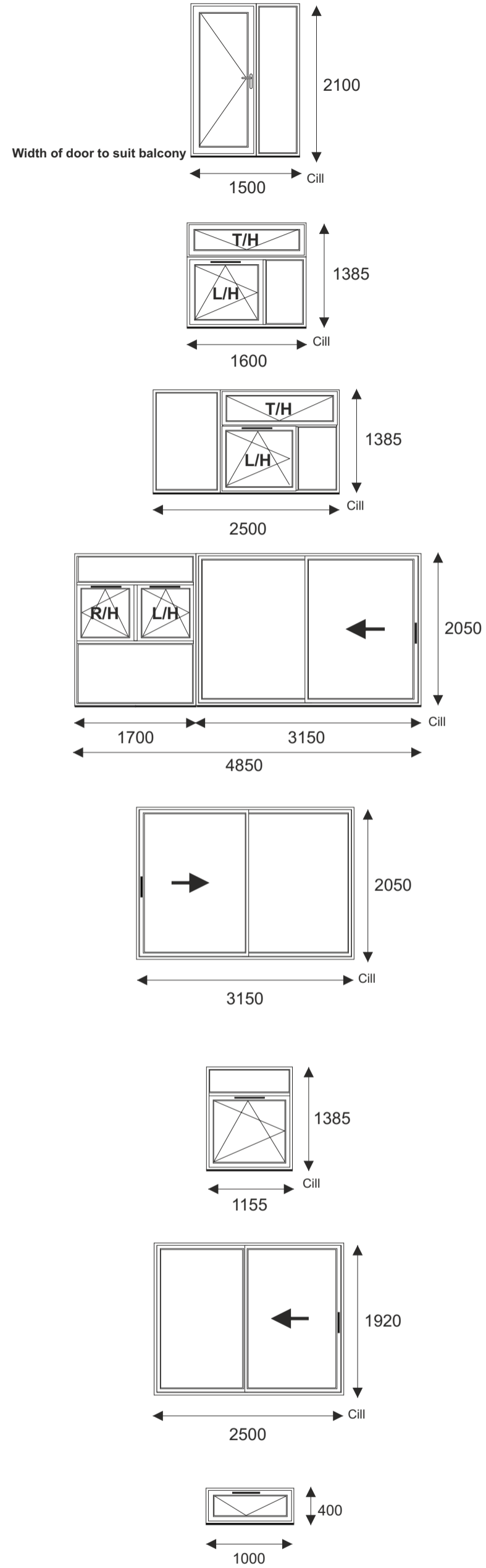






**EXISTING DESIGNS**



<b>Client:</b>	M M Building Surveyors	<b>Key:</b>	
<b>Site Address:</b>	Queensmead Estate		Denotes Insulated Infill Panel
<b>Detail:</b>	Window/Door Proposals		Arrows Point To Handles (L/H)
<b>Works Order No:</b>			Denotes Trickle Vent
<b>Scale:</b>	N.T.S.		
<b>Drawing No:</b>	001	<b>Rev:</b>	B
		<b>Date:</b>	14/05/24
		ALL SIZES SHOWN ARE APPROXIMATE AND ARE SUBJECT TO OUR SITE SURVEY OF THE COMPLETED OPENINGS	
		Drawn By: JS Checked By: KS Authorised By: JS	

**PROPOSED DESIGNS OPTION**



<b>Client:</b>	M M Building Surveyors	<b>Key:</b>	
<b>Site Address:</b>	Queensmead Estate		Denotes Insulated Infill Panel
<b>Detail:</b>	Window/Door Proposals		Arrows Point To Handles (L/H)
<b>Works Order No:</b>			Denotes Trickle Vent
<b>Drawing No:</b> 002	<b>Rev:</b> C	<b>Scale:</b> N.T.S.	
<b>Date:</b> 15/05/24			
		ALL SIZES SHOWN ARE APPROXIMATE AND ARE SUBJECT TO OUR SITE SURVEY OF THE COMPLETED OPENINGS Drawn By: JS Checked By: RS Authorised By: JS	