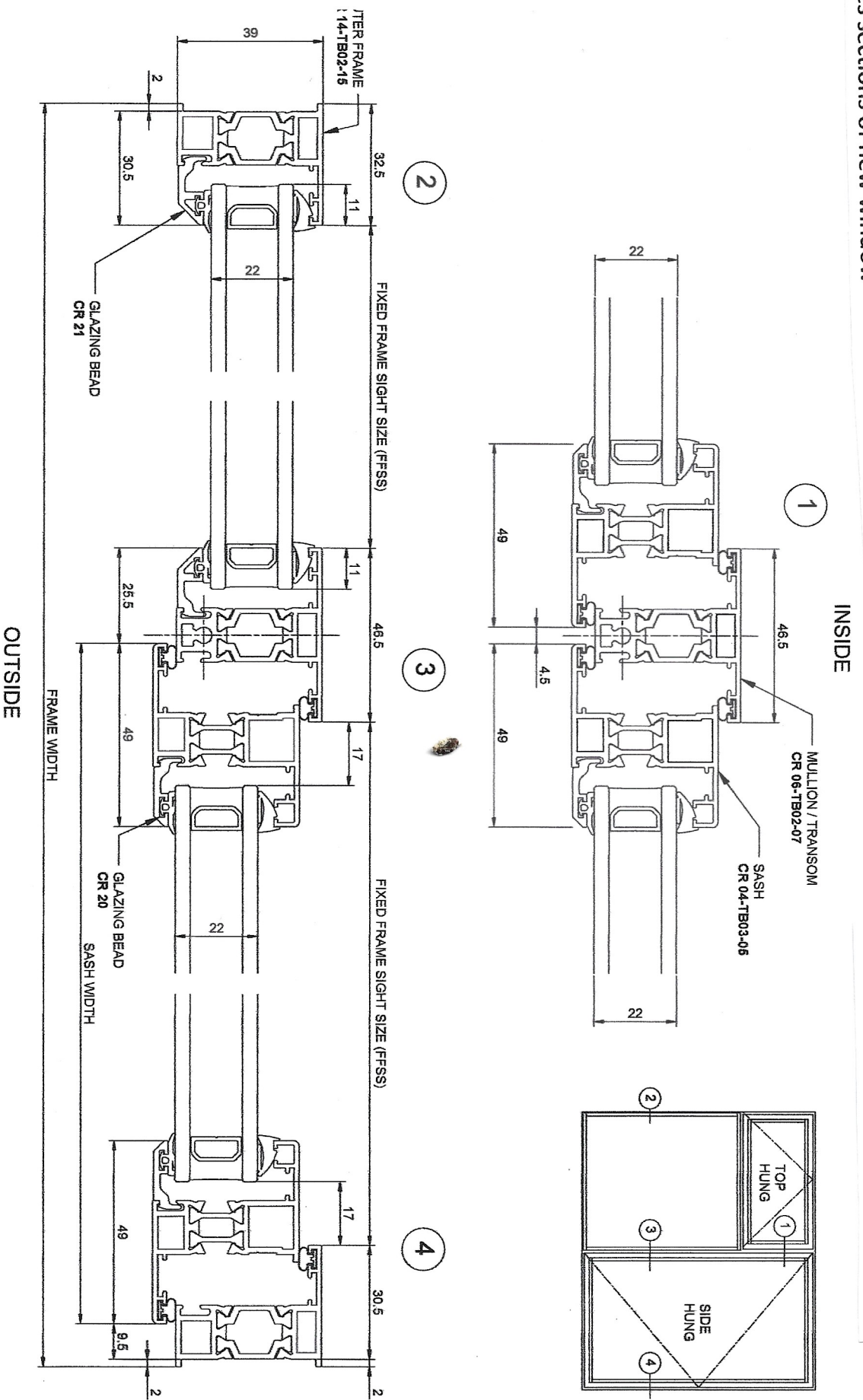


1. Manufacturer's section diagram of new window: no-leg profile - illustrates sections of new window

11B Bramshill Gardens, London NW5 1JJ



**The Heritage Window Company**

Unit 23, Bellingham Trading Estate,  
Frantthorne Way, Randlesdown Road,  
London, SE6 3BX.  
Tel: 020 8695 0055

**The Conservation Range**

**Casement Window System (39mm Frame)  
No-Leg Profile**

© The Heritage Window Company

3 30/04/2013 UNITS FOR FINISHES/RESIN COLOURS - 09/14 DATE AMENDMENT		DRAWN: R J G DATE: 09/09/2013 CHECKED: SCALE: 1:1		THE HERITAGE WINDOW COMPANY A3
GENERAL ARRANGEMENT DETAILS				DRAWING NO. THWC / 03 / 01
			3 31 4	4