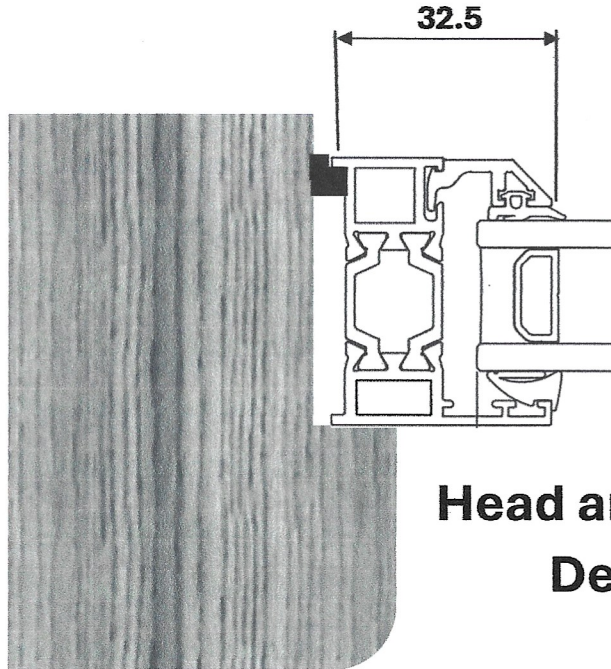


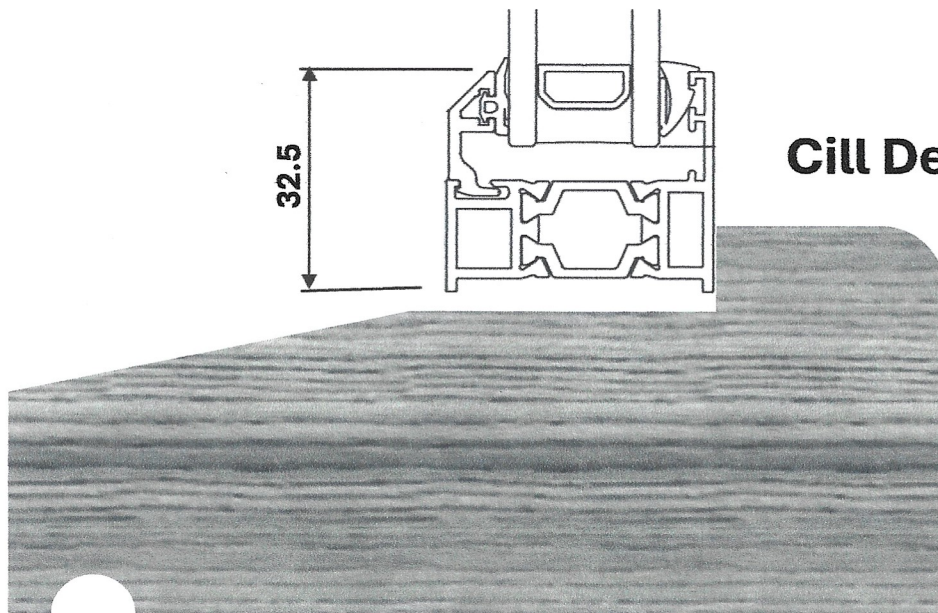
**Conservation 39 window into  
existing timber frame  
Fixed Pane detail**

H

11B Bramshill Gardens, London NW5 1JJ



**Head and Jamb  
Detail**



**Cill Detail**

H. Section of new window – manufacturer's diagram showing specification and dimensions of the new window (fixed pane and casement) of the showing (entitled Conservation 39 window into ... timber frame)