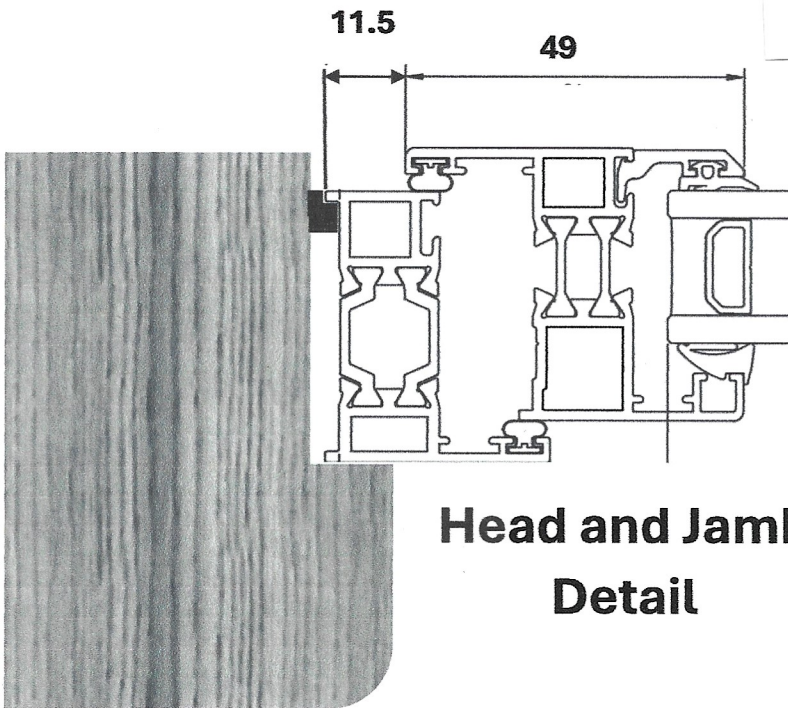


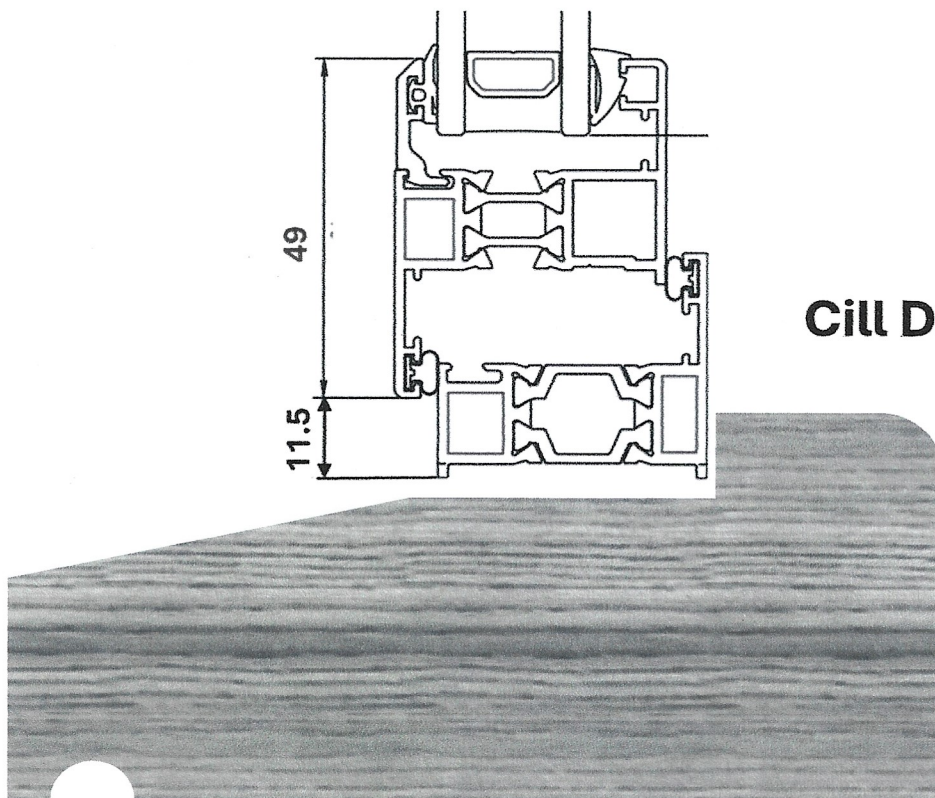
**Conservation 39 window into
existing timber frame
casement detail**

H

11B Bramshill Gardens, London NW5 1JJ



**Head and Jamb
Detail**



Cill Detail

H. Section of new window – manufacturer's diagram showing specification and dimensions of the new window (fixed pane and casement) of the showing (entitled Conservation 39 window into ... timber frame)