








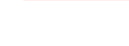








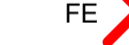
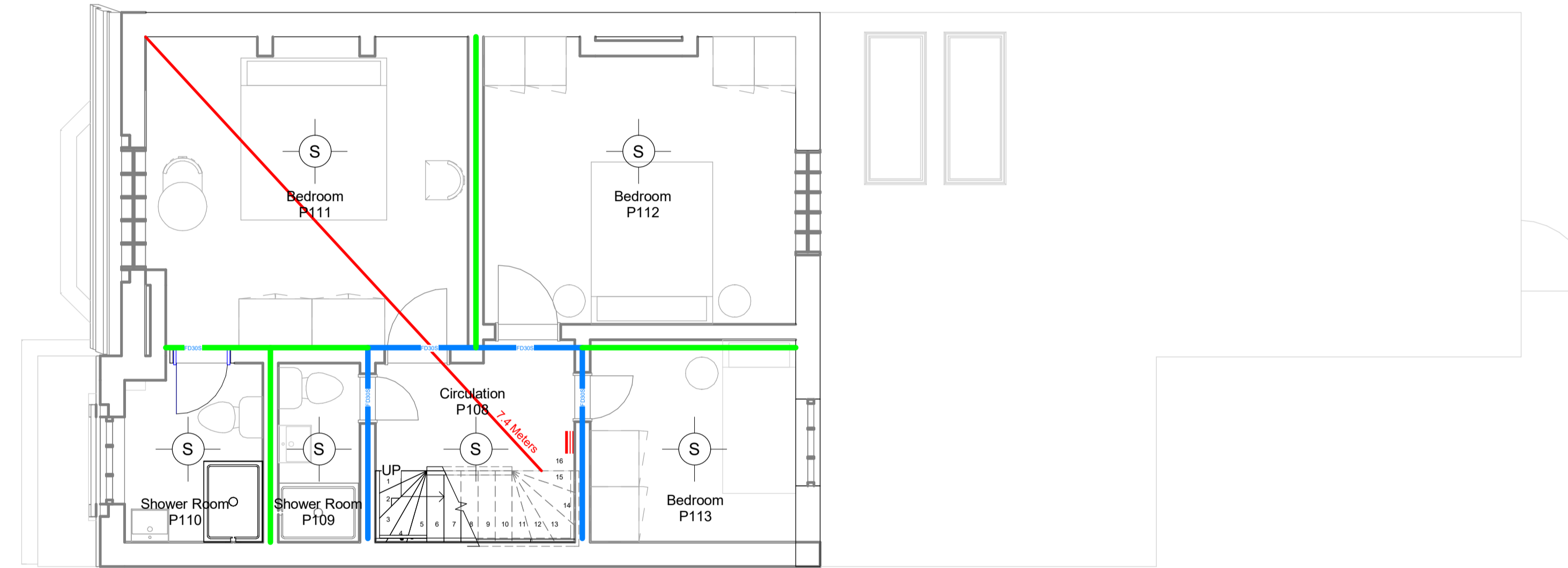


- 1 The Contractor must check and confirm all dimensions
- 2 All discrepancies must be reported and resolved by the Architect before works commence
- 3 All work and materials to be in accordance with current applicable Statutory Legislation and to comply with all relevant Codes of Practice and British Standards

Fire Strategy Legend

-  60min Fire Curtain
 -  30min 30 Minutes Fire Rating
 -  60min 60 Minutes Fire Rating
50 Rw (dB) Acoustic Rating
 -  120min 120 Minutes Fire Rating
50 Rw (dB) Acoustic Rating
 -  Wall Mounted Fire Extinguisher Cabinet
 -  Wall Mounted Water Fire Extinguisher Cabinet (For wood, paper, textile and solid material fires)
 -  Wall Mounted Powder Fire Extinguisher Cabinet (For Liquid and Electrical Fires)
 -  Wall Mounted Foam Fire Extinguisher Cabinet (For Use on Liquid Fires)
 -  Wall Mounted Fire Carbon Dioxide Extinguisher Cabinet (For Liquid and electrical fires)
 -  Heat detector fixed to ceiling
 -  Fire / Carbon Monoxide detector fixed to ceiling
 -  Extent of Premises Boundary Line
 -  Travel Distance
 -  Evacuation Distance
 -  Evacuation Assembly Point
-
- | REQUIRED DOOR RATING | GUIDANCE |
|---|---|
|  FD60S | 60 Minute Fire door with smoke seals and self closers |
|  FD30S | 30 Minute Fire door with smoke seals and self closers |
|  FE | Final escape |
|  | Illuminated emergency sign
Exit above escape doors |



P01 Issued For Planning	19.04.24
Rev	Date



Architecture & Interiors
10 Fitzroy Square, Fitzrovia, London, W1T 5HP
T020 8014 8130
www.aga-associates.com

Client
Ernesto Palanco

Project
Flat 3, 9 Wilmot Place, Camden,
London, NW1 9JP

Drawing
Fire Safety Plans
Level 02 Proposed

RJ Ref	Scale (A1)	Status	Revision
1072	1 : 50	Planning	P01

Drawing Number
1072-AGA-AZ-ZZ-DR-A-26102