

NOTES

THE PROPOSED CHANGES TO THE EXISTING FACADE ARE THE WINDOW LAYOUT AND STALLRISER HEIGHT.
DRAWINGS ARE TO COMMUNICATE DESIGN INTENT ONLY.
THE CONTRACTOR IS TO VERIFY ALL DIMENSIONS AND CONDITIONS ON SITE.

GRT ARCHITECTS

ARCHITECT
GRT ARCHITECTS LLP
81 GREENPOINT AVENUE #509
BROOKLYN, NY 11222
+1 917 908 1868

OPERATIONS DIRECTOR
FMS PROJECTS
41-43 BROOK STREET
LONDON W1K 4HF, UK

TENANT
IT'S BAGELS
65 REGENTS PARK ROAD
LONDON NW1 8XD, UK

EQUIPMENT CONSULTANT
GALDORM GROUP
7 CORDBALLY ROAD
BALLINENA BT16 1JQ, UK
+44 28 2564 3211

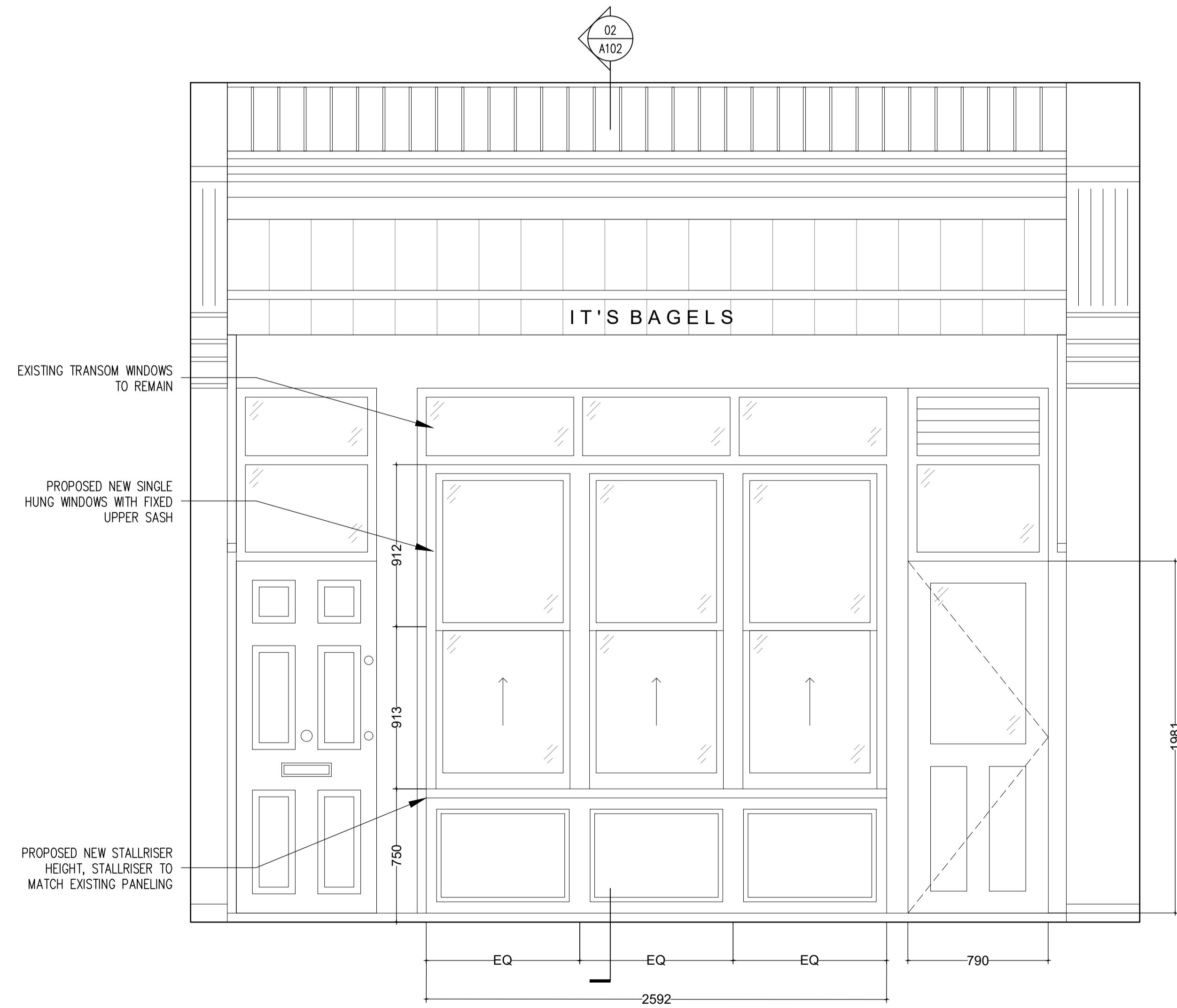
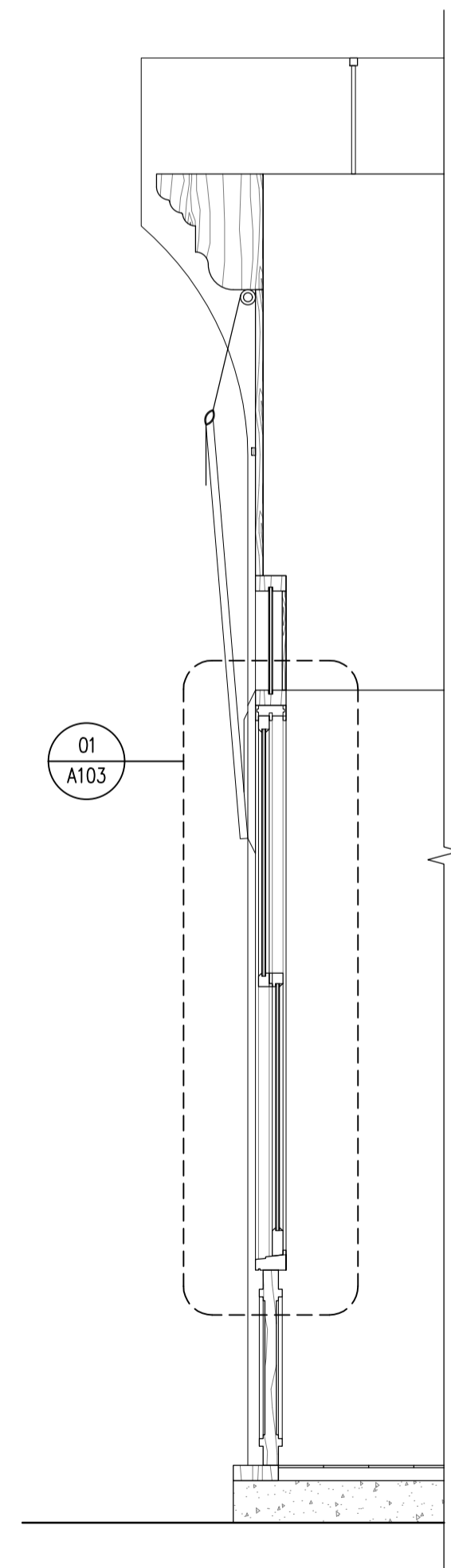
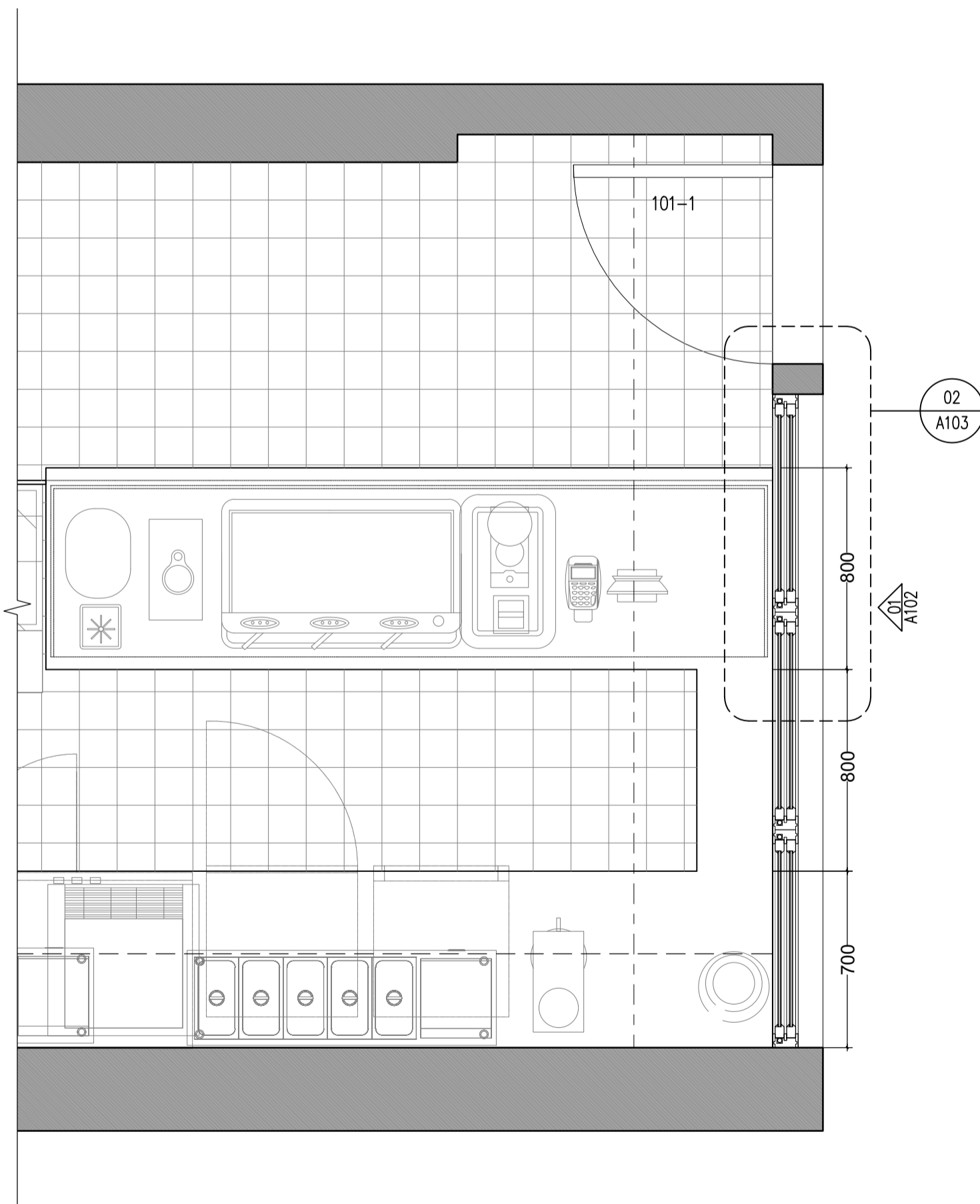
PROJECT MANAGER
JOHNSTON SHIELDS
8-30 HONG KONG STREET, M50 0B
+44 7971 380 822

PROPOSED LAYOUT PLAN LEGEND

- REMAINING PRE-EXISTING WALL
- REMAINING PRE-EXISTING STEP IN CEILING

DOOR SCHEDULE

- 101-1 REMAINING PRE-EXISTING 790MM WIDE



description	date
COUNCIL SUBMISSION: FACADE REV.	05/09/2024

IT'S BAGELS
65 REGENTS PARK ROAD LONDON NW1 8XD, UK

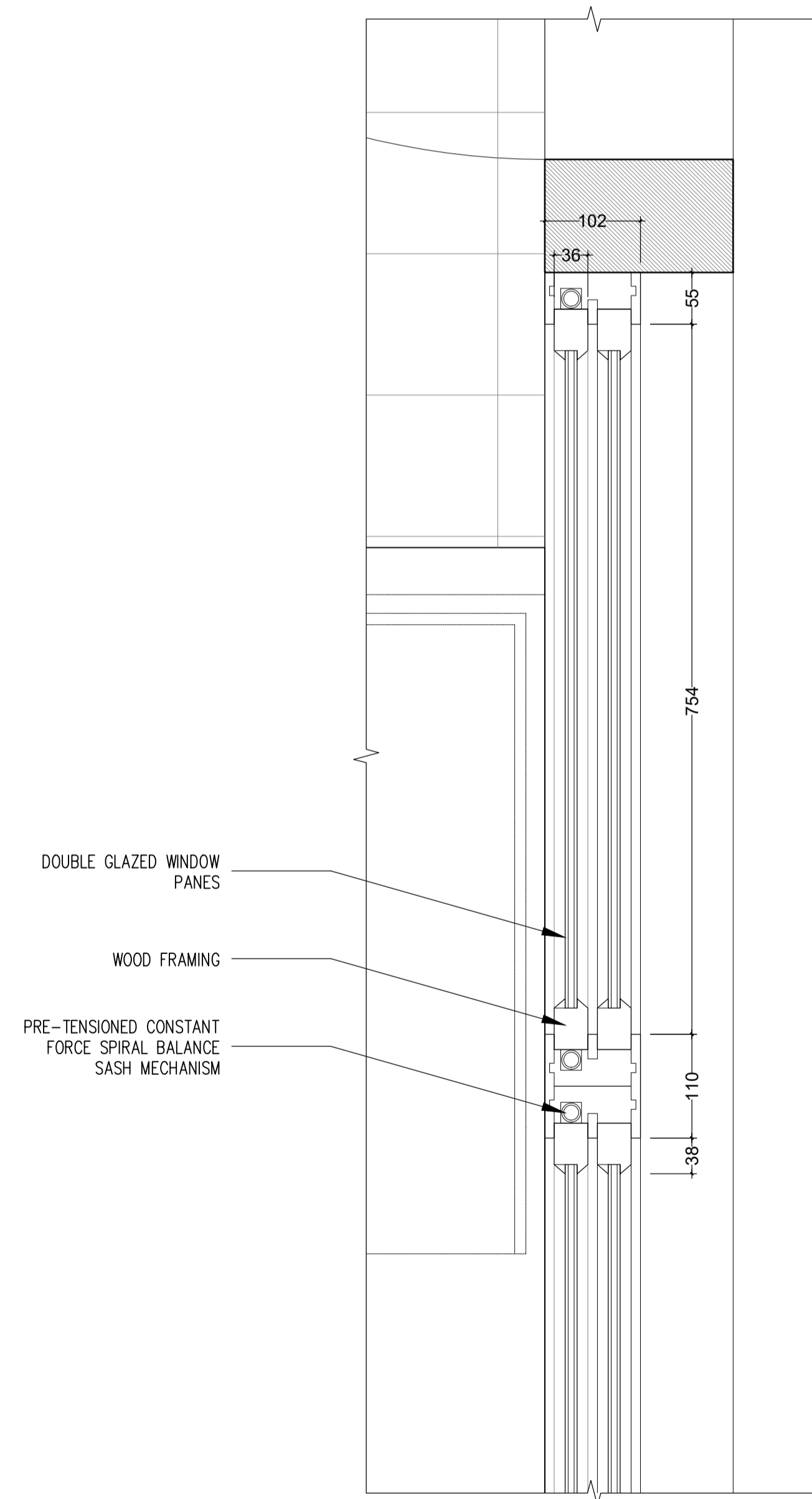
PROPOSED ELEV. SECTION & PLAN

NOT FOR CONSTRUCTION

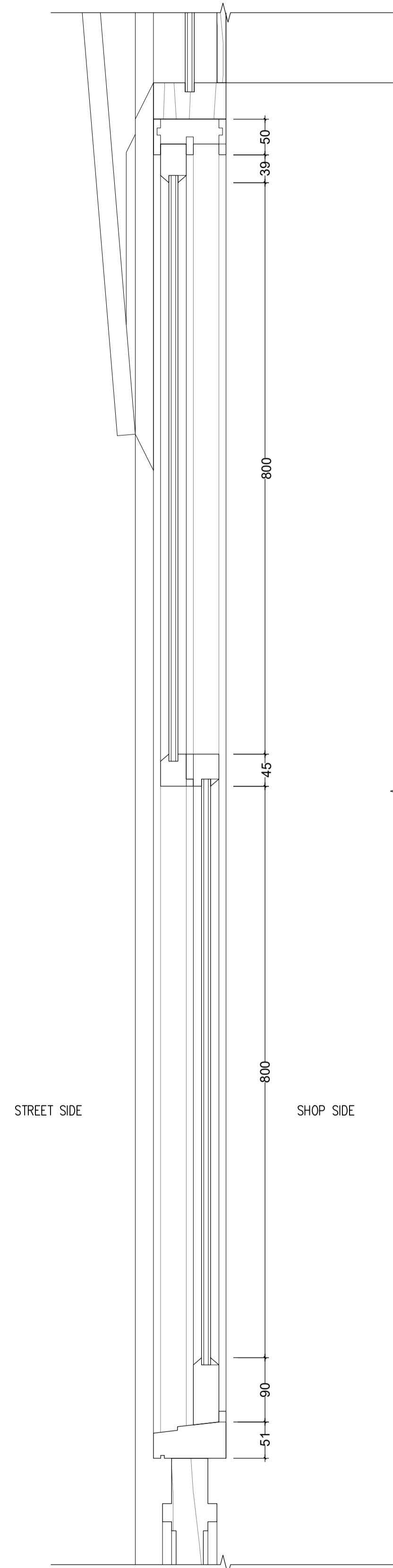
page number	2303
project number	2303
scale	AS NOTED
sheet number	A102.00

NOTES

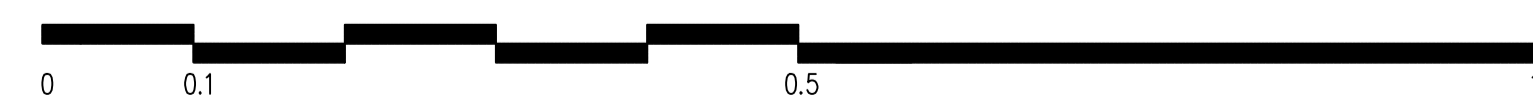
THE PROPOSED CHANGES TO THE EXISTING FACADE ARE THE WINDOW LAYOUT AND STALLRISER HEIGHT.
DRAWINGS ARE TO COMMUNICATE DESIGN INTENT ONLY.
THE CONTRACTOR IS TO VERIFY ALL DIMENSIONS AND CONDITIONS ON SITE.



02 PROPOSED WINDOW DETAIL PLAN
A103 1:5



01 PROPOSED WINDOW DETAIL SECTION
A103 1:5



GRT ARCHITECTS

ARCHITECT
GRT ARCHITECTS LLP
81 GREENPOINT AVENUE #509
BROOKLYN, NY 11222
+1 917 908 1888

OPERATIONS DIRECTOR
FMS PROJECTS
41-43 BROOK STREET
LONDON W1K 4HF, UK

TENANT
IT'S BAGELS
65 REGENTS PARK ROAD
LONDON NW1 8XD, UK

EQUIPMENT CONSULTANT
GALGORM GROUP
7 COBBLE ROAD
BALLINACRA, BT16 1JQ, UK
+44 28 2564 3211

PROJECT MANAGER
JOHNSTON SHIELDS
8, 30 (HONG) WINDS, M3008
+44 7971 380 822

description	date
COUNCIL SUBMISSION: FACADE REV.	05/09/2024

IT'S BAGELS
65 REGENTS PARK ROAD LONDON NW1 8XD, UK

PROPOSED DETAIL SECTION & PLAN

NOT FOR CONSTRUCTION

page number
project number 2303
scale AS NOTED
sheet number

A103.00