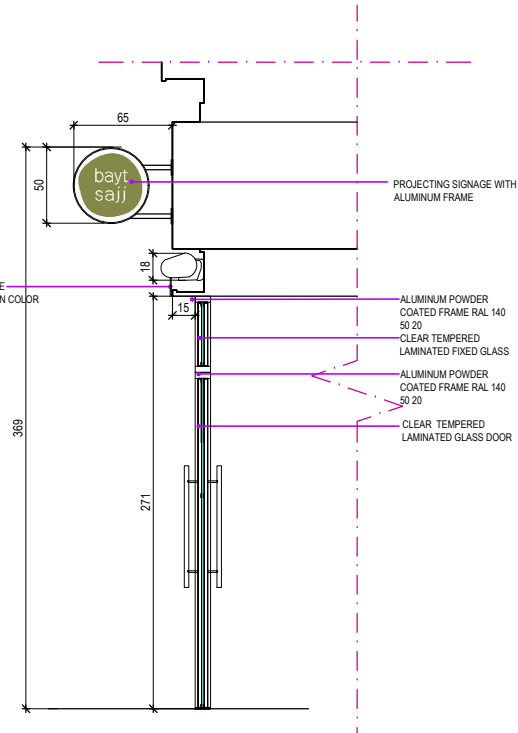
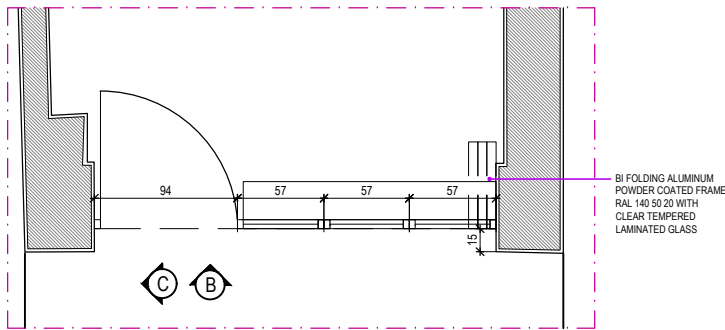


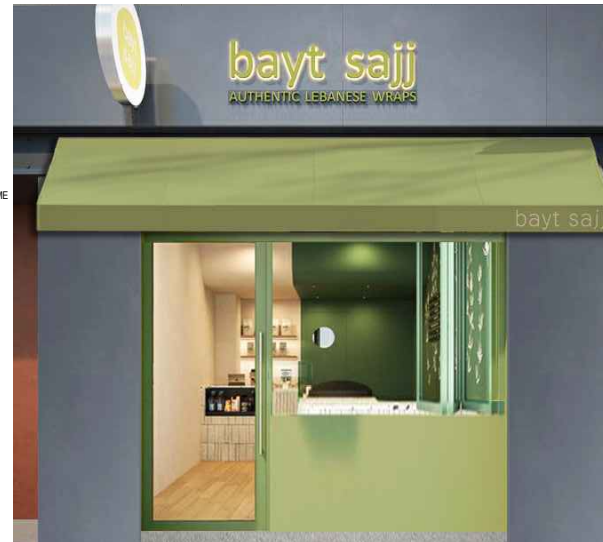
B ELEVATION SC:1/50
@BAYT SAJ HOLBORN



C SECTION SC:1/50
@BAYT SAJ HOLBORN



A PLAN SC:1/50
@BAYT SAJ HOLBORN



PROJECT:
BAYT SAJ HOLBORN
LOCATION: 114- 118 Southampton Row London WC1B 5AA
APPLICANT: HOLBORN SAJ LTD

ARCHITECTS MB DESIGN STUDIOS www.mbdesignstudios.com
--

DRAWING Title:
STORE PLANING PROPOSED SHOPFRONT
DRAWING #: 102_0-01
DWG ISSUE DATE: 13/05/2024
ORIG. DWG SIZE: (A4) SCALE: 1:50 SHE. 01 of 01