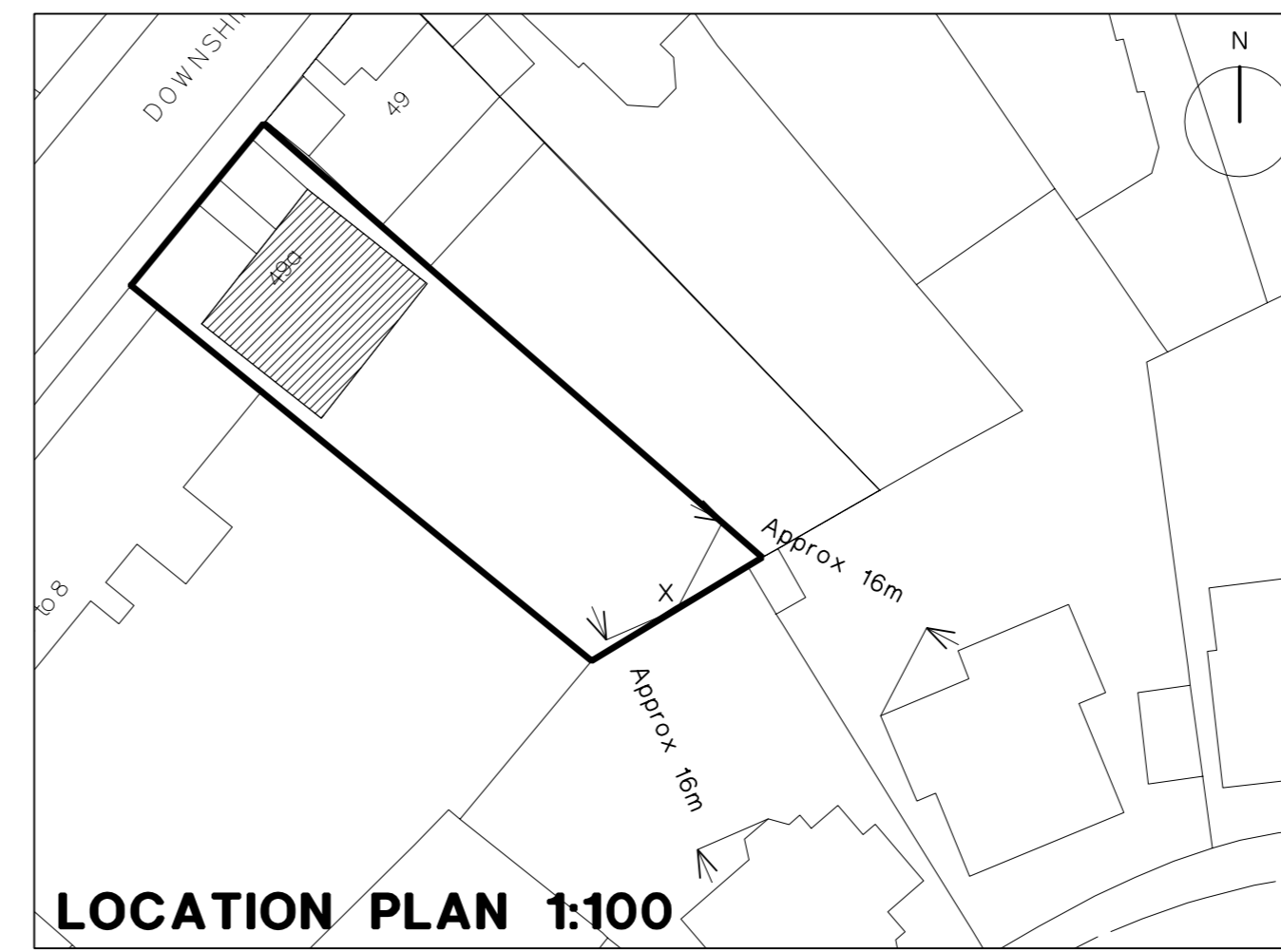
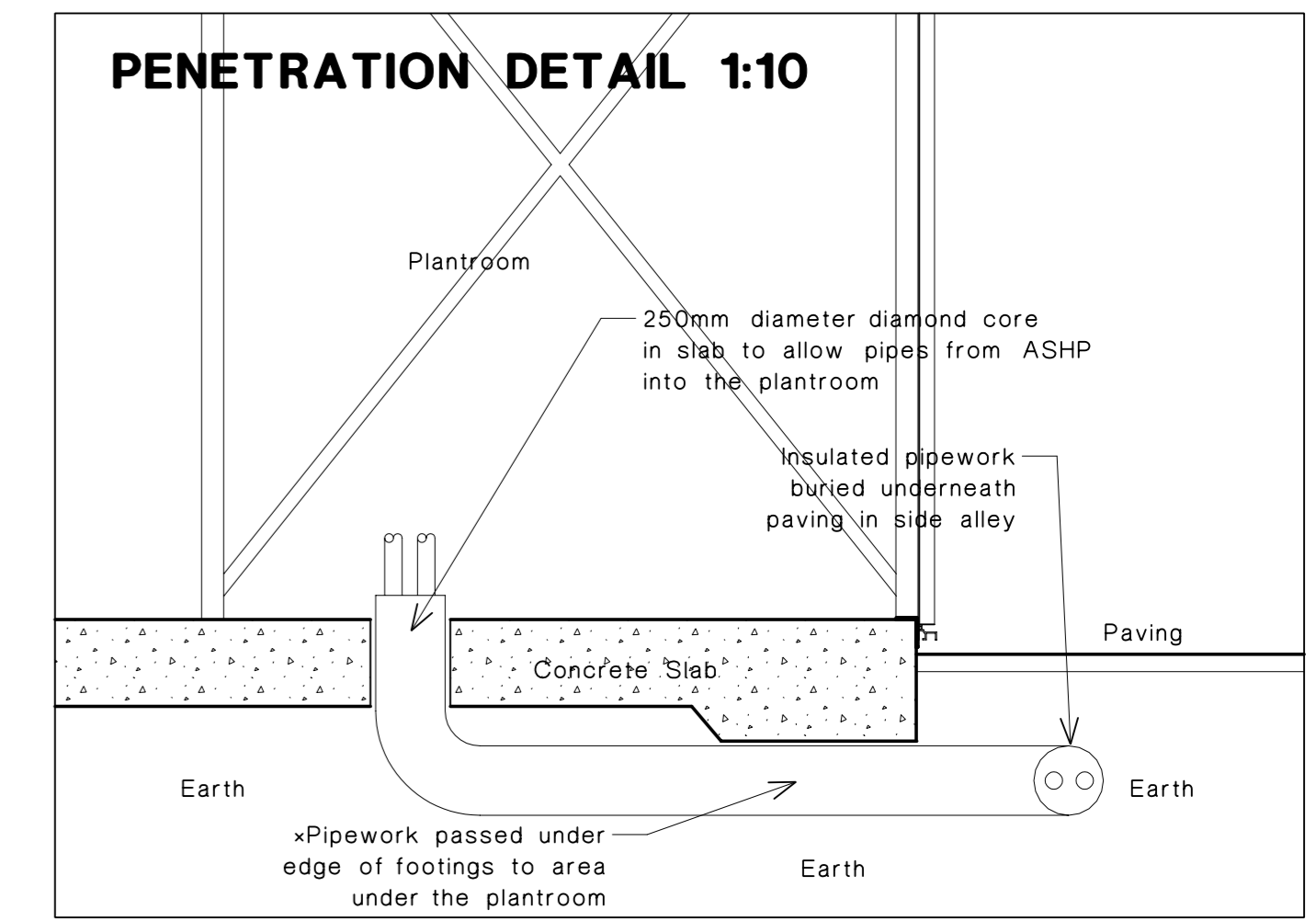


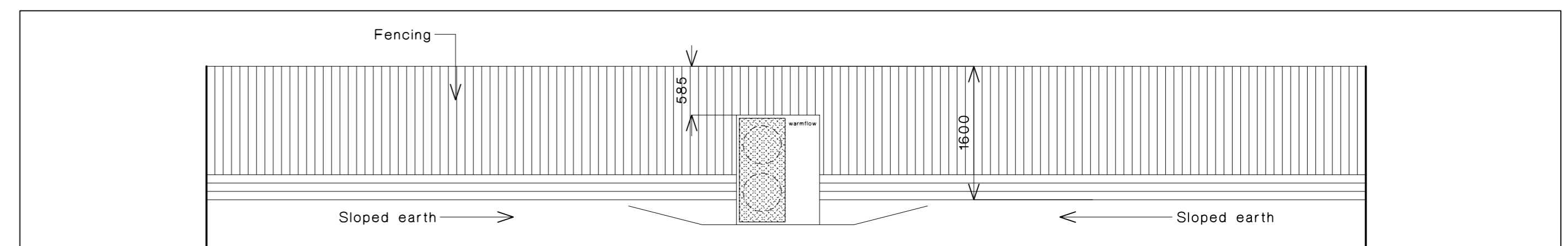
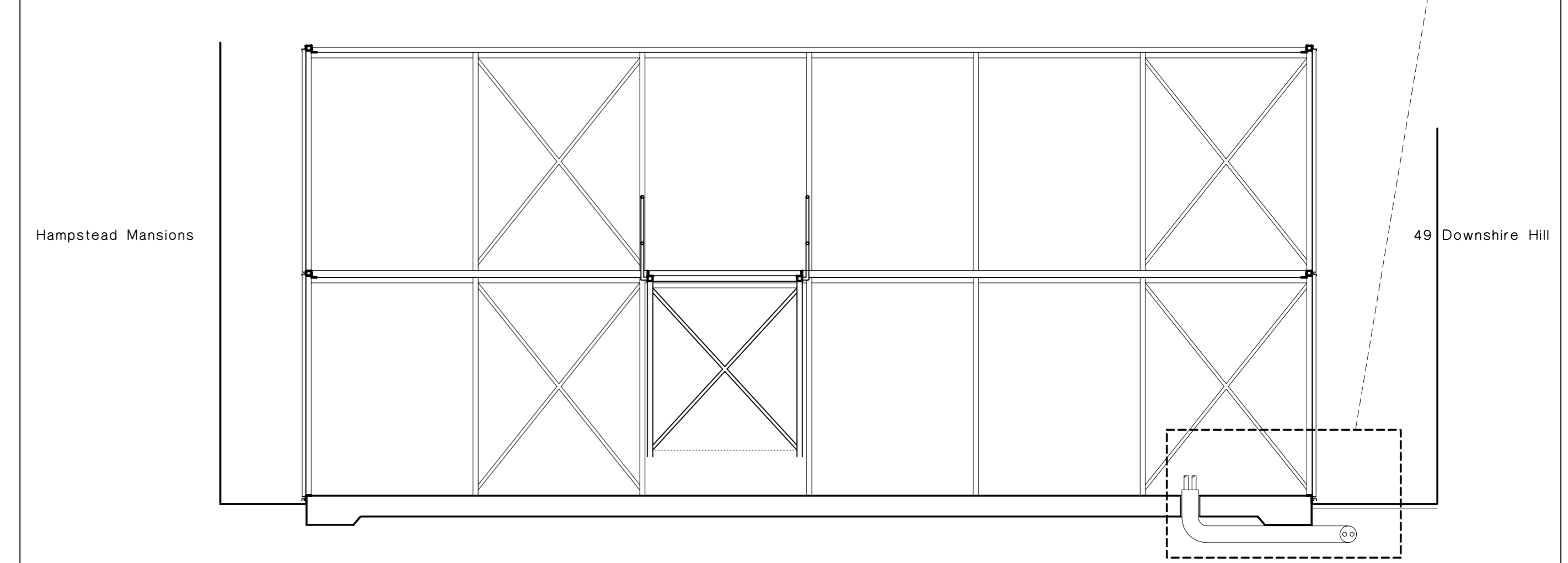
GARDEN LEVEL PLAN 1:100



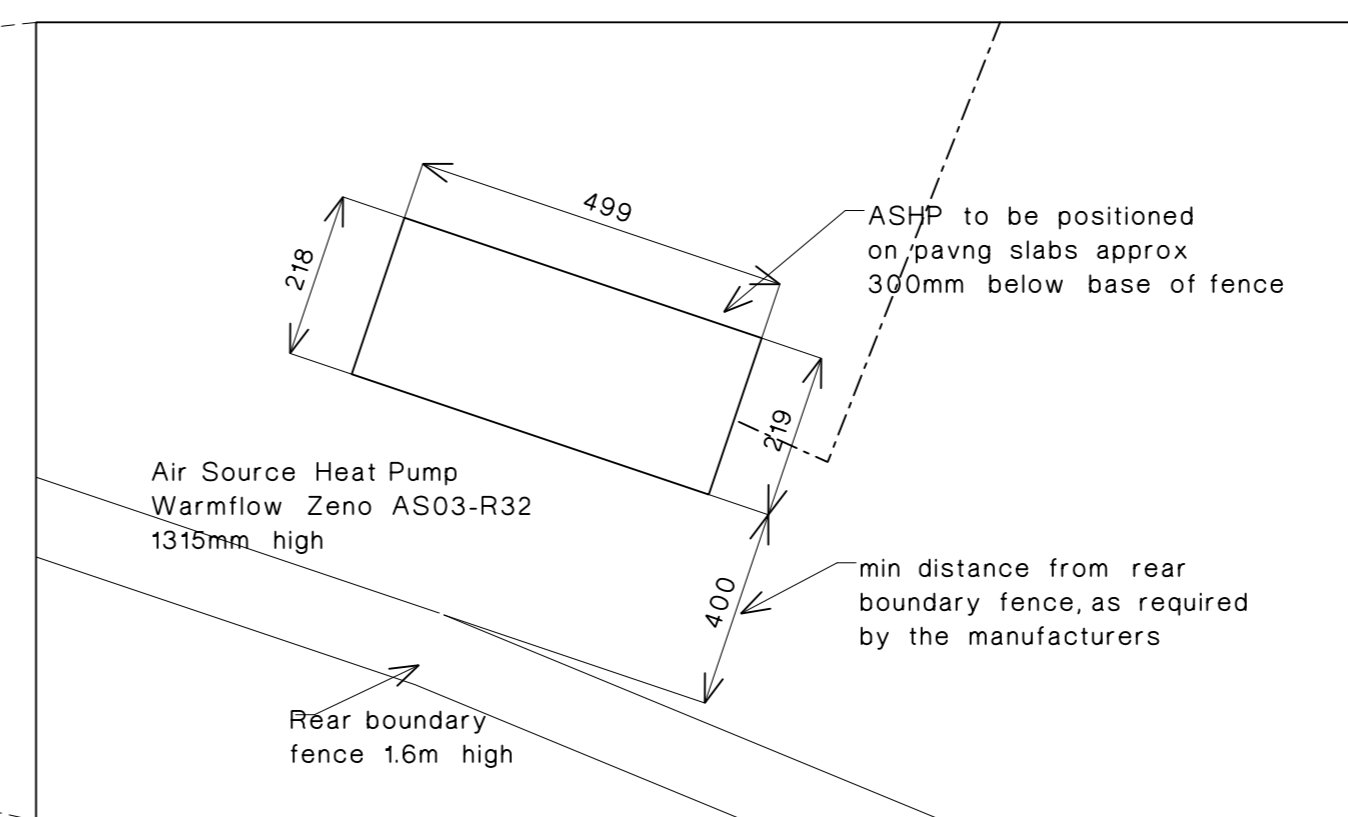
LOCATION PLAN 1:100



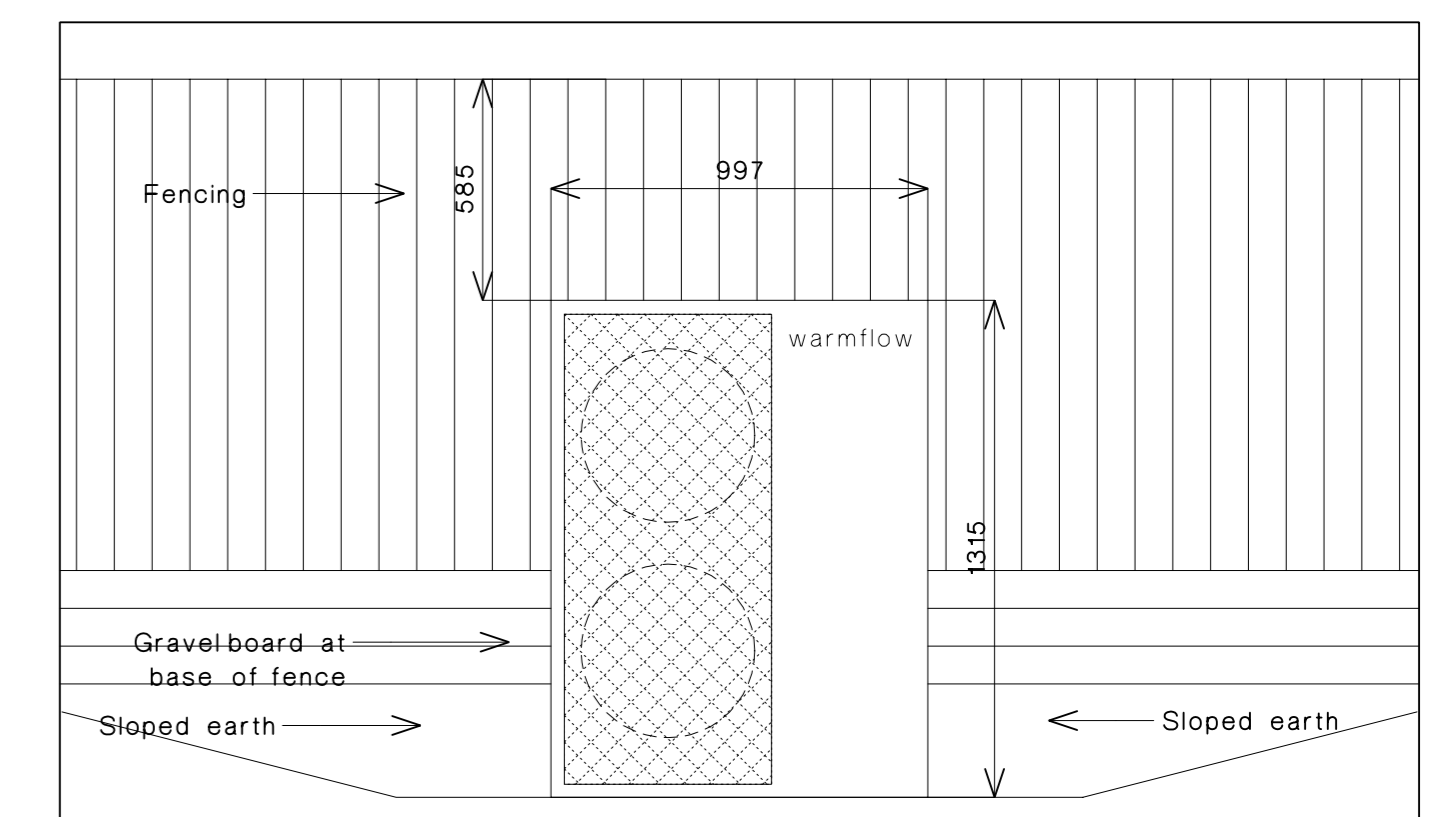
HOUSE SECTION 1:50



REAR FENCE ELEVATION 1:50



AIR SOURCE HEAT PUMP PLAN 1:20



AIR SOURCE HEAT PUMP ELEVATION 1:20

LISTED BUILDING CONSENT

Work Package	Information	Tender	Briefing	Construct.	Work Package	Information	Tender	Briefing	Construct.	Date	Ref.	Revision	Date	Ref.	Revision	Project	Subject	Scale	Date	Project Ref.	Drawing No.	Rev.	
										24.04.2024	-	Issued for Listed Building Consent	24.04.2024	-	Issued for Listed Building Consent	49a Downshire Hill, London NW3 1NX	PLANS - ashp positioning	VARIES	April 2024	DWH	ASHP 001	A	
										15.05.2024	A	Details added - Issued for Listed Building Consent											