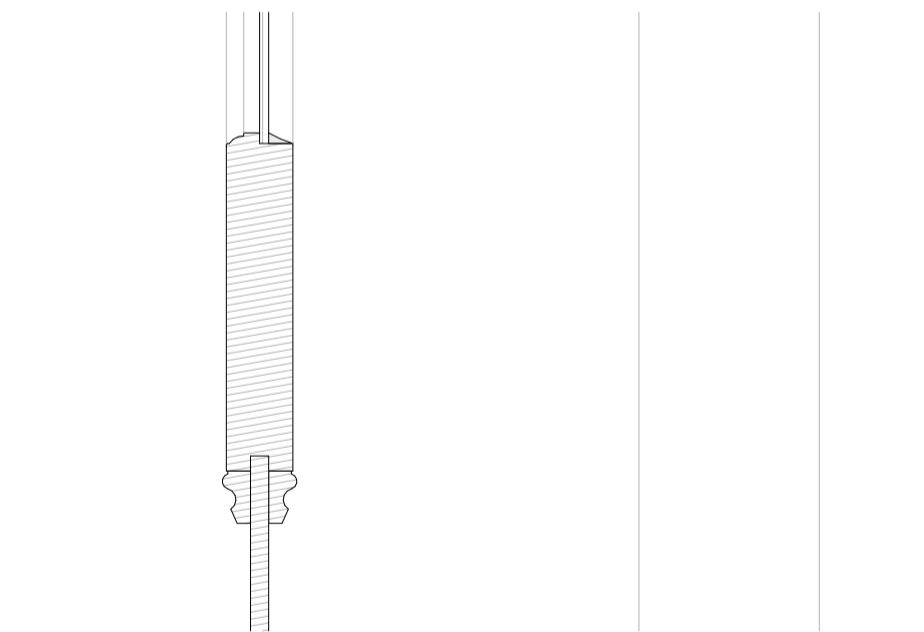


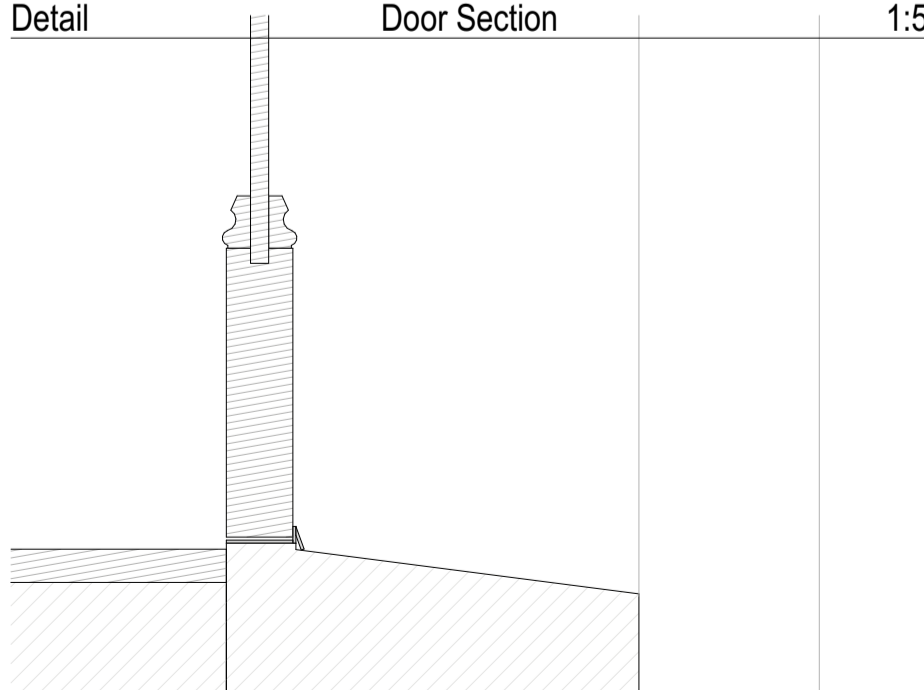
**PROPOSED SECTION OF DOOR DL0-03 (LOWER GROUND FLOOR)**

1. Existing frame other woodwork to be sanded down and refurbished/ repaired and repainted.
2. Existing door panels to be retained but removed and refurbished.
3. Glazed panels to use 6mm thick 'mono' double glazed units

Detail Door Section 1:5



Detail Door Section 1:5



Detail Door Section 1:5

**Notes**

Simon Merrony Architects Limited has prepared this document in accordance with the instructions of the Client under the agreed appointment.

This document is for the sole and specific use of the Client. Simon Merrony Architects shall not be responsible for any use of its contents for any purpose other than that for which it was prepared and provided.

**This drawing must not be used on site unless issued for construction.**

Do not scale from this drawing. All dimensions to be site checked and verified. Any deviations to be reported and confirmed. If in doubt ask.

No encroachment is permitted over adjoining neighbours' boundary without prior written agreement between both parties. True line of boundary and ownership to be established on site.

Neighbouring properties have not been surveyed.

Should the Client pass copies of this document to other parties, this should be for co-ordination purposes only. In this case no professional liability or warranty shall be extended to the other parties without the explicit written agreement of Simon Merrony Architects Limited.

© Simon Merrony Architects 2024

Revision	Date	Comment	Published by
PC1	15.05.24	PLANNING	HAB

Simon Merrony Architects Co. Ltd

**SIMON MERRONY ARCHITECTS**

34 Thames Street  
Sunbury-on-Thames  
TW16 6AF

Job Title

**5 Prince Albert Road  
London  
NW1 7SN**

Drawing Name

**Proposed Door Section  
Details**

Drawing Status

**PLANNING**

Published by

**HAB**

Date 15/05/2024

Checked by

**SM**

Date 15/05/2024

Drawing Scale

**As Shown @ A3**

Drawing no.

**2023/07/PC02**

Revision

**PC1**