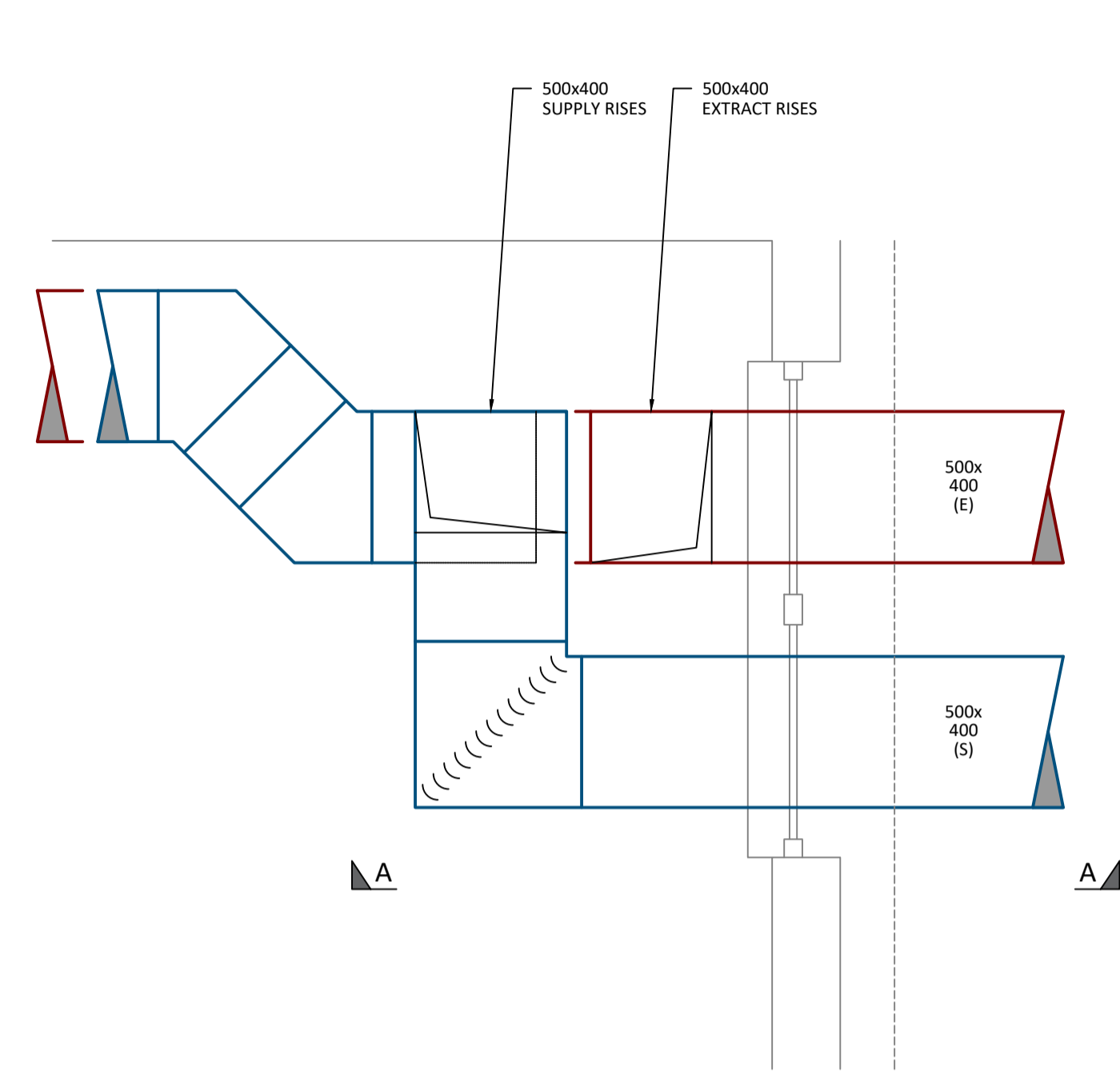


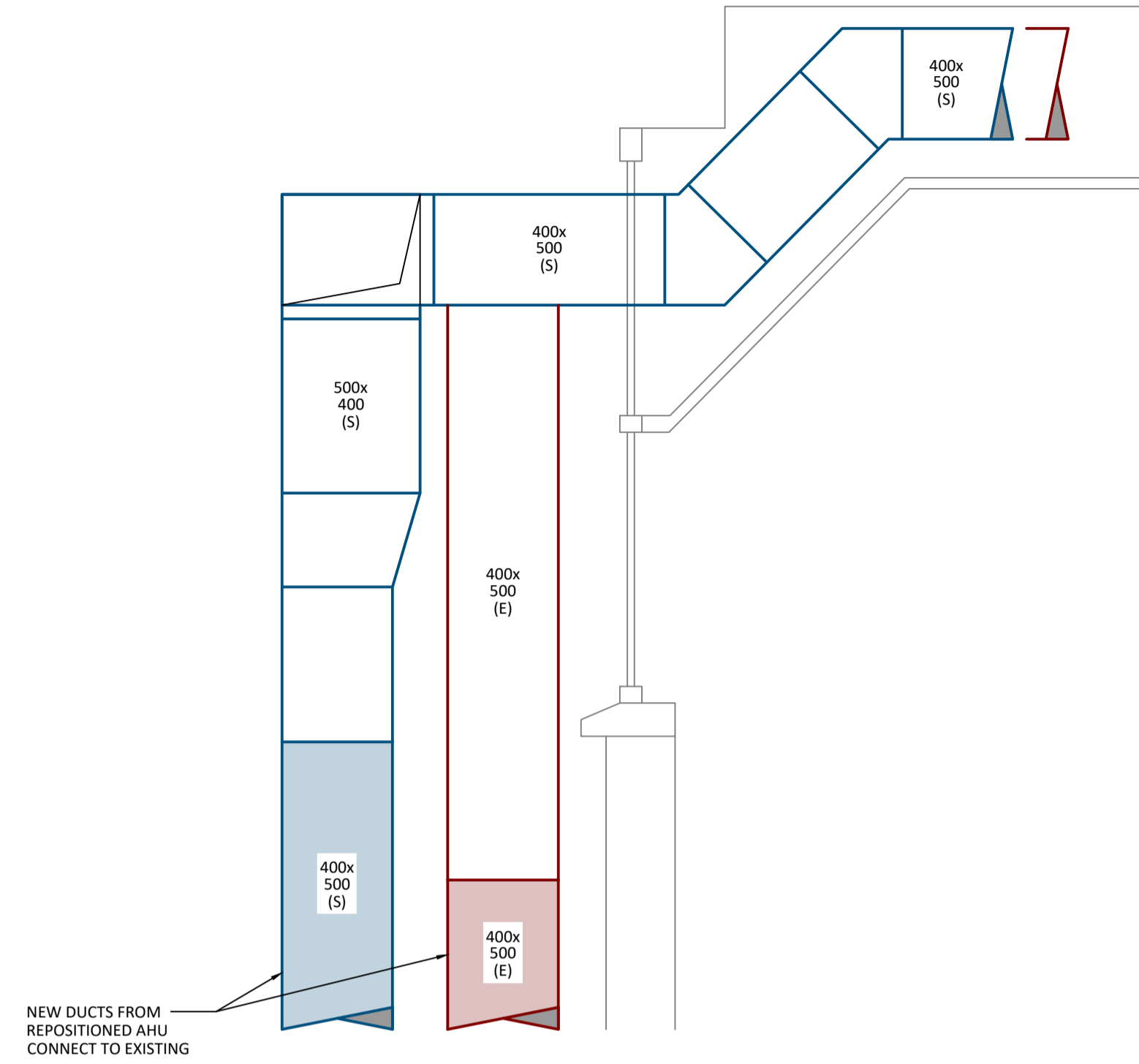
NOTES

- DO NOT SCALE FROM THIS DRAWING.
- THIS DRAWING IS TO BE READ IN CONJUNCTION WITH THE MECHANICAL SPECIFICATION.

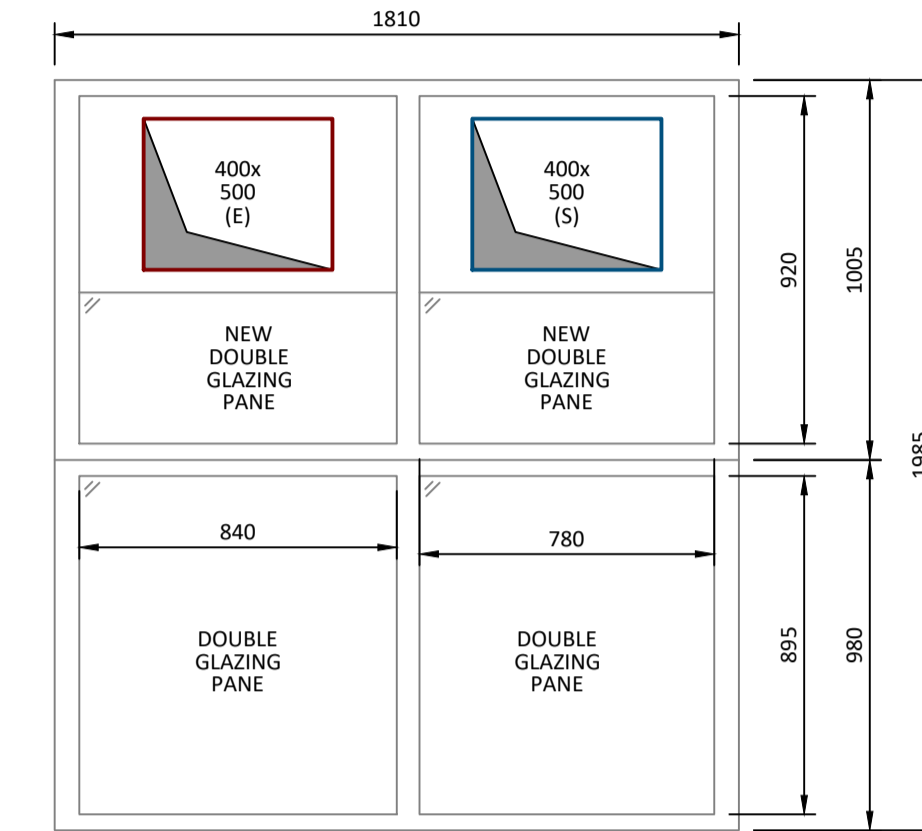
LEGEND



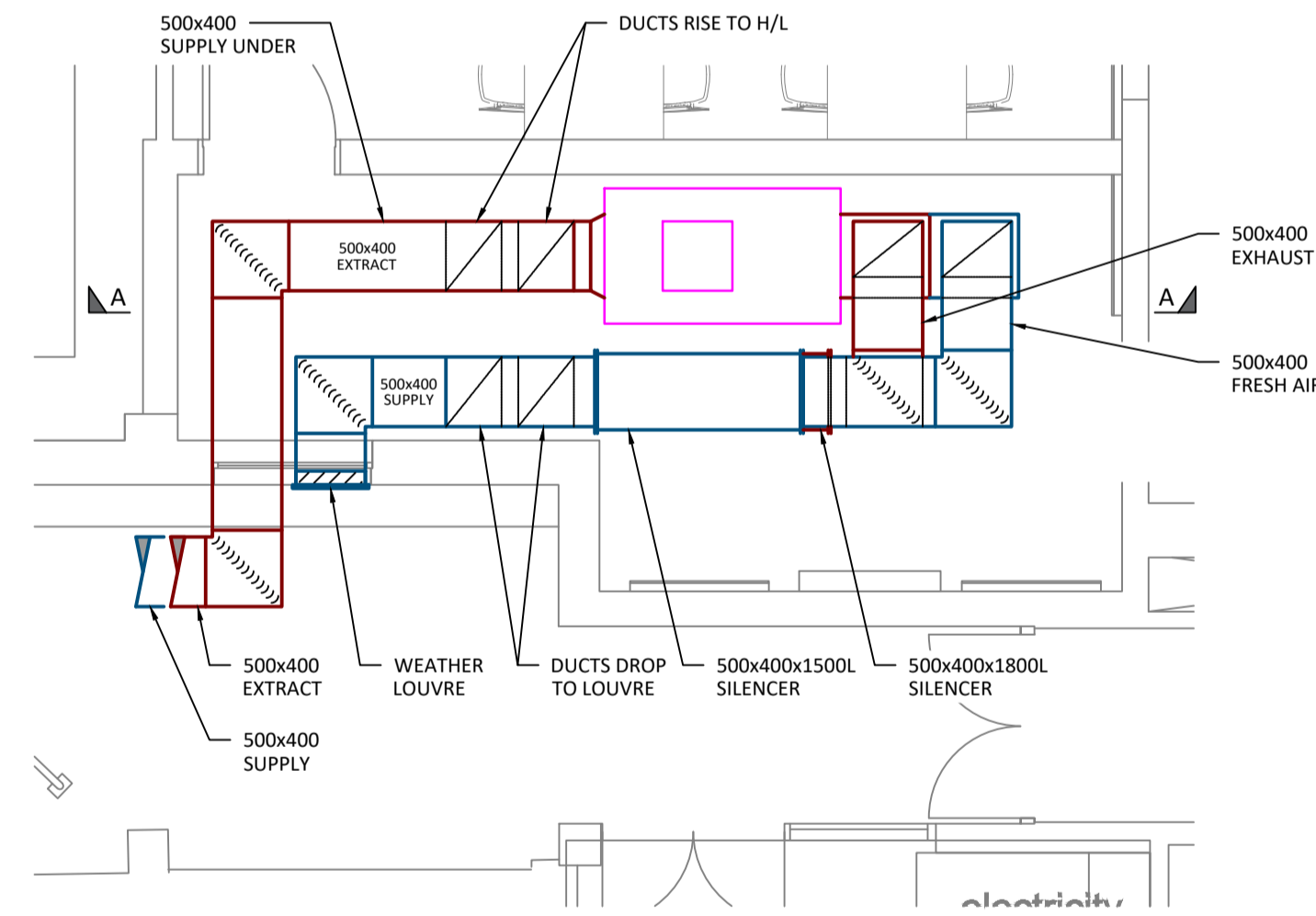
**GROUND FLOOR DUCT ENTRY DETAIL
PLAN
SCALE 1:20**



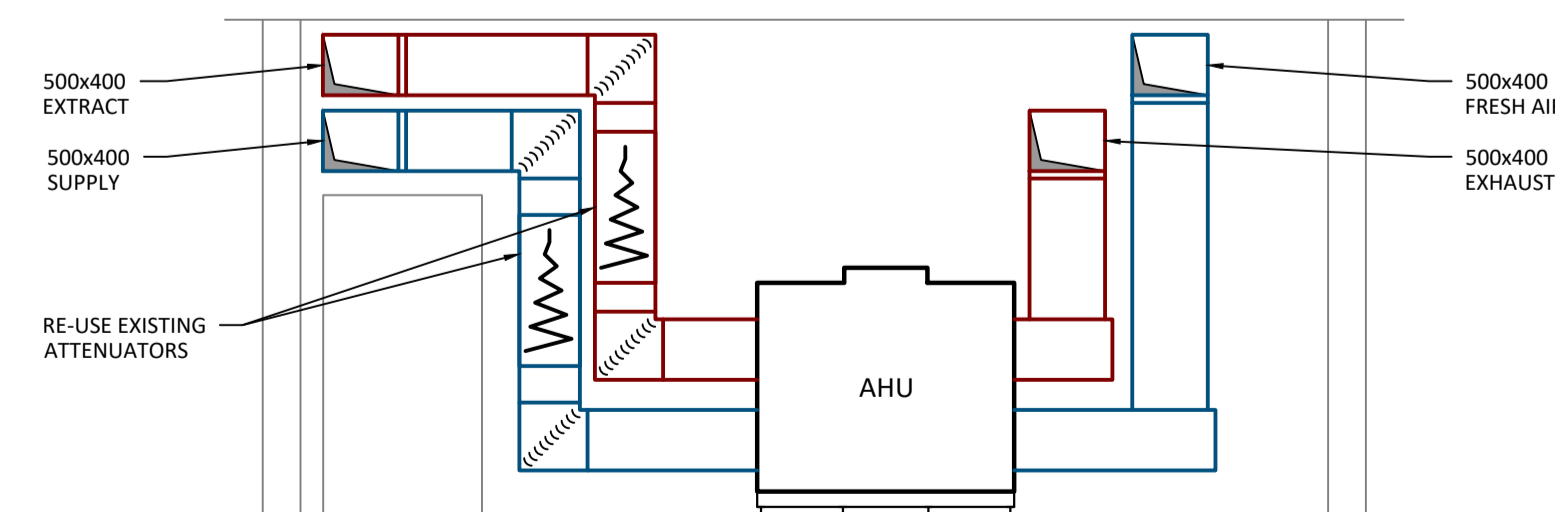
**SECTION A-A
SCALE 1:20**



**WINDOW ELEVATION
SCALE 1:20**



**EXTERNAL AHU
PLAN
SCALE 1:50**



**SECTION A-A
SCALE 1:50**

CONSTRUCTION

REV	DESCRIPTION	DATE	CHKD
C01	CONSTRUCTION ISSUE		MQ

VBS Building Services Engineers
Part of the **symmetry** group

70 Angel Hill, Sutton
Surrey, SM1 3EW
Tel: 020 8644 9203
Fax: 020 8644 9235
Email: post@vbs-td.co.uk
Web: www.vbs-td.co.uk

CLIENT: **INTERACTION**

PROJECT: **24-28 BLOOMSBURY WAY
WC1A 2SN**

TITLE: **VENTILATION DETAILS**

SCALE	PAGE SIZE	DATE
AS NOTED @ A1	A1	MAY 2023
DRAWN	ENGINEER	CHECKED
RCI	PD	PD

DRAWING No. **VBS-C4250-M-XX-001** REVISION **C01**