

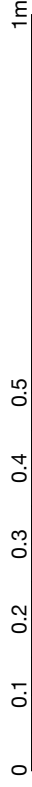
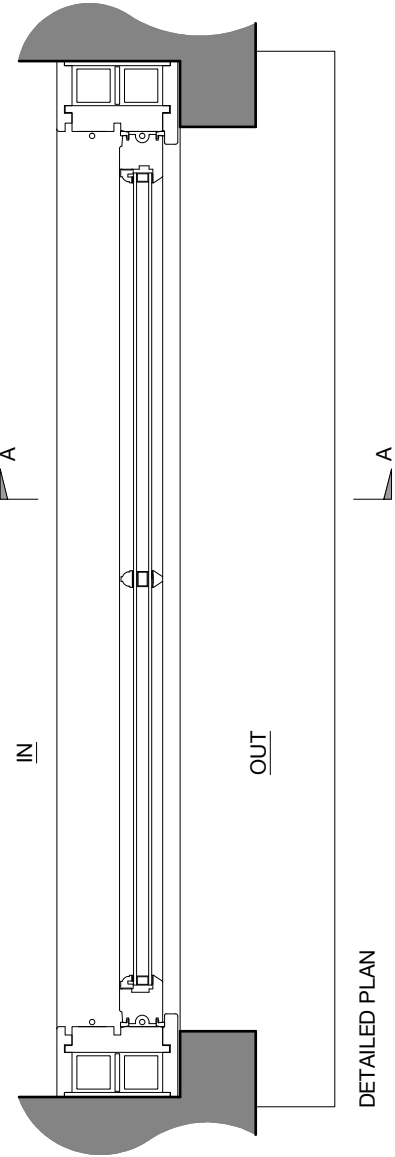
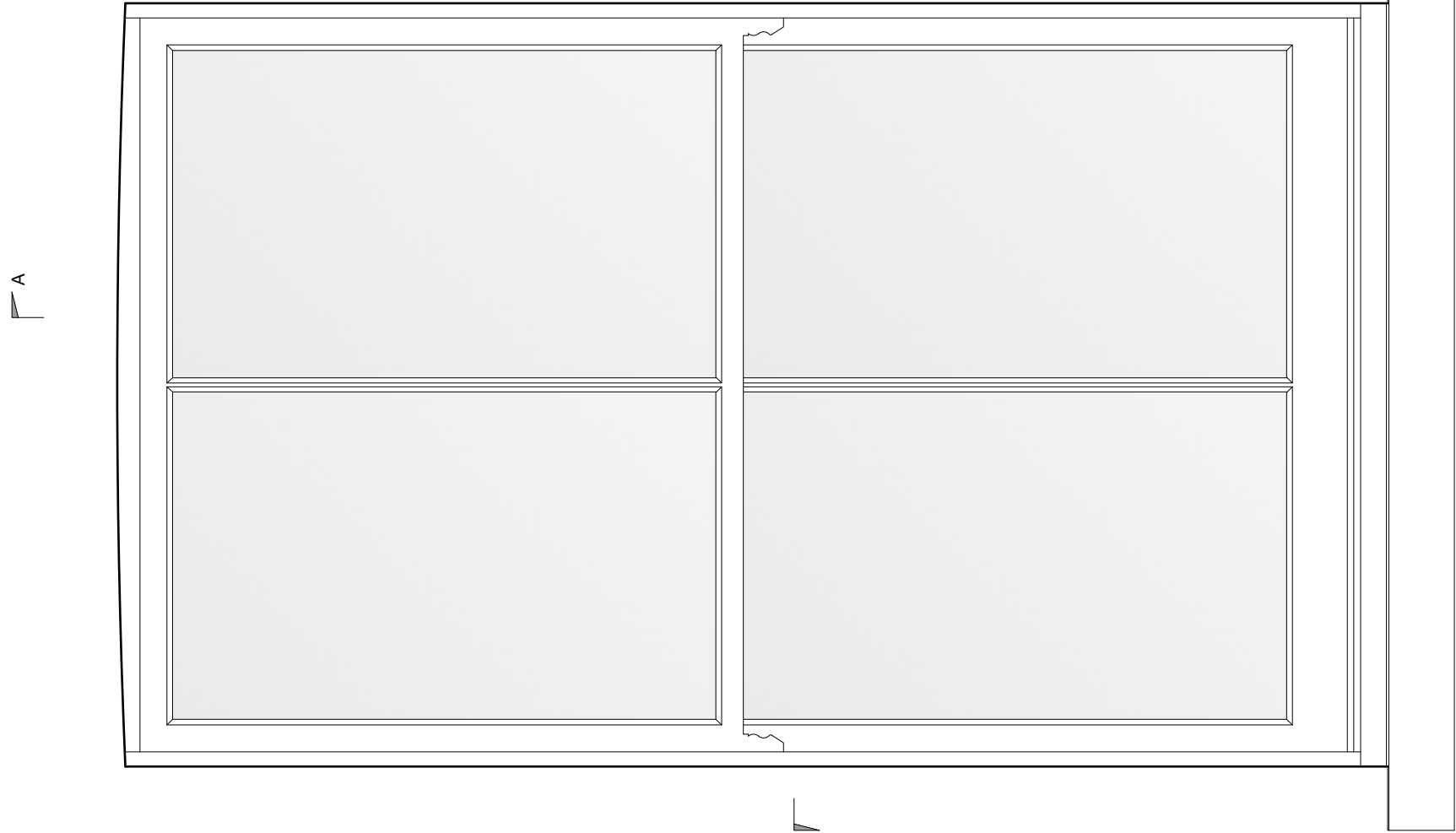
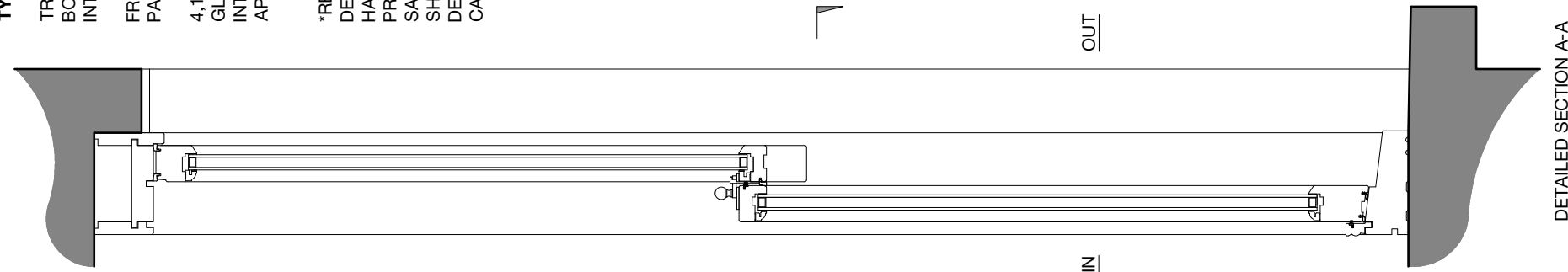
TYPICAL SASH WINDOW

TRADITIONAL VERTICAL SLIDING BOX SASH WINDOWS SET BACK INTO REBATED REVEALS.

FRAMES TO BE HARDWOOD, PAINTED WHITE.

4,16,4 CONSERVATION DOUBLE GLAZED UNITS TO BE USED WITH INTEGRAL GLAZING BARS WHERE APPLICABLE.*

*REFER TO MAIN ELEVATIONS FOR DETAILS OF WHICH WINDOWS HAVE GLAZING BARS AND, WHERE PRESENT, HOW THEY DIVIDE EACH SASH. A TYPICAL WINDOW IS SHOWN HERE. THE GLAZING BAR DETAIL WILL BE THE SAME IN ALL CASES.



GENERAL NOTES:
 THIS DRAWING TO BE USED FOR PLANNING PURPOSES ONLY. NOT FOR CONSTRUCTION.
 ALL DISCREPANCIES OR OMISSIONS ARE TO BE REPORTED TO THE ARCHITECT.
 THIS DRAWING IS COPYRIGHT. DO NOT REPRODUCE WITHOUT WRITTEN PERMISSION FROM THE AUTHOR.
 SEEK CLARIFICATION FROM THE ARCHITECT IF ANY ASPECT OF THIS DRAWING IS UNCLEAR
 SURVEY INFORMATION IS APPROXIMATED WHERE ACCESS DOES NOT PERMIT DIRECT MEASUREMENT

FIRST ISSUE	09/05/2024
REVISION	DATE
RICHARD BELL ARCHITECTURE	
17 HIGHGATE SPINNEY CRESCENT ROAD LONDON N8 5AR UK	
T: +44 20 3885 8328	E: info@richardbellarchitecture.com
W: www.richardbellarchitecture.com	ARCHITECT: RICHARD BELL FRBA
PROJECT ADDRESS 30 WOODSOME ROAD LONDON NW5 1RY	
DRAWING PROPOSED SASH WINDOW DETAILS	
SCALE 1:5 @ A1	
DRAWING No. 1804 2PA50	