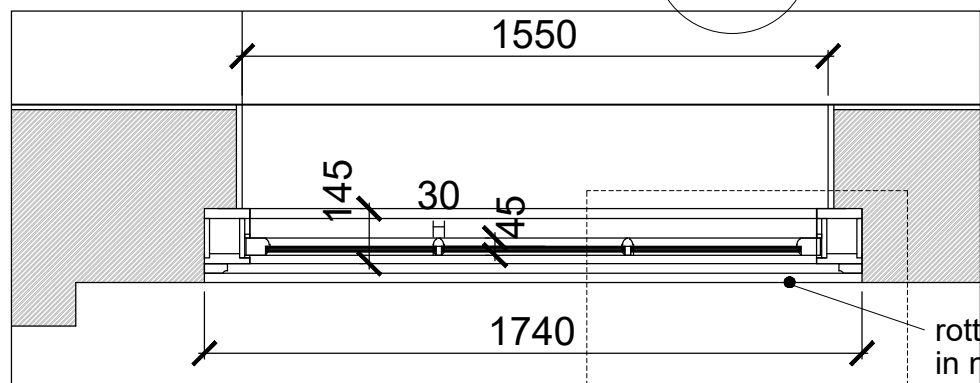


ELEVATION SASH WINDOW

85

rotten cill replaced in new oak profile to match original



PLAN WINDOW no. 85



Existing South West Elevation

Do not scale from this drawing
All dimensions are to be checked on site
Any discrepancies are to be reported immediately to the Architect or Main Contractor

COPYRIGHT © 2023
ALL RIGHTS RESERVED IN THE CHAPTER IV OF THE COPYRIGHT DESIGN AND PATENTS ACT 1988, HAVE BEEN GENERALLY ASSERTED

Notes:

Rev.	Date	Comment	By

Client:
CFBL French School
Holmes Road, Kentish Town, London NW5 3AX

Project:
Window Refurbishment

Drawing:
Type 2 Sash Window Repairs
Plan & Elevation
1st floor window no 85 Da Vinci Classroom

Project No. Drawing No. Issue Status
FS2023 SK02-2 P1 P

Scale: Date: Drawn By: Checked By:
1:20@A3 May 2023 FB FB

FRANCIS BIRCH ARCHITECT

Francis Birch Dipl Arch (Oxford) RIBA Architect
11 North Hill Avenue, Highgate, London N6 4RJ
T: 0208 342 8602
M: 07432 553861
E: fbirch123@gmail.com