

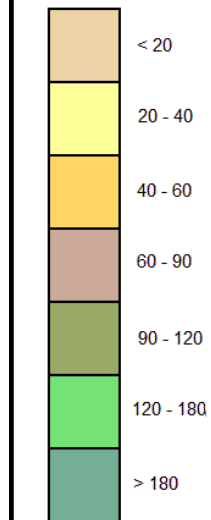
General

- Specified Site
- Specified Buffer(s)
- ✕ Bearing Reference Point

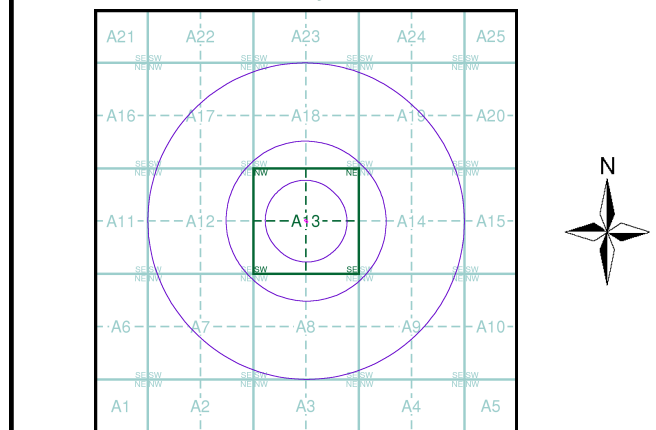
Urban Soil Chemistry Chromium

● BGS Urban Soil Chemistry Measured Concentration Values (mg/kg)

Chromium Concentrations mg/kg



Urban Soil Chemistry Chromium - Slice A

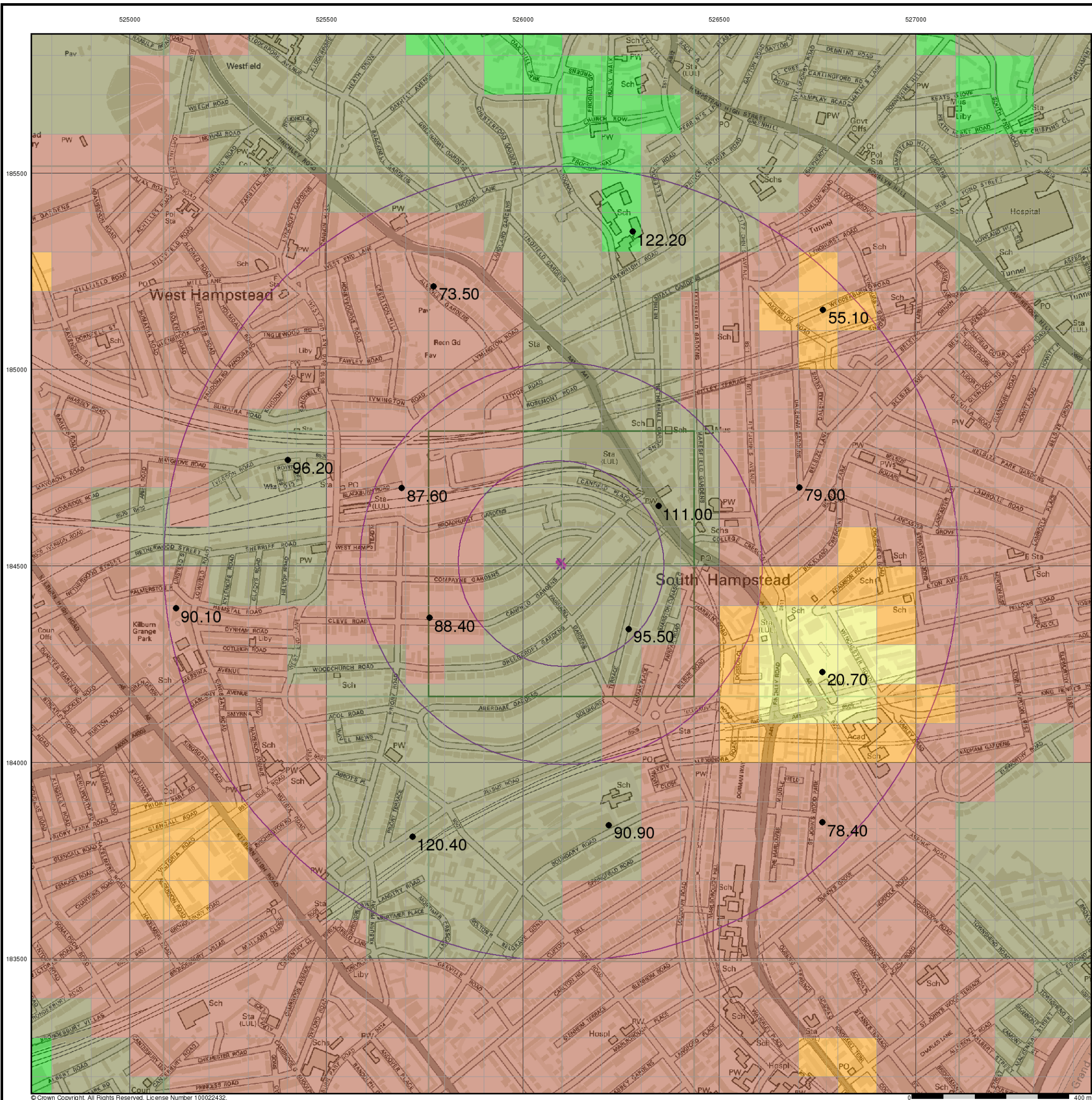


Order Details

Order Details: 9555052_1_1
 Customer Ref: 16/25536
 National Grid Reference: 526100, 184510
 Slice: A
 Site Area (Ha): 0.03
 Search Buffer (m): 1000

Site Details

28 Canfield Gardens, LONDON, NW6 3LA



© Crown Copyright. All Rights Reserved. License Number 100022432.

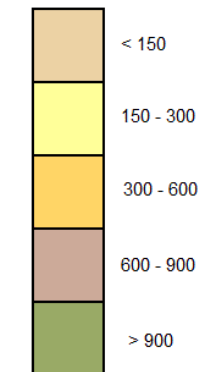
General

- ✱ Specified Site
- Specified Buffer(s)
- ✕ Bearing Reference Point

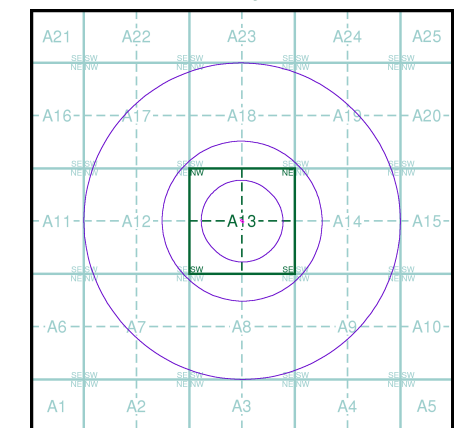
Urban Soil Chemistry Lead

● BGS Urban Soil Chemistry Measured Concentration Values (mg/kg)

Lead Concentrations mg/kg



Urban Soil Chemistry Lead - Slice A

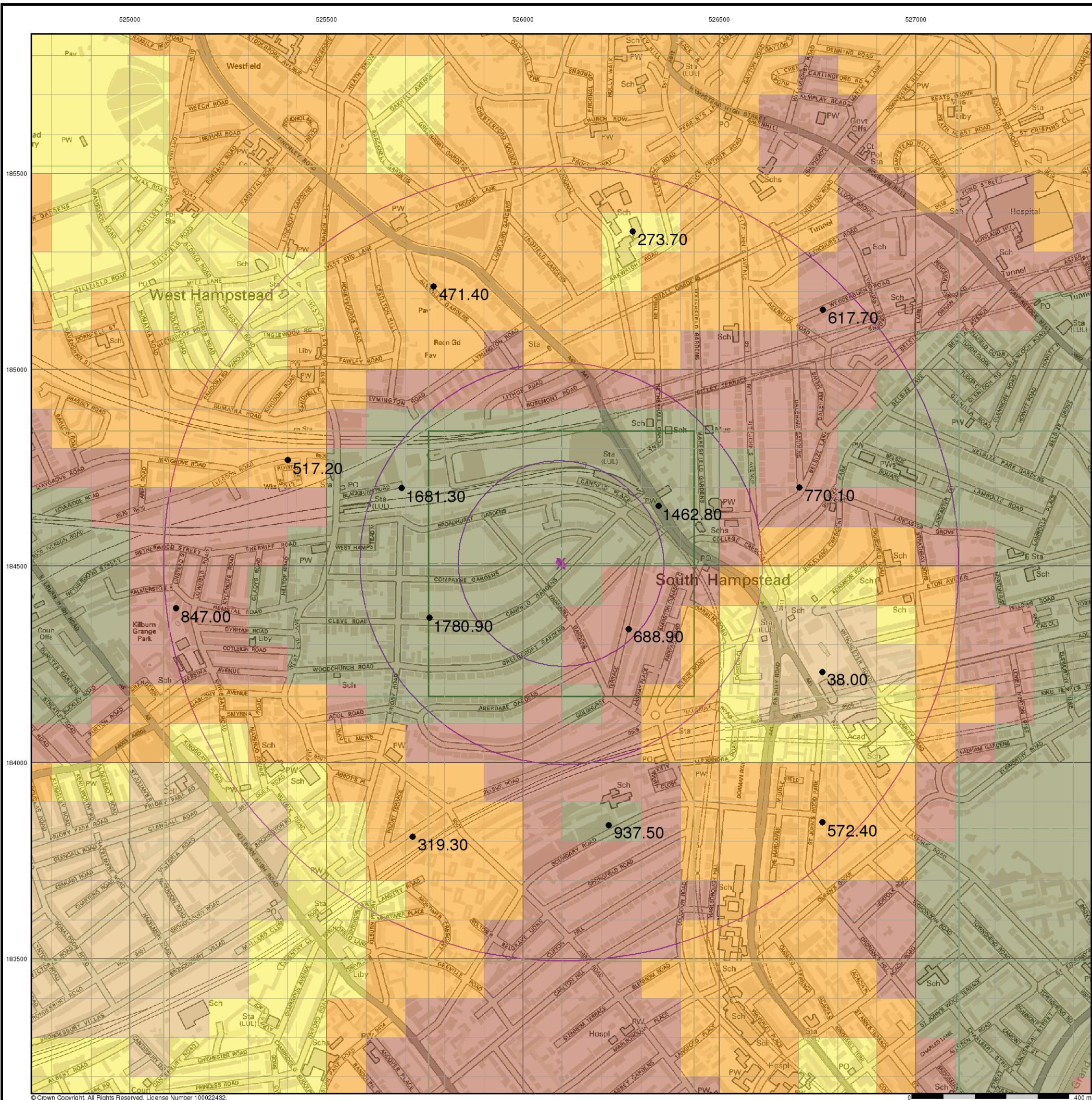


Order Details

Order Details: 9555052_1_1
 Customer Ref: 16/25536
 National Grid Reference: 526100, 184510
 Slice: A
 Site Area (Ha): 0.03
 Search Buffer (m): 1000

Site Details

28 Canfield Gardens, LONDON, NW6 3LA



© Crown Copyright. All Rights Reserved. License Number 100022432.

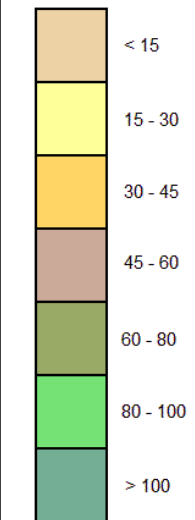
General

- Specified Site
- Specified Buffer(s)
- ✕ Bearing Reference Point

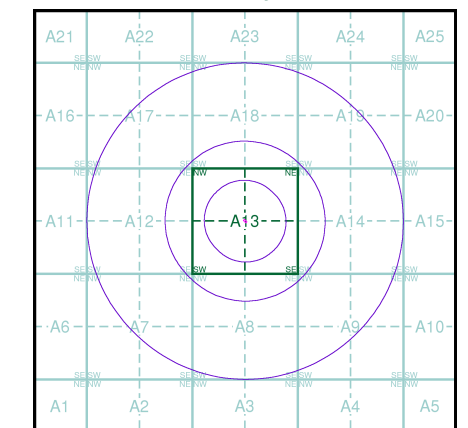
Urban Soil Chemistry Nickel

● BGS Urban Soil Chemistry Measured Concentration Values (mg/kg)

Nickel Concentrations mg/kg



Urban Soil Chemistry Nickel - Slice A

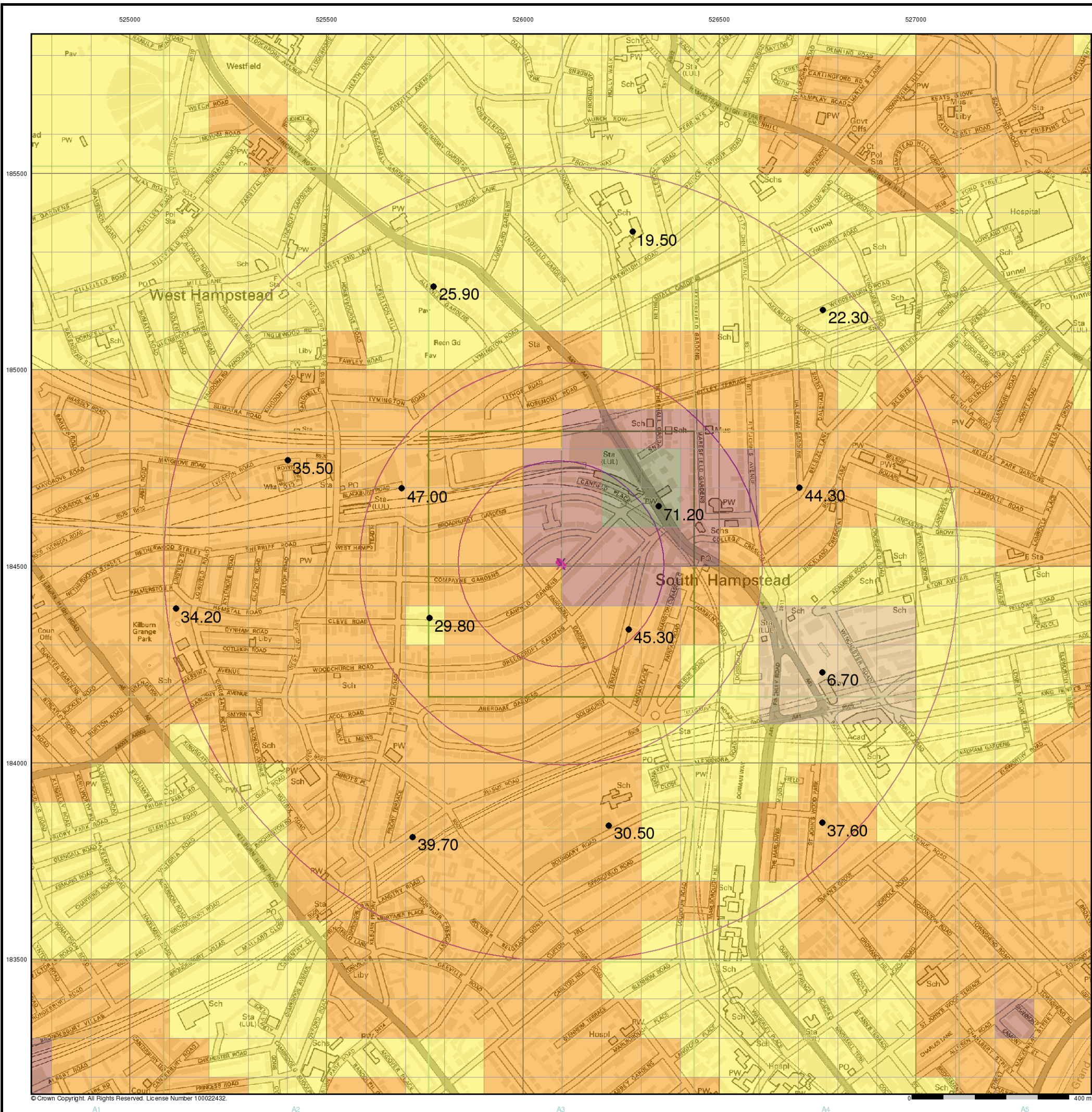


Order Details

Order Details: 9555052_1_1
 Customer Ref: 16/25536
 National Grid Reference: 526100, 184510
 Slice: A
 Site Area (Ha): 0.03
 Search Buffer (m): 1000

Site Details

28 Canfield Gardens, LONDON, NW6 3LA



© Crown Copyright. All Rights Reserved. License Number 100022432.

Historical Mapping Legends

Ordnance Survey County Series 1:10,560

| | | | | | |
|--|---|--|-----------------------------|--|---------------|
| | Gravel Pit | | Sand Pit | | Other Pits |
| | Quarry | | Shingle | | Orchard |
| | Osiers | | Reeds | | Marsh |
| | Mixed Wood | | Deciduous | | Brushwood |
| | Fir | | Furze | | Rough Pasture |
| | Arrow denotes flow of water | | Trigonometrical Station | | |
| | Site of Antiquities | | Bench Mark | | |
| | Pump, Guide Post, Signal Post | | Well, Spring, Boundary Post | | |
| | -285 Surface Level | | | | |
| | Sketched Contour | | Instrumental Contour | | |
| | Main Roads | | Minor Roads | | |
| | Sunken Road | | Raised Road | | |
| | Road over Railway | | Railway over River | | |
| | Railway over Road | | Level Crossing | | |
| | Road over River or Canal | | Road over Stream | | |
| | Road over Stream | | | | |
| | County Boundary (Geographical) | | | | |
| | County & Civil Parish Boundary | | | | |
| | Administrative County & Civil Parish Boundary | | | | |
| | County Borough Boundary (England) | | | | |
| | County Burgh Boundary (Scotland) | | | | |
| | Rural District Boundary | | | | |
| | Civil Parish Boundary | | | | |

Ordnance Survey Plan 1:10,000

| | | | |
|--|---|--|-----------------------------|
| | Chalk Pit, Clay Pit or Quarry | | Gravel Pit |
| | Sand Pit | | Disused Pit or Quarry |
| | Refuse or Slag Heap | | Lake, Loch or Pond |
| | Dunes | | Boulders |
| | Coniferous Trees | | Non-Coniferous Trees |
| | Orchard | | Scrub |
| | Coppice | | Heath |
| | Rough Grassland | | Marsh |
| | Reeds | | Saltings |
| | Building | | Glasshouse |
| | Sloping Masonry | | Pylon |
| | Electricity Transmission Line | | Pole |
| | Cutting | | Embankment |
| | Standard Gauge Multiple Track | | Standard Gauge Single Track |
| | Siding, Tramway or Mineral Line | | Narrow Gauge |
| | Geographical County | | |
| | Administrative County, County Borough or County of City | | |
| | Municipal Borough, Urban or Rural District, Burgh or District Council | | |
| | Borough, Burgh or County Constituency Shown only when not coincident with other boundaries | | |
| | Civil Parish Shown alternately when coincidence of boundaries occurs | | |
| | BP, BS Boundary Post or Stone | | Pol Sta Police Station |
| | Ch Church | | PO Post Office |
| | CH Club House | | PC Public Convenience |
| | F E Sta Fire Engine Station | | PH Public House |
| | FB Foot Bridge | | SB Signal Box |
| | Fn Fountain | | Spr Spring |
| | GP Guide Post | | TCB Telephone Call Box |
| | MP Mile Post | | TCP Telephone Call Post |
| | MS Mile Stone | | W Well |

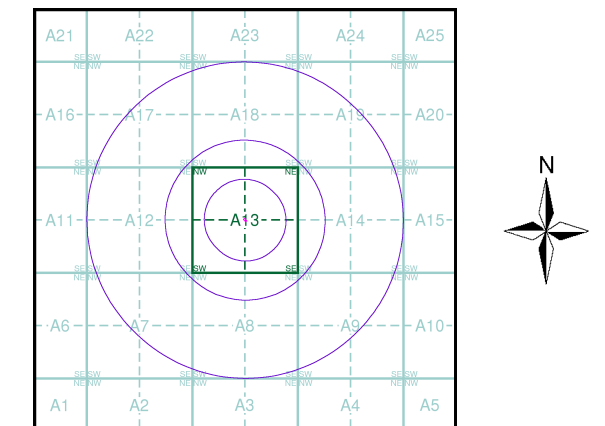
1:10,000 Raster Mapping

| | | | |
|--|--|--|--|
| | Gravel Pit | | Refuse tip or slag heap |
| | Rock | | Rock (scattered) |
| | Boulders | | Boulders (scattered) |
| | Shingle | | Mud |
| | Sand | | Sand Pit |
| | Slopes | | Top of cliff |
| | General detail | | Underground detail |
| | Overhead detail | | Narrow gauge railway |
| | Multi-track railway | | Single track railway |
| | County boundary (England only) | | Civil, parish or community boundary |
| | District, Unitary, Metropolitan, London Borough boundary | | Constituency boundary |
| | Area of wooded vegetation | | Non-coniferous trees |
| | Non-coniferous trees (scattered) | | Coniferous trees |
| | Coniferous trees (scattered) | | Positioned tree |
| | Orchard | | Coppice or Osiers |
| | Rough Grassland | | Heath |
| | Scrub | | Marsh, Salt Marsh or Reeds |
| | Water feature | | Flow arrows |
| | MHW(S) Mean high water (springs) | | MLW(S) Mean low water (springs) |
| | Telephone line (where shown) | | Electricity transmission line (with poles) |
| | Bench mark (where shown) | | Triangulation station |
| | Point feature (e.g. Guide Post or Mile Stone) | | Pylon, flare stack or lighting tower |
| | Site of (antiquity) | | Glasshouse |
| | General Building | | Important Building |

Historical Mapping & Photography included:

| Mapping Type | Scale | Date | Pg |
|-------------------------------|----------|-------------|----|
| Middlesex | 1:10,560 | 1873 - 1874 | 3 |
| London | 1:10,560 | 1896 | 4 |
| London | 1:10,560 | 1920 | 5 |
| Historical Aerial Photography | 1:10,560 | 1950 | 6 |
| Ordnance Survey Plan | 1:10,000 | 1951 | 7 |
| Ordnance Survey Plan | 1:10,000 | 1957 - 1958 | 8 |
| Ordnance Survey Plan | 1:10,000 | 1967 - 1968 | 9 |
| Ordnance Survey Plan | 1:10,000 | 1974 - 1978 | 10 |
| Ordnance Survey Plan | 1:10,000 | 1984 | 11 |
| London | 1:25,000 | 1985 | 12 |
| Ordnance Survey Plan | 1:10,000 | 1991 - 1996 | 13 |
| 10K Raster Mapping | 1:10,000 | 1999 | 14 |
| 10K Raster Mapping | 1:10,000 | 2006 | 15 |
| VectorMap Local | 1:10,000 | 2016 | 16 |

Historical Map - Slice A



Order Details

Order Number: 95555052_1_1
 Customer Ref: 16/25536
 National Grid Reference: 526100, 184510
 Slice: A
 Site Area (Ha): 0.03
 Search Buffer (m): 1000

Site Details

28 Canfield Gardens, LONDON, NW6 3LA

Russian Military Mapping Legends

1:5,000 and 1:10,000 mapping

a. Not drawn to scale b. Drawn to scale

| | | | |
|--|--|--|---|
| | Government and Administrative Buildings | | Military and Industrial Buildings |
| | Military and Communication Areas | | Subway Entrance |
| | Fireproof Building | | Prominent Fireproof Building |
| | Non-fireproof Building | | Non-fireproof Building (non-dwelling) |
| | Factory, mill, and flour mill, with chimneys | | Factory, mill, and flour mill, without chimneys |
| | Power Station, drawn to scale | | Hydroelectric Power Station |
| | Radio Station, drawn to scale | | Telephone Station, drawn to scale |
| | Abandoned Open-pit Mine or Quarry | | Open-pit Salt Mine |
| | Pit | | Oil Deposit or Well |
| | Oil Seepage | | Natural Gas Tank |
| | Tailings Pile | | Fuel Storage Tanks |
| | Bench Mark | | Drill Hole |
| | Burial Mound | | Triangulation Point on Burial Mound |
| | Single-track Railroad | | Double-track Railroad |
| | Small Bridge | | Tunnel |
| | Pipe (Culvert) | | Railroad and Station Building |
| | Coniferous Forest | | Deciduous Forest |
| | Mixed Forest | | Lawns |
| | Citrus Orchard | | Wet Ground |
| | Scattered Vegetation | | |

243,8 Values for prominent elevations
186.0 Numbers for spot elevations, depth soundings, contour lines, etc.
0,2 Velocity of the current, width of river bed, depth of river
180/12 Fractional terms: length and capacity of bridges; depth of fords and condition of the river bottom; height of forest and the diameter of trees

Russian Alphabet (For reference and phonetic interpretation of map text)

| | | | |
|-----------------|----------------|-----------------|-----------------------|
| А а (A) | З з (Z) | П п (P) | Ч ч (CH) |
| Б б (B) | И и (I) | Р р (R) | Ш ш (SH) |
| В в (V) | Й й (Y) | С с (S) | Щ щ (SHCH) |
| Г г (G) | К к (K) | Т т (T) | Ъ (-) |
| Д д (D) | Л л (L) | У у (U) | Ы (Y) |
| Е е (E) | М м (M) | Ф ф (F) | Ь (') |
| Ё ё (YO) | Н н (N) | Х х (KH) | Э э (E) |
| Ж ж (ZH) | О о (O) | Ц ц (TS) | Ю ю (YU or IU) |
| | | | Я я (YA or IA) |

1:25,000 mapping

a. Not drawn to scale b. Drawn to scale

| | | | |
|--|--|--|--|
| | Government and Administrative Buildings | | Military and Industrial Buildings |
| | Military and Communication Areas | | Subway Entrance |
| | Partly Demolished Buildings | | Demolished Buildings |
| | Built-Up Area with Fireproof Buildings Predominant | | Built-Up Area with Non-Fireproof Buildings Predominant |
| | Individual Fireproof Building | | Prominent Industrial Building |
| | Individual Dwelling, Fireproof | | Ruins of an Individual Dwelling |
| | Factory or Mill Chimney | | Factory or Mill with Chimney |
| | Factory or Mill without Chimney | | Salt Mine |
| | Operating Shaft or Mine | | Non-Operating Shaft or Mine |
| | Tailings Pile | | Gas Pump or Service Station |
| | Fuel Storage or Natural Gas Tank | | Oil or Natural Gas Derrick |
| | Small Hydroelectric Power Station | | Power Station |
| | Transformer Station | | Cemetery |
| | Burial Mound (height in metres) | | Triangulation Point on Burial Mound |
| | Triangulation Point | | Bench Mark |
| | Bench Mark (monumented) | | Telegraph Office |
| | Telephone Station | | Radio Station |
| | Radio Tower | | Airfield or Seaplane Base |
| | Landing Strip | | Cut |
| | Fill | | Km Post |
| | Plantings | | Width of Road |
| | Steep Grade | | Highway under Construction |
| | Improved Dirt Road (former truck road) | | Small Bridge |
| | Pipe (Culvert) | | Tunnel |
| | Dismantled Railroad | | Double-track Railroad with First Class Station |
| | Railroad Under Construction | | Shore Embankment |
| | River or Ditch with Embankment | | Water Gauge |
| | Direction and velocity of current | | Water Level Mark |
| | Well | | Spring |
| | Water Reservoir or Rain Water Pit | | Isobath with value |
| | Heavy (Index) Contour Line | | Half Contour Line |
| | Contour Line and Value | | Spot Elevation Value |
| | Coniferous | | Deciduous |
| | Mixed | | Scrub |

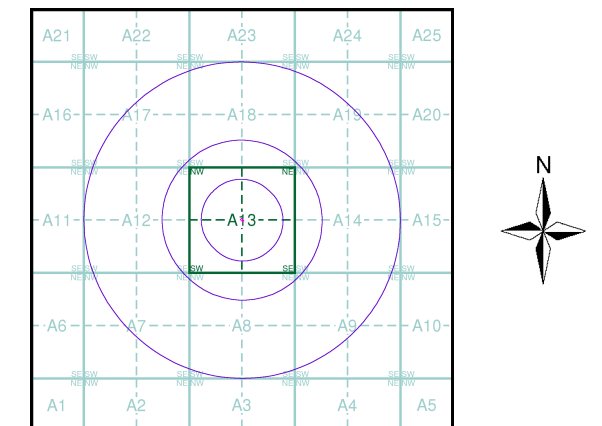
Key to Numbers on Mapping



Historical Mapping & Photography included:

| Mapping Type | Scale | Date | Pg |
|-------------------------------|----------|-------------|----|
| Middlesex | 1:10,560 | 1873 - 1874 | 3 |
| London | 1:10,560 | 1896 | 4 |
| London | 1:10,560 | 1920 | 5 |
| Historical Aerial Photography | 1:10,560 | 1950 | 6 |
| Ordnance Survey Plan | 1:10,000 | 1951 | 7 |
| Ordnance Survey Plan | 1:10,000 | 1957 - 1958 | 8 |
| Ordnance Survey Plan | 1:10,000 | 1967 - 1968 | 9 |
| Ordnance Survey Plan | 1:10,000 | 1974 - 1978 | 10 |
| Ordnance Survey Plan | 1:10,000 | 1984 | 11 |
| London | 1:25,000 | 1985 | 12 |
| Ordnance Survey Plan | 1:10,000 | 1991 - 1996 | 13 |
| 10K Raster Mapping | 1:10,000 | 1999 | 14 |
| 10K Raster Mapping | 1:10,000 | 2006 | 15 |
| VectorMap Local | 1:10,000 | 2016 | 16 |

Russian Map - Slice A



Order Details

Order Number: 9555052_1_1
 Customer Ref: 16/25536
 National Grid Reference: 526100, 184510
 Slice: A
 Site Area (Ha): 0.03
 Search Buffer (m): 1000

Site Details

28 Canfield Gardens, LONDON, NW6 3LA



Tel: 0844 844 9952
 Fax: 0844 844 9951
 Web: www.envirocheck.co.uk

Middlesex

Published 1873 - 1874

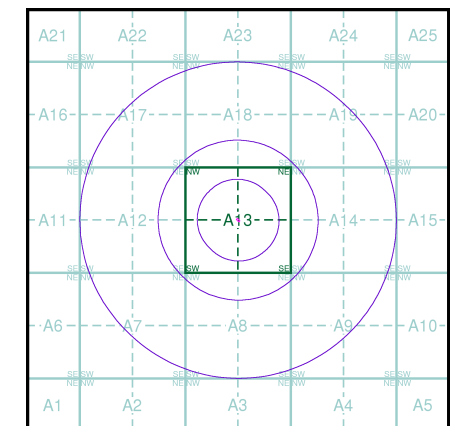
Source map scale - 1:10,560

The historical maps shown were reproduced from maps predominantly held at the scale adopted for England, Wales and Scotland in the 1840's. In 1854 the 1:2,500 scale was adopted for mapping urban areas; these maps were used to update the 1:10,560 maps. The published date given therefore is often some years later than the surveyed date. Before 1938, all OS maps were based on the Cassini Projection, with independent surveys of a single county or group of counties, giving rise to significant inaccuracies in outlying areas. In the late 1940's, a Provisional Edition was produced, which updated the 1:10,560 mapping from a number of sources. The maps appear unfinished - with all military camps and other strategic sites removed. These maps were initially overprinted with the National Grid. In 1970, the first 1:10,000 maps were produced using the Transverse Mercator Projection. The revision process continued until recently, with new editions appearing every 10 years or so for urban areas.

Map Name(s) and Date(s)

| | | |
|-------|------|----------|
| 01100 | 1873 | 1:10,560 |
| 01600 | 1874 | 1:10,560 |

Historical Map - Slice A



Order Details

Order Number: 95555052_1_1
 Customer Ref: 16/25536
 National Grid Reference: 526100, 184510
 Slice: A
 Site Area (Ha): 0.03
 Search Buffer (m): 1000

Site Details

28 Canfield Gardens, LONDON, NW6 3LA

