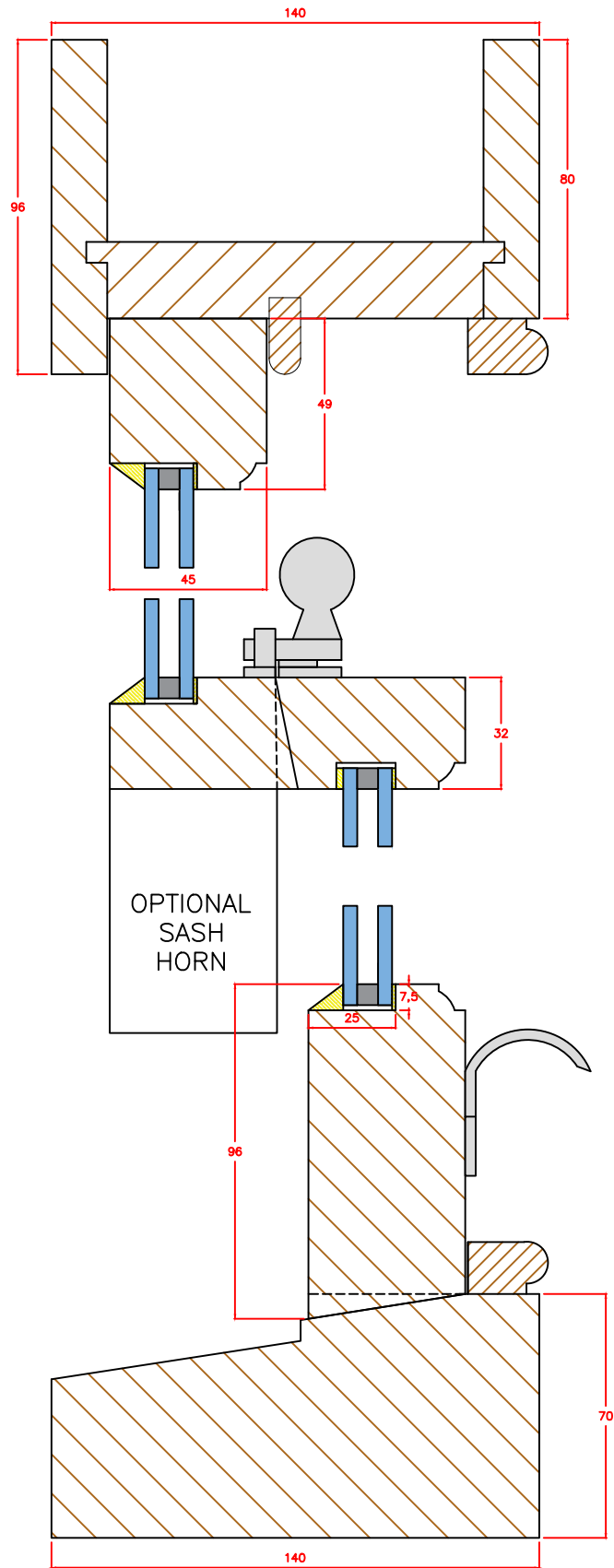
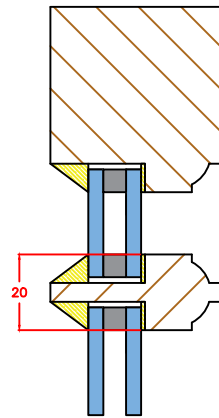


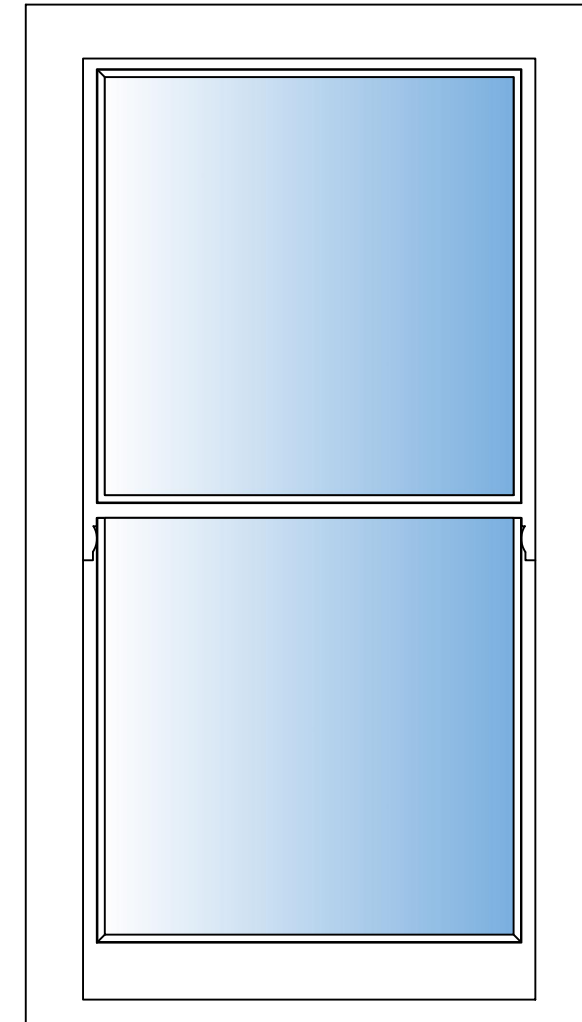
Sections – Head & cill  
1:2 @ A3



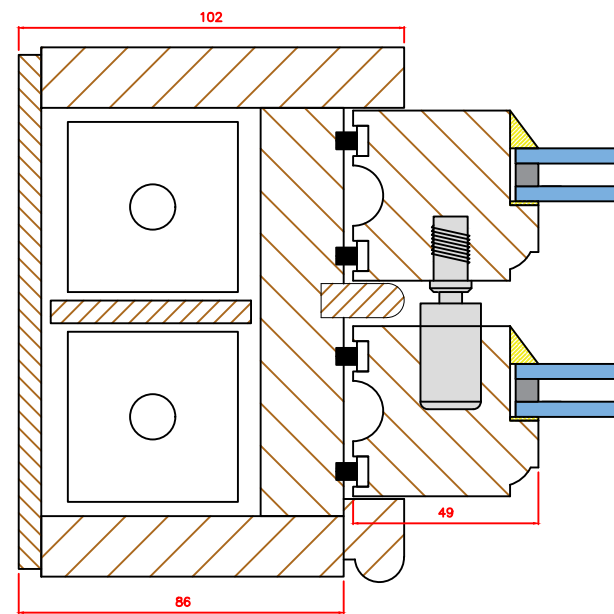
Sections – Glazing bar  
1:2 @ A3



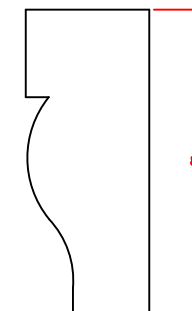
Elevation – External view



Sections – Jambs  
1:2 @ A3



Standard Horn  
1:2 @ A3



THIS DRAWING AND THE SPECIFICATIONS ARE THE PROPERTY OF SANFORD GROUP LIMITED. THESE DRAWINGS OUTLINE THE STANDARD SECTION PROFILES AND DIMENSIONS OF PRODUCTS MANUFACTURED AND SUPPLIED BY SANFORD GROUP LIMITED. IF DIMENSIONS ARE CRITICAL FOR OTHER TRADES, PLEASE CONTACT OUR TECHNICAL TEAM BEFORE WORKING FROM THESE DRAWINGS.

ALL MEASUREMENTS ARE IN MM DO NOT SCALE FROM THESE DRAWINGS

Drawing Number: SGL-HBS-01  
 Drawing Name: Heritage Box Sash Window  
 Drawing Date: 16.02.2024  
 Drawn by: NATHAN SMITH



Unit 2, Kangley Bridge Road  
 Kangley Business Centre  
 Lower Sydenham, London  
 SE26 5AQ  
 T: 020 3576 7500  
 E: sales@wandsworthsashwindows.com

SCALE:  
N/A

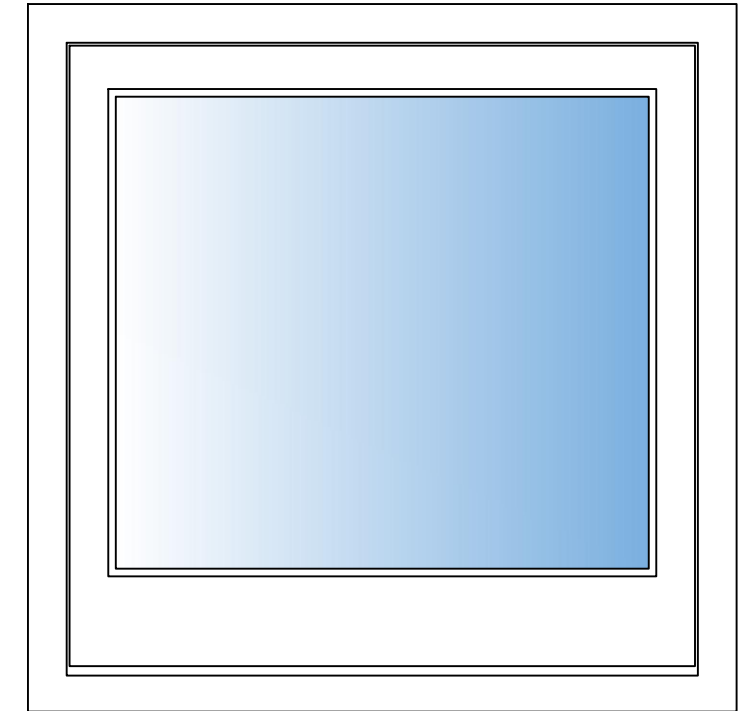
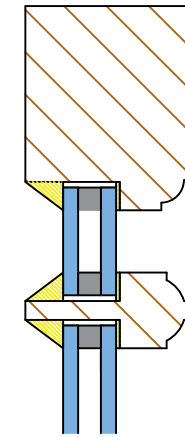
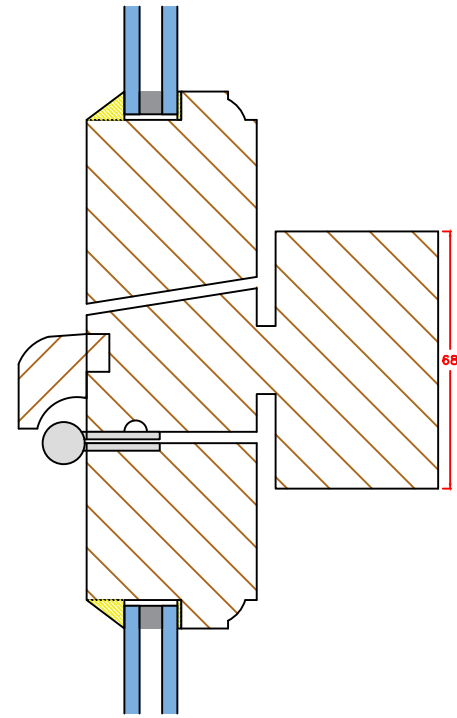
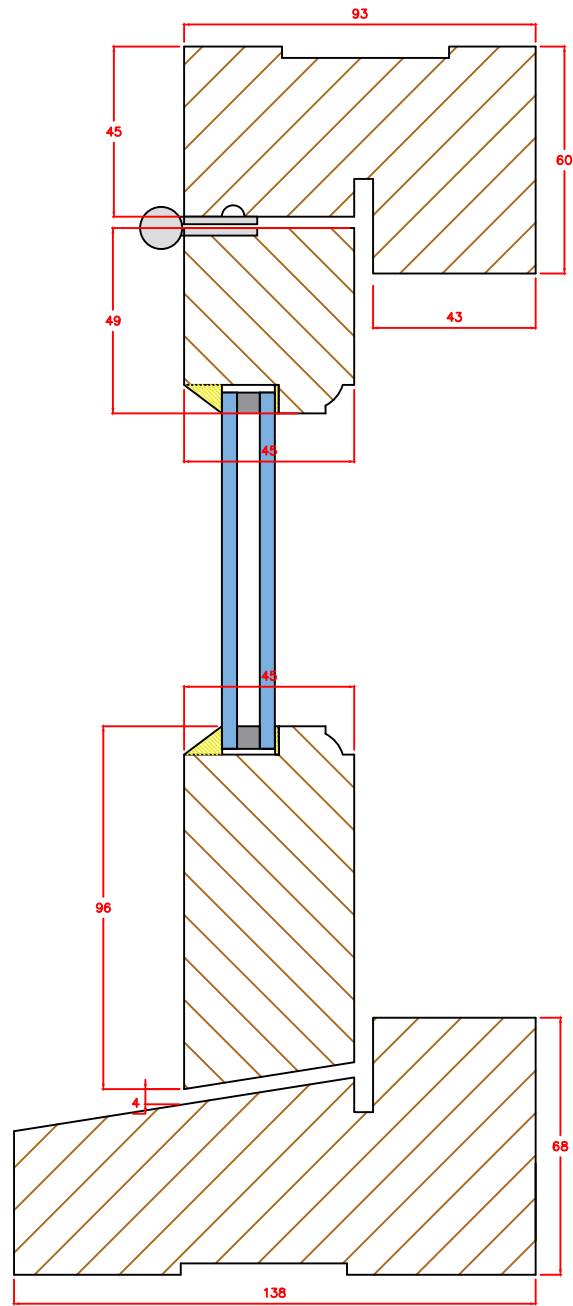
REV:  
C

Sections – Head & cill  
1:2 @ A3

Sections – Transom  
1:2 @ A3

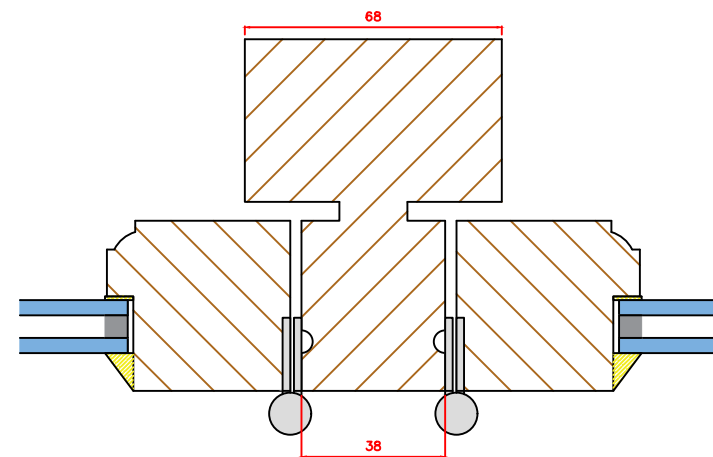
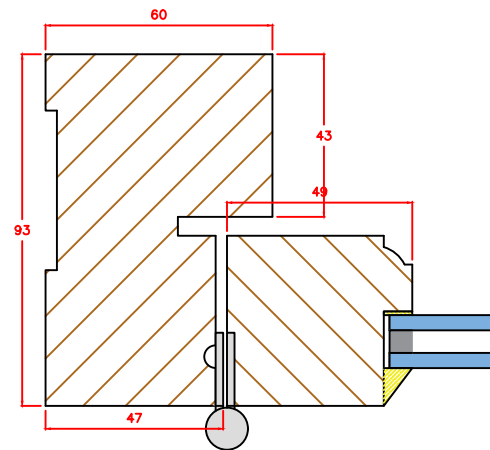
Sections – Glazing bar  
1:2 @ A3

Elevation – External view




Sections – Jamb  
1:2 @ A3

Sections – Mullion  
1:2 @ A3



THIS DRAWING AND THE SPECIFICATIONS ARE THE PROPERTY OF SANFORD GROUP LIMITED. THESE DRAWINGS OUTLINE THE STANDARD SECTION PROFILES AND DIMENSIONS OF PRODUCTS MANUFACTURED AND SUPPLIED BY SANFORD GROUP LIMITED. IF DIMENSIONS ARE CRITICAL FOR OTHER TRADES, PLEASE CONTACT OUR TECHNICAL TEAM BEFORE WORKING FROM THESE DRAWINGS.

ALL MEASUREMENTS ARE IN MM | DO NOT SCALE FROM THESE DRAWINGS

|   |  |
|---|--|
| Drawing Number: SGL-HCW-01  |  |
| Drawing Name: Heritage Casement Window  |  |
| Drawing Date: 16.02.2024  |  |
| Drawn by: NATHAN SMITH  |  |
| <br><b>Sanford</b><br><small>GROUP LIMITED</small> | Unit 2, Kangley Bridge Road<br>Kangley Business Centre<br>Lower Sydenham, London<br>SE26 5AQ<br>T: 020 3576 7500<br>E: sales@wandsworthsashwindows.com |
|   | SCALE:<br>N/A  |