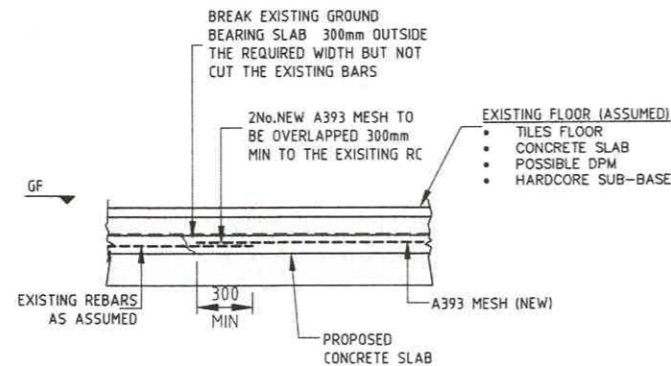
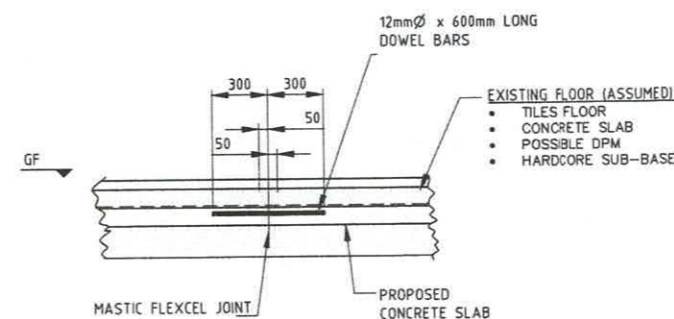


Notes :

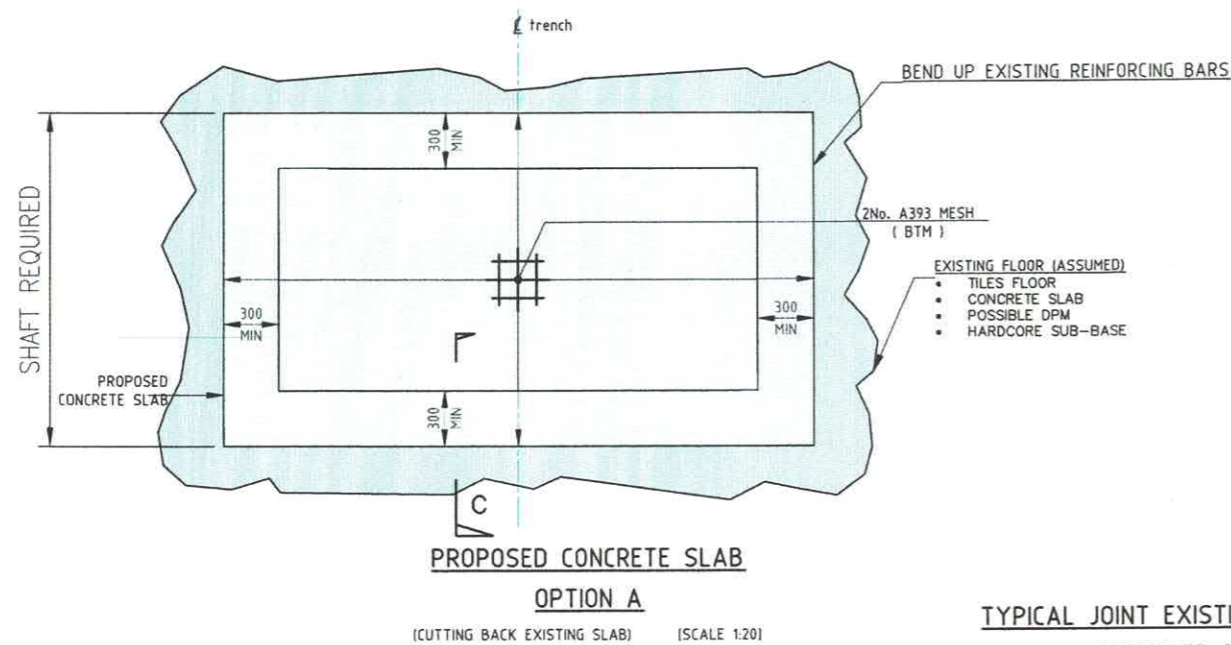
1. All drawings are to be read in conjunction with all relevant Specifications, Bills of Materials, Architectural, Services and Engineering drawings.
2. Any discrepancies between these documents shall be brought to the attention of the Engineer.
3. All dimensions are in millimetres, unless noted otherwise.
4. All levels are in metres related to Ordnance Datum.



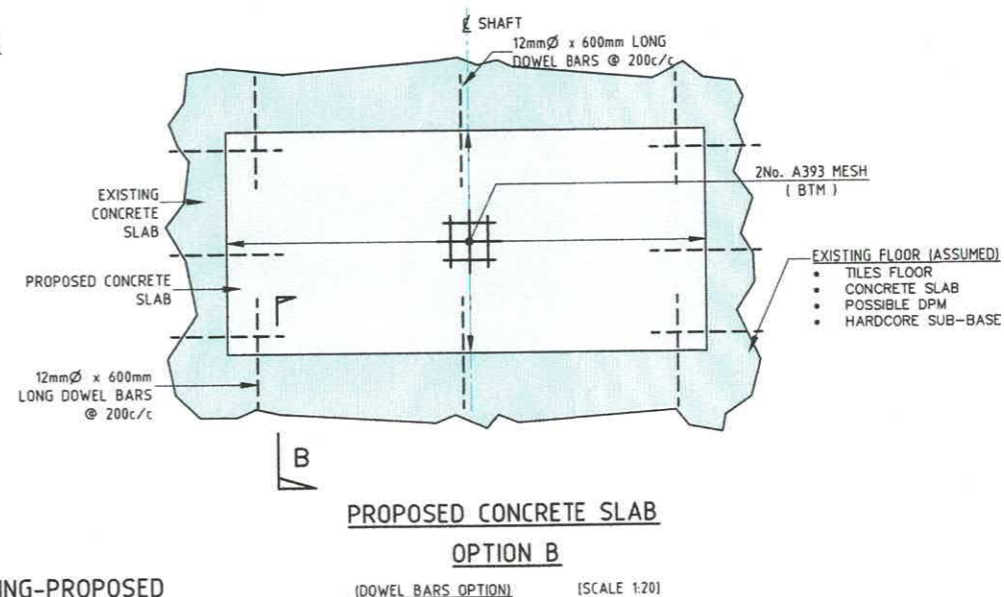
TYPICAL JOINT EXISTING-PROPOSED CONCRETE SLAB
OPTION A (CUTTING BACK OPTION) [SCALE 1:20]



TYPICAL JOINT EXISTING-PROPOSED CONCRETE SLAB
OPTION B (DOWEL BARS OPTION) [SCALE 1:20]




PROPOSED CONCRETE SLAB OPTION A
(CUTTING BACK EXISTING SLAB) [SCALE 1:20]



TYPICAL JOINT EXISTING-PROPOSED CONCRETE SLAB
OPTION A (CUTTING BACK OPTION) [SCALE 1:20]

PROPOSED CONCRETE SLAB OPTION B
(DOWEL BARS OPTION) [SCALE 1:20]

Please note that the issue of CAD files is done upon request, to assist co-ordination only. Use of written dimensions and levels is permitted, but all other dimensions extracted from the digital content are not to be relied upon. The setting out and dimensions of any existing structural elements shown in the digital drawings / model are based on collected archive information, measured surveys and site investigations as available, and if there is any reasonable doubt in relation to this which affects costs or final construction details the contractor should undertake relevant surveys to confirm / verify the information, and any changes discovered should be notified to the engineer.

C01	29/08/23	FOR INFORMATION	MAK	M.R
REV	DATE	DESCRIPTION	BY	APP
PROJECT: 55-59 GORDEN SQUARE, LONDON WC1H 0NU				
TITLE: SLAB CUTTING DETAIL ARRANGEMENT				
CLIENT: CAPPAGH PUBLIC WORKS LTD				
 MWP ENGINEERING AND ENVIRONMENTAL CONSULTANTS <small>27th FLOOR 100 BROADWAY LONDON EC2M 2DD</small>				
DRAWN	MAK	CHECKED	M.R	APPROVED
PROJECT NUMBER	24107	DATE	29/08/23	SCALE @ A1
STATUS DESCRIPTION	FOR INFORMATION			STATUS: S2
DRAWING NUMBER	24107 - MWP - XX - 00 - DR - S - 1003			REV: C01