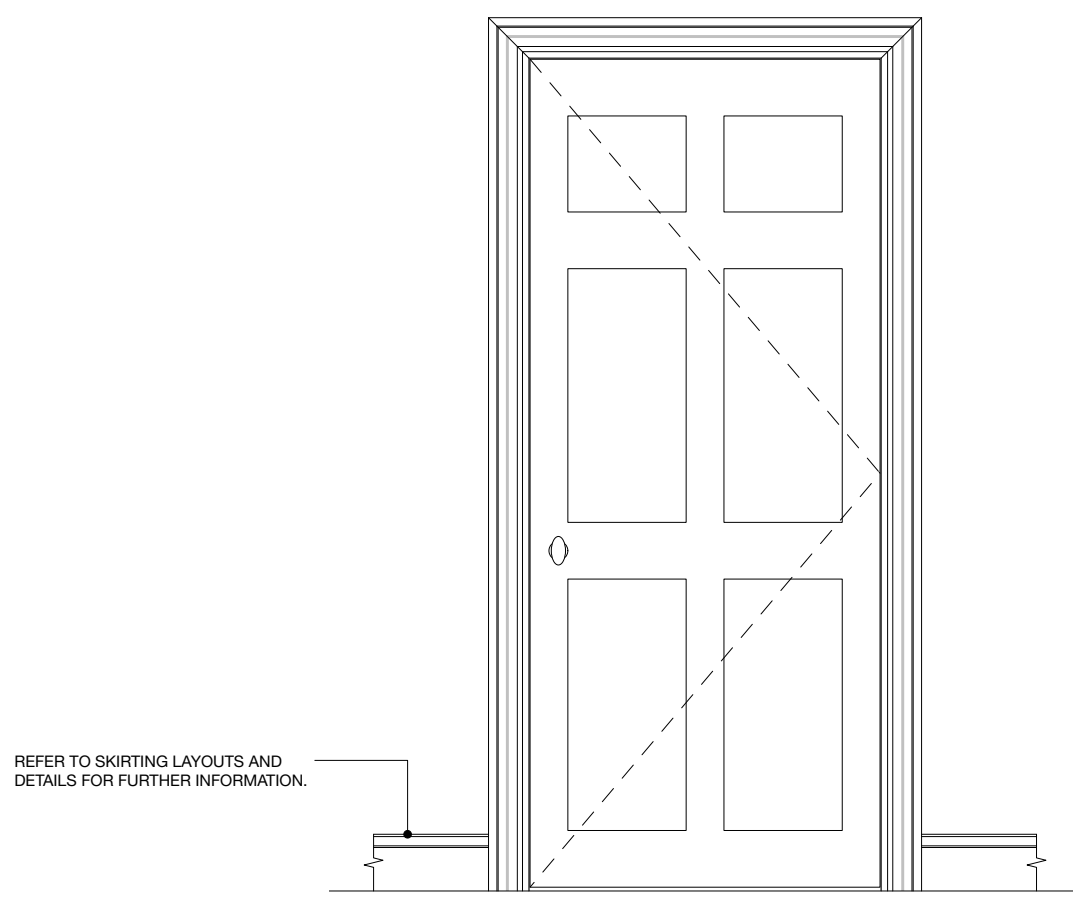
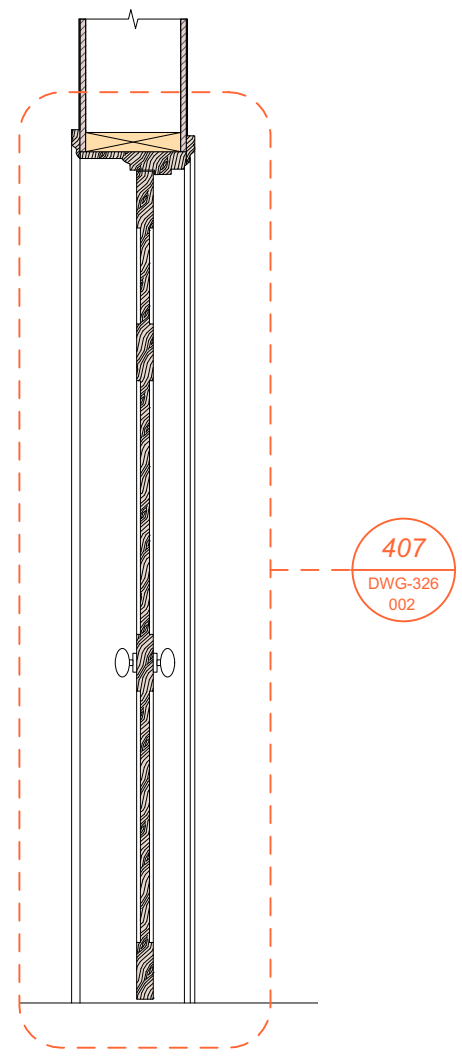


- For construction purposes:**
- Do not scale this drawing.
 - All dimensions and levels to be checked on site.
 - Discrepancies to be reported to Miltiadou Cook Mitzman architects before proceeding.
 - If in any doubt about information on this drawing contact Miltiadou Cook Mitzman architects.

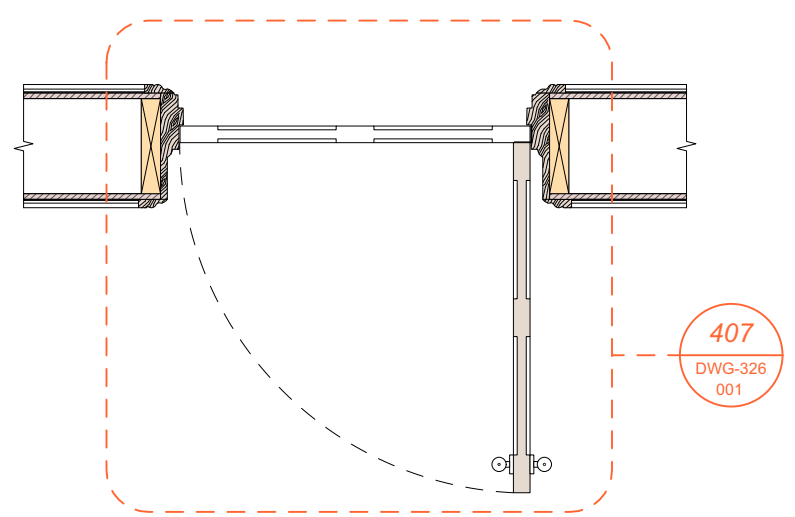
REVISION NUMBER	DATE	BY	NOTES
P1	19/03/2024	RH	Issued for planning



E Lower Ground Floor Door Elevation
1:20



S Lower Ground Floor Door Section
1:20



P Lower Ground Floor Door Plan
1:20

NOTES:

MILTIADOU COOK MITZMAN architects llp

020 7722 8525 office@mcma.design www.mcma.design
Unit 1 Primrose Mews Sharpleshall Street London NW1 8YW

CLIENT
Miszkial

PROJECT
52 Doughty Street, London, WC1N 2LS

SHEET TITLE
Door Details - Lower Ground Floor - Sheet 1

SCALE
1:20

DATE CREATED MARCH 24 **FILE REFERENCE**

DRAWING NUMBER	REVISION
407-DWG-326-00	P1