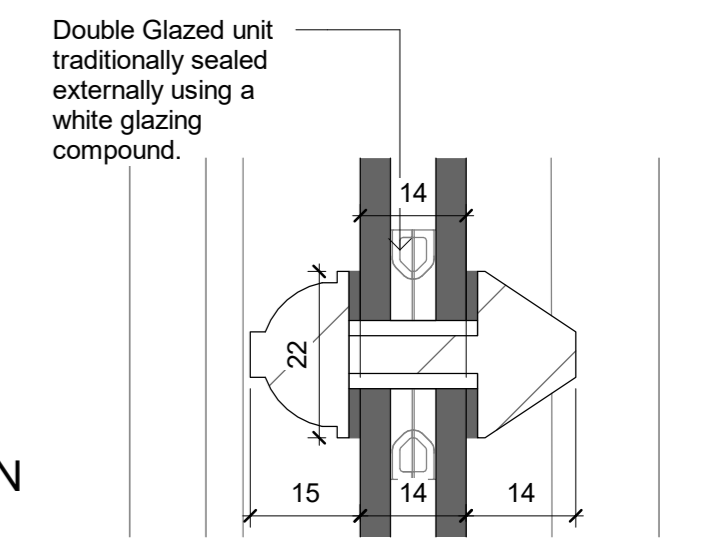
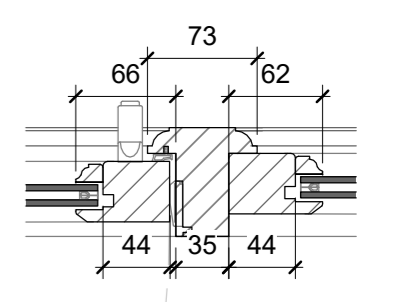


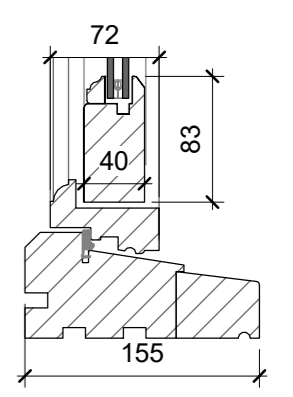
Existing window



3 Detail 7_Glazing Bar
1:1



10 Detail 8_Middle Frame
1:5



11 Detail 9_Sill
1:5

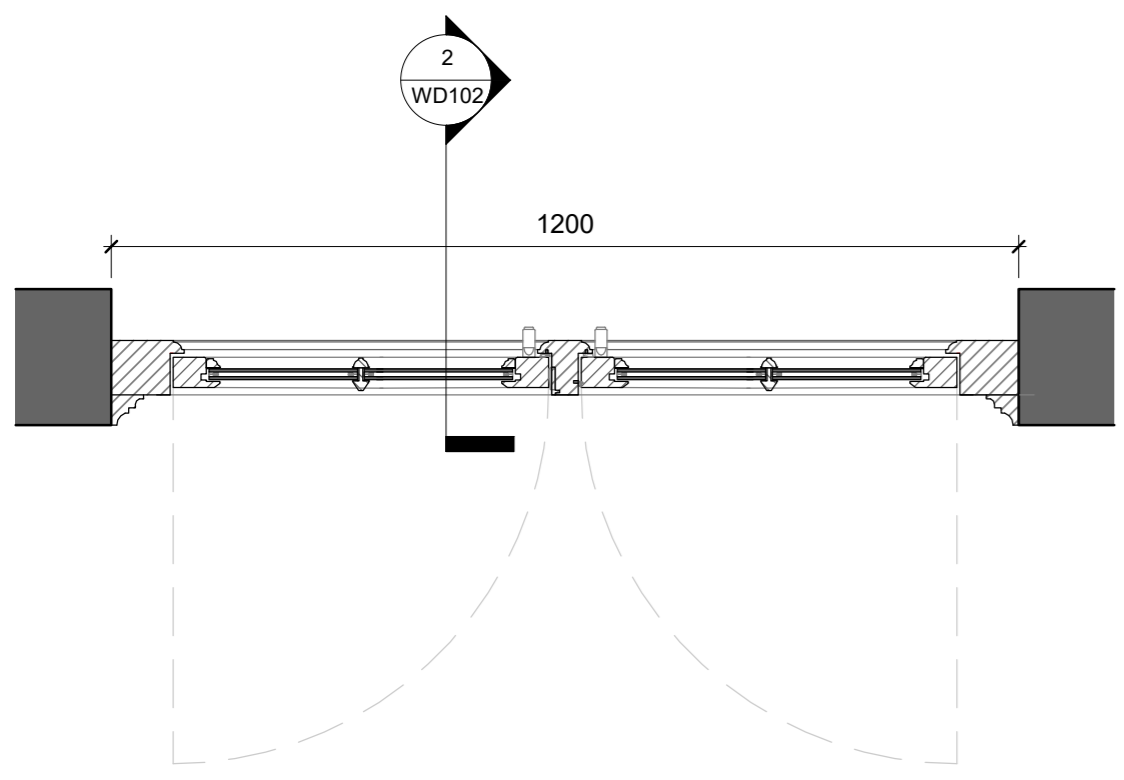
1 WINDOW T.2 ELEVATION
1:10

2 Section C
1:10

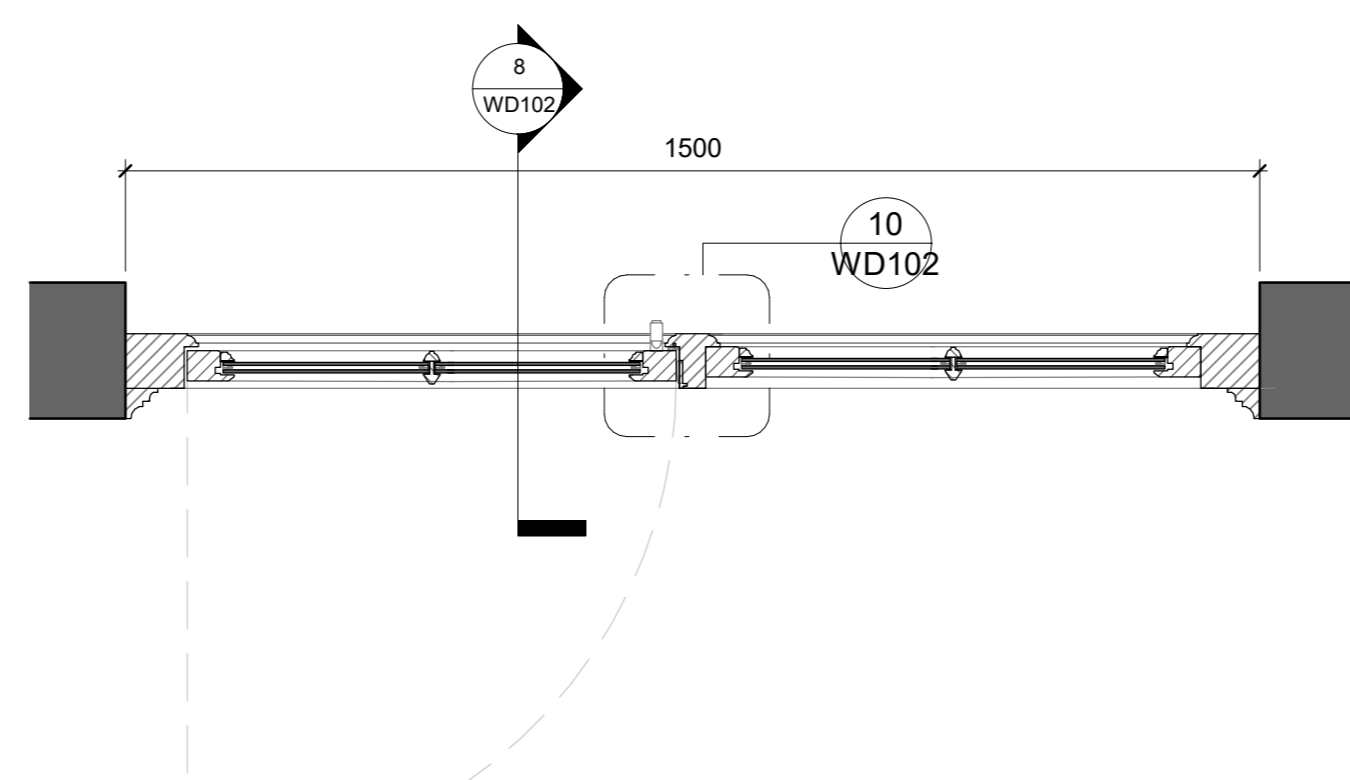
4 WINDOW T.3 ELEVATION
1:10

8 Section D
1:10

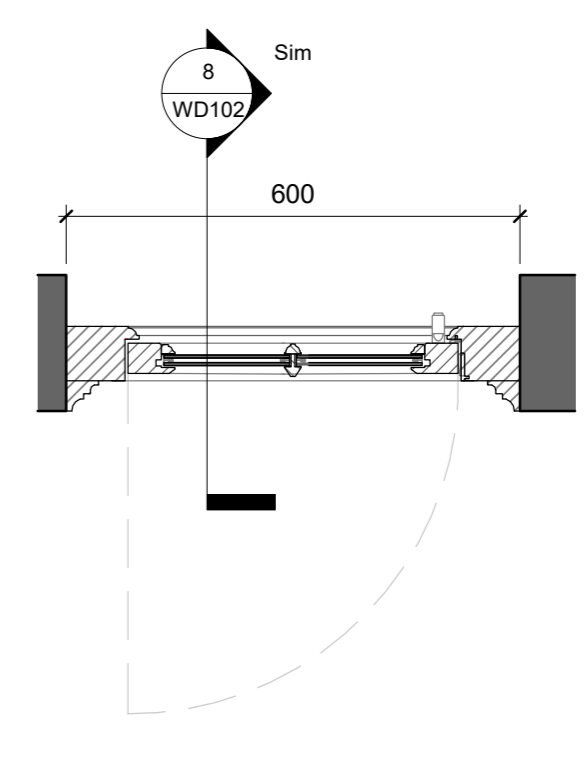
5 WINDOW T.4 ELEVATION
1:10



6 WINDOW T.2 PLAN
1:10



7 WINDOW T.3 PLAN
1:10



9 WINDOW T.4 PLAN
1:10

DRAWN	Author	DATE	PROJECT	DRAWING TITLE	DWG. No.	NOTES	REV	DATE	REVISION NOTES	ARCHITECT
CHECKED	Checker	16 03 24	FLAT 1, 18 PLATT'S LANE CLIENT TOBY VANHEGAN	PROPOSED WINDOW T.2, 3 & 4 DETAILS	WD102	1. All dimensions are in millimetres. 2. All dimensions are to be checked on site. 3. Any discrepancy between the architectural drawing and other drawings relevant for construction should be notified before commencement.				BL Architecture
SCALE	As indicated									