



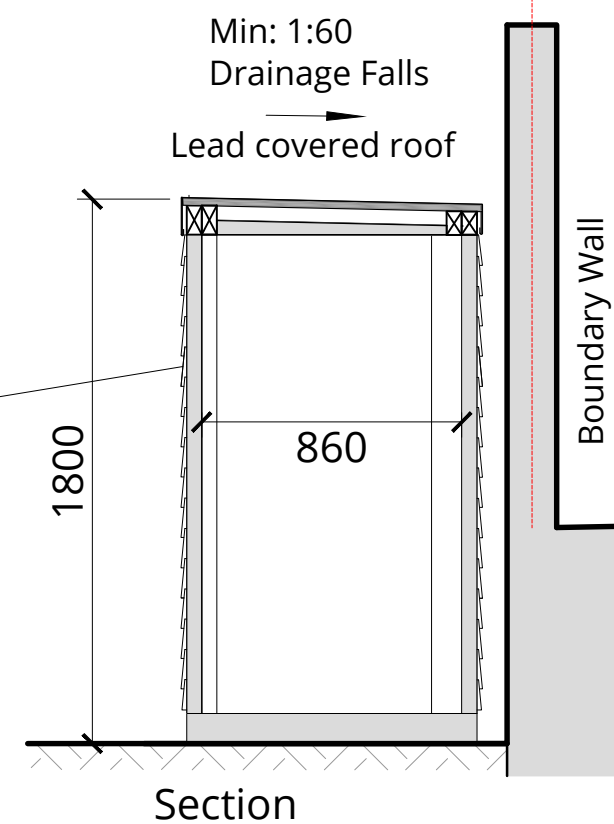
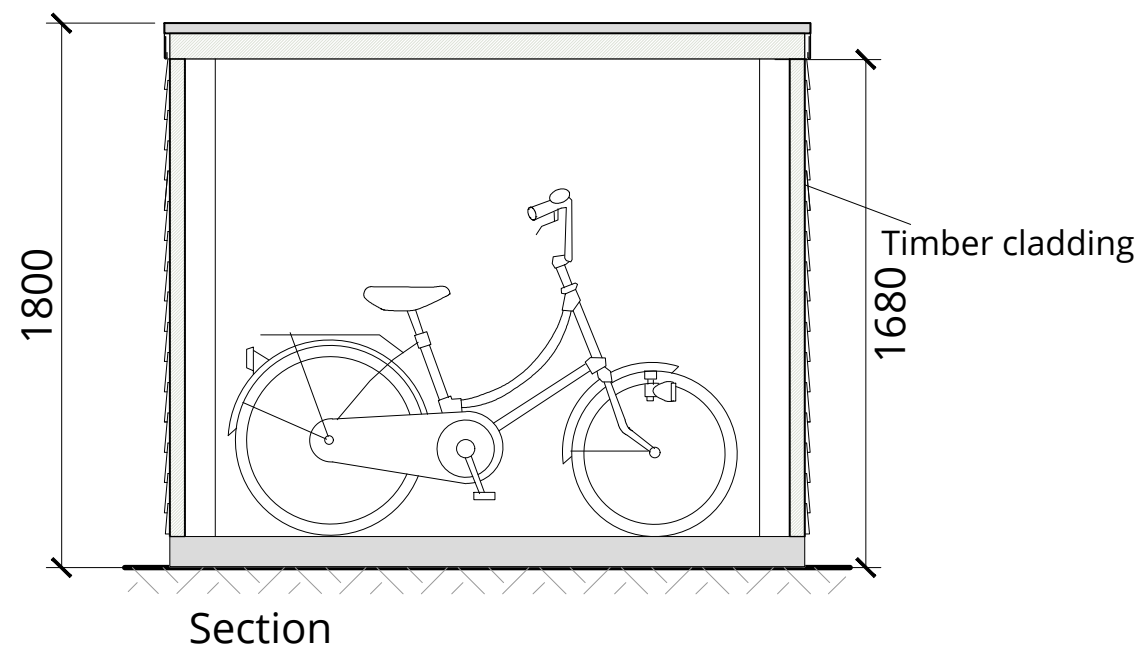
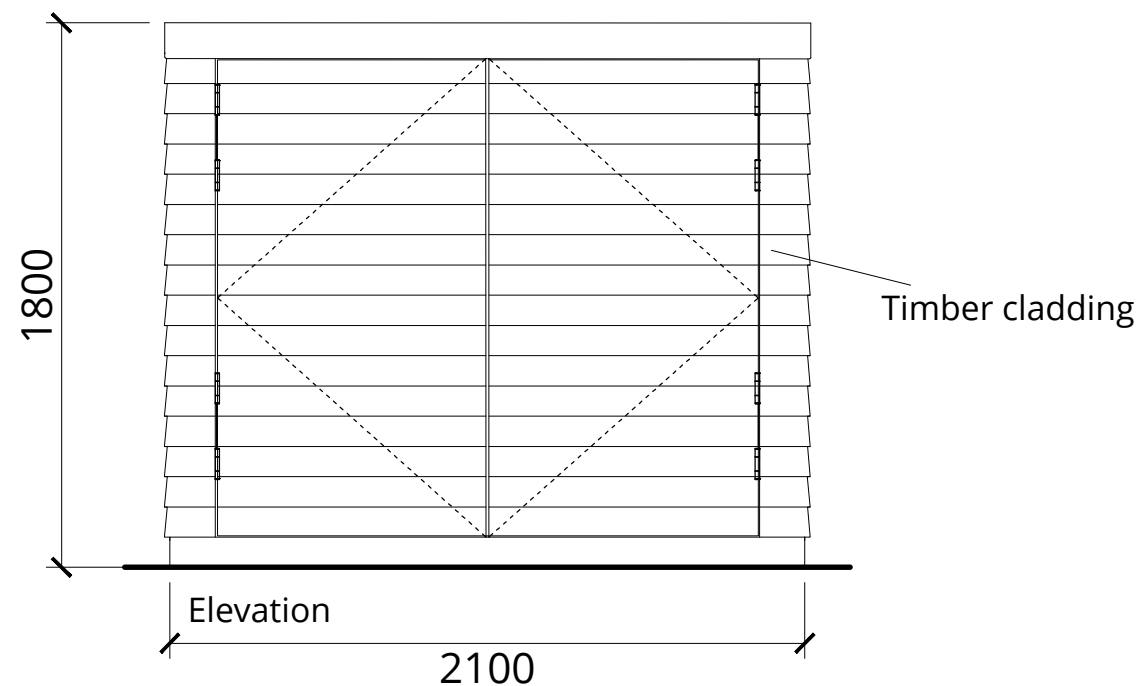
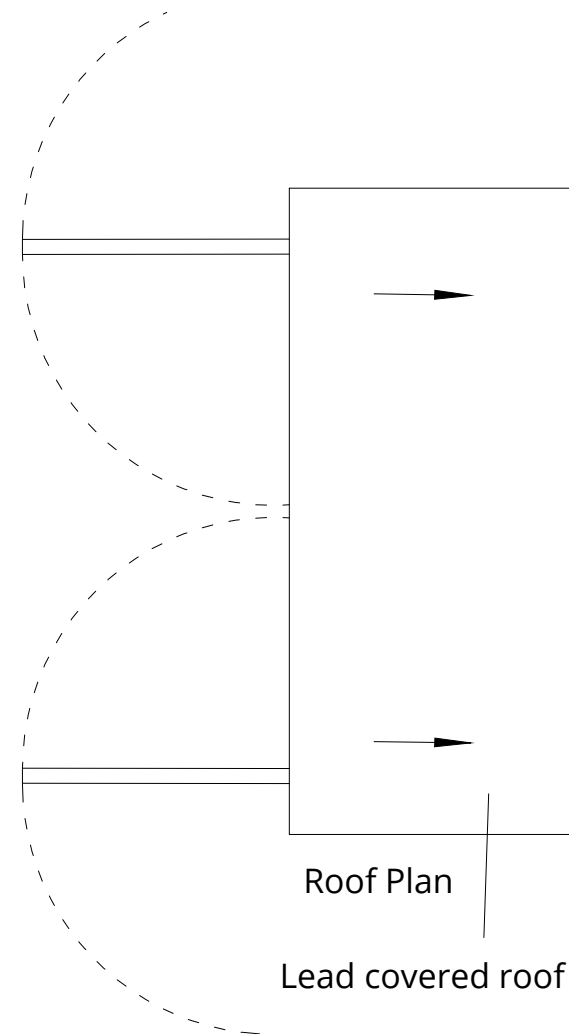
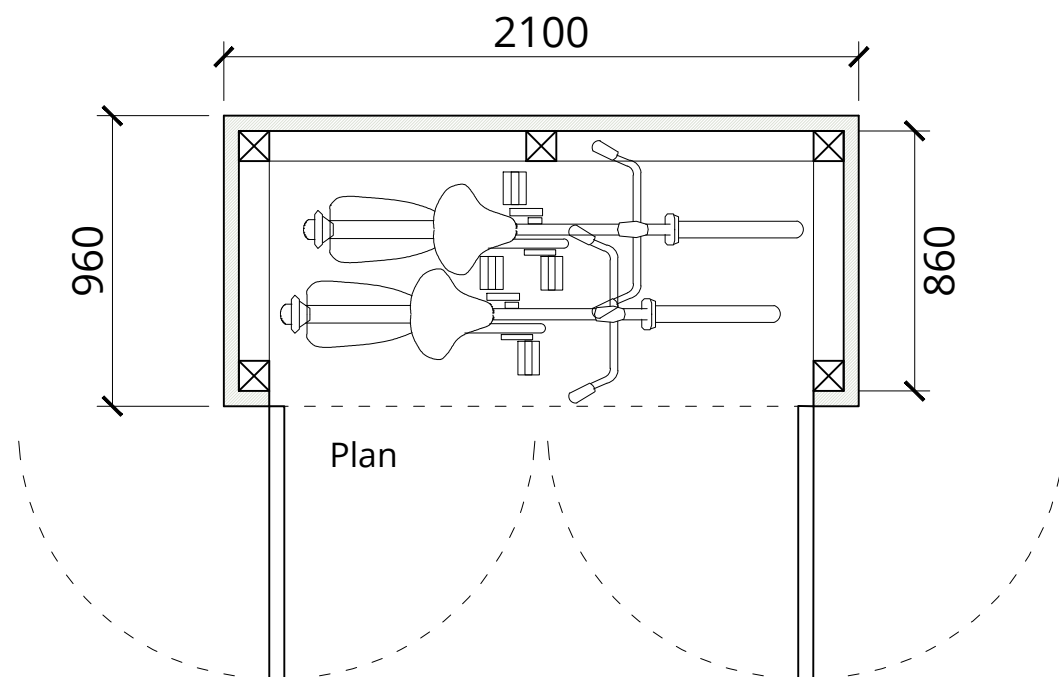
**WOLFF ARCHITECTS**

London 16 Lambton Place Notting Hill  
London W11 2SH  
T +44 (0)20 7229 3125

Oxford Chandos Yard 83 Bicester Road  
Long Crendon HP18 9EE  
T +44 (0)1844 203310

W www.wolffarchitects.co.uk  
E info@wolffarchitects.co.uk

This drawing is protected under Copyright and at no time should any portion be reproduced or copied without the permission of the Architect (Design Copyright Act 1968). It must not be used for purposes other than that for which it is provided. It is supplied without liability for any errors or omissions. All dimensions to be checked on site.



Rev.	Description	Date
0	Materials annotated First issue.	16.04.24 05.10.23

Project Title  
7 Redington Gardens  
London NW3 7RU

Drawing Title  
**Proposed  
Bicycle Storage**

Status  
**PLANNING**

Drawn by	Checked by	Scale	@
AW	NP	1:25	A3
Project No.	Work Stage	Dwg. No.	Rev.
2252	PL	235	A