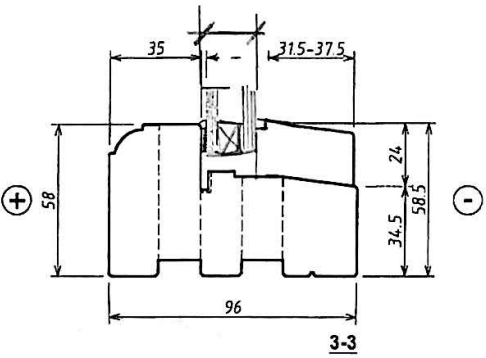
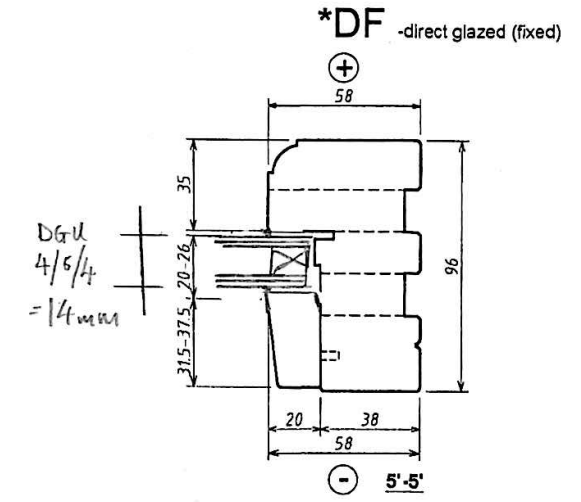
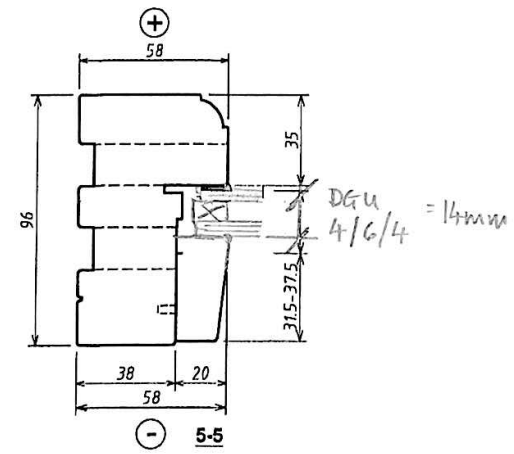
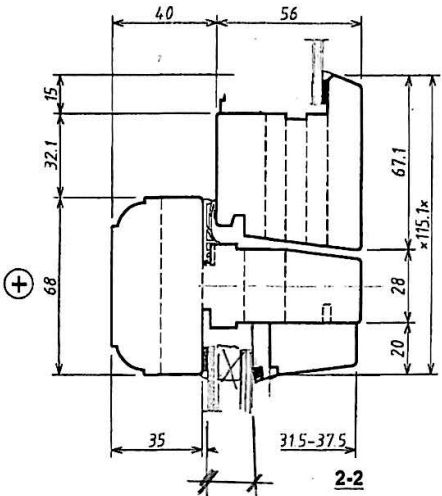


TC top hung window with transom / bottom fixed glazing  
view from the outside



**VPPR ARCHITECTS**  
Detail 03  
50C Red Lion Street  
January 2024  
PLANNING

MODIFIED SLIMLINE DGUs SHOWN  
TC TRADITIONAL CASEMENT WINDOW 96/56  
TOP HUNG WINDOW WITH TRANSOM / BOTTOM FIXED GLAZING

thermal insulation value 0,79 - 0,79W/m²K  
colours / georgian / feature bars, thresholds, openings  
- under consideration

**BOISROIS**  
boisrois.com  
FORMAT: A3 TC-15