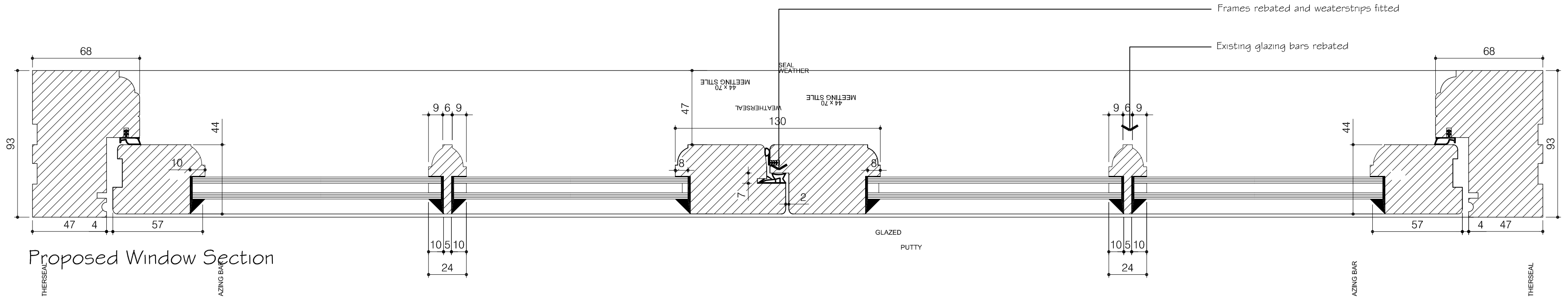
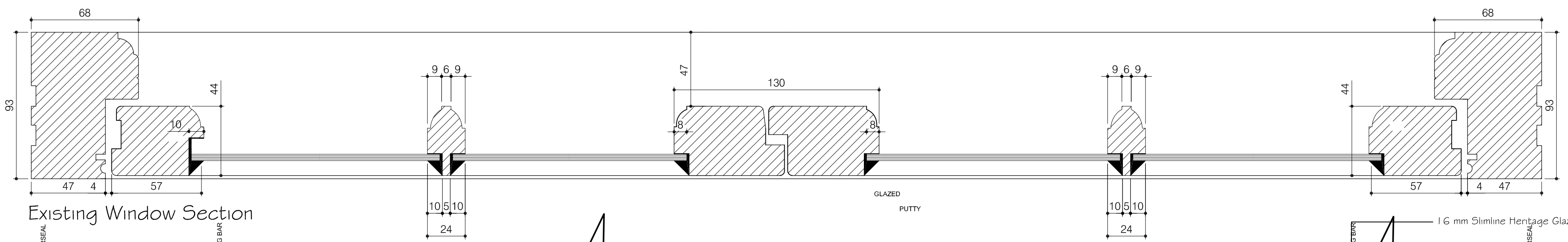


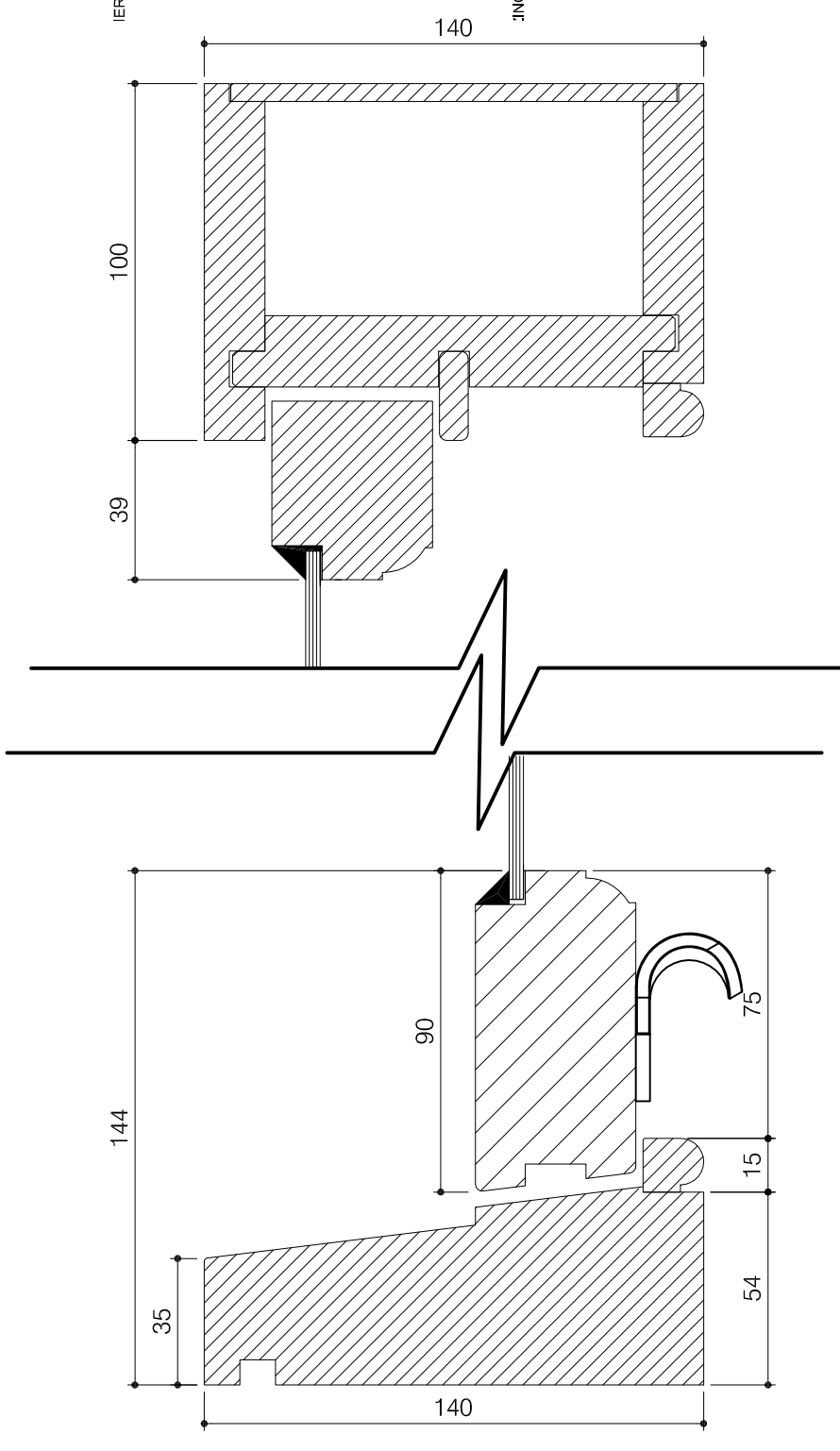
ALL DIMENSIONS AND TOLERANCES SHOWN SHOULD BE CHECKED AND CONFIRMED BY THE CLIENT PRIOR TO MANUFACTURE OR CONSTRUCTION.



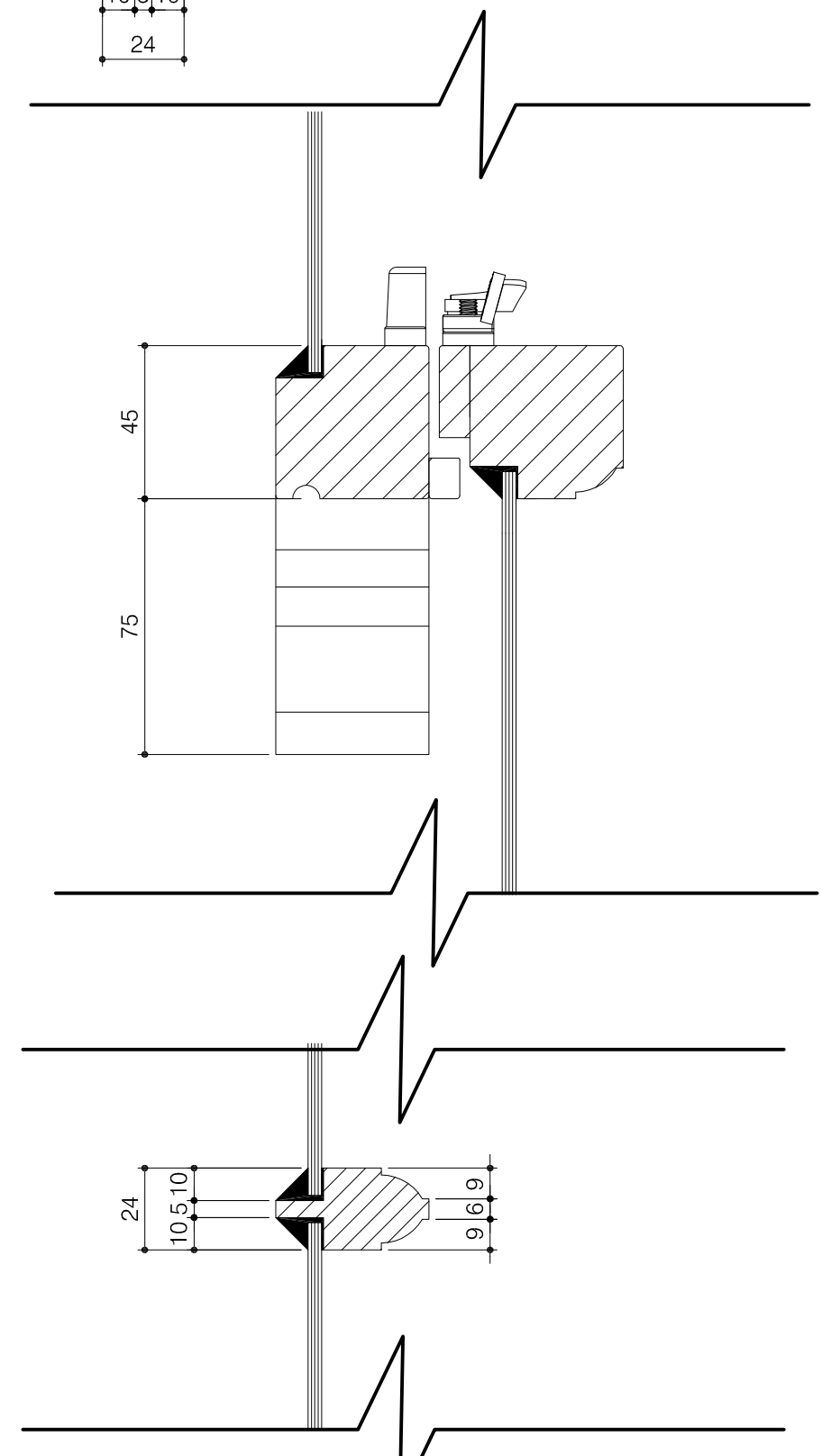
Proposed Window Section



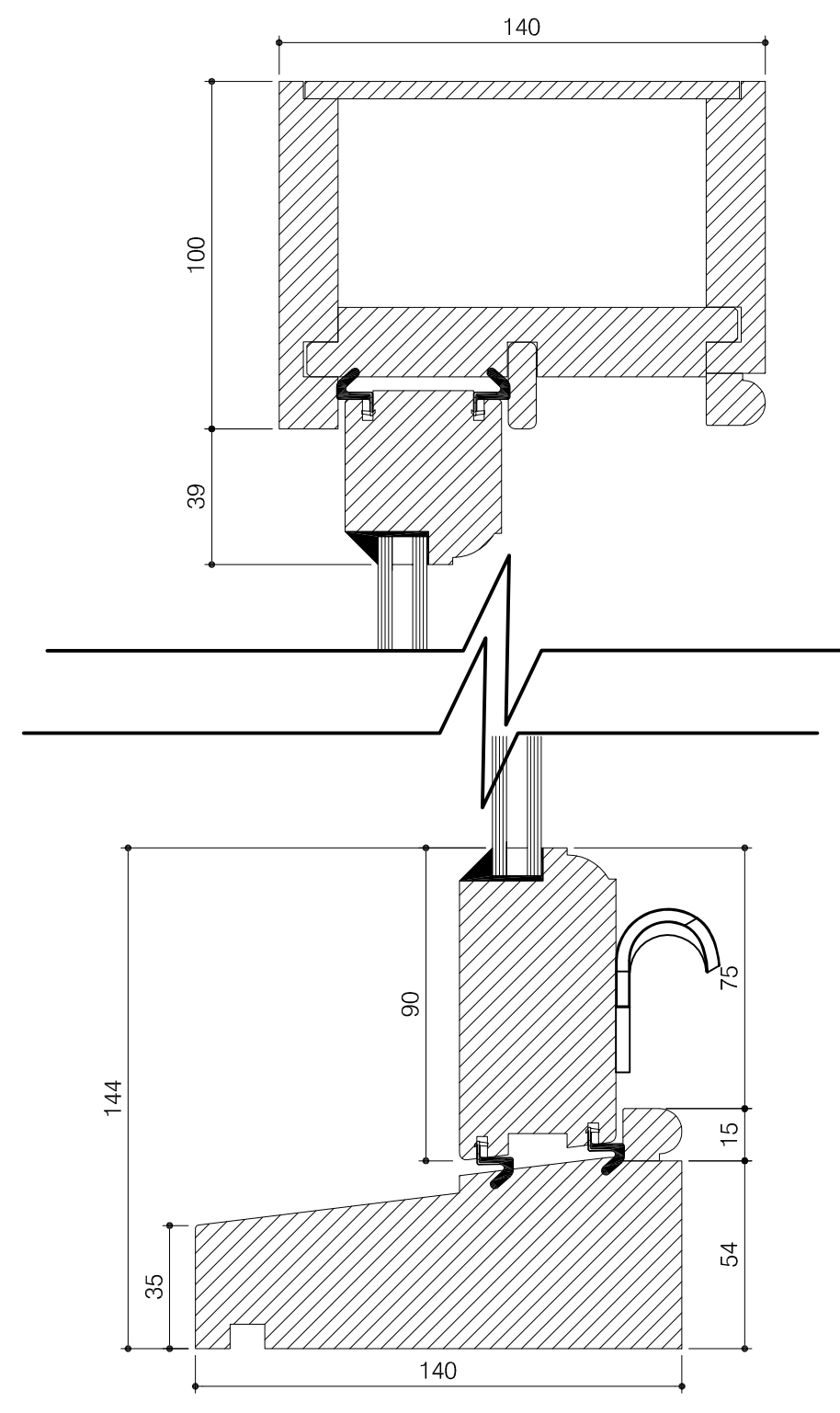
Existing Window Section



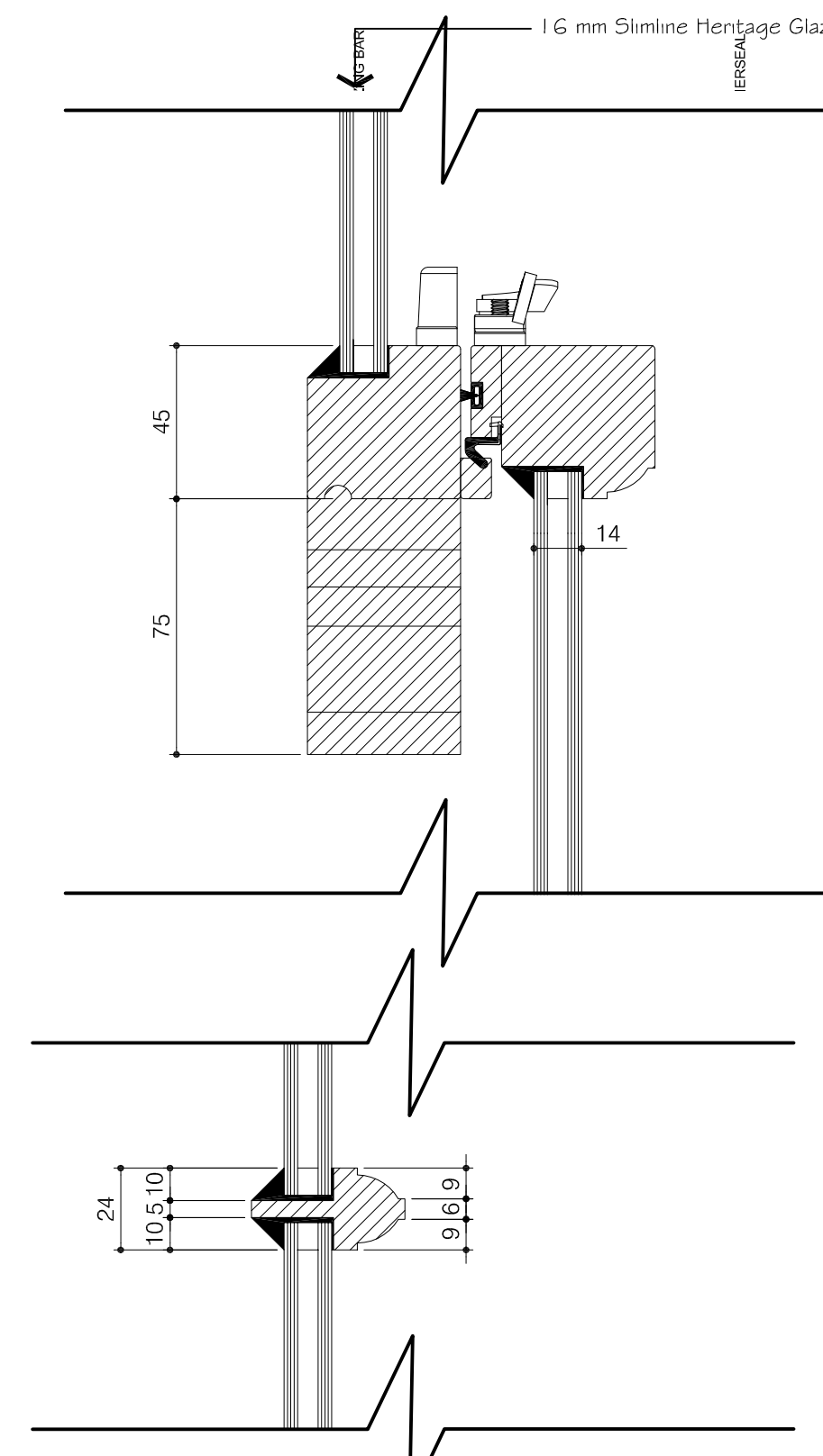
Existing Window Section



Existing Window Section



Proposed Window Section



Proposed Window Section

# PLANNING

Planning and Building Regulations Design Consultants  
 Architectural Technologists  
 Local Authorities Planning Agent Group Member  
 Local Authorities Building Control Partner Member  
 Planning Portal Professional Status  
 Landmark and Promag Member  
 Planning Appeal Consultants

[www.cadmonkies.co.uk](http://www.cadmonkies.co.uk)  
[cadmonkies@btconnect.com](mailto:cadmonkies@btconnect.com)  
 01280 - 70 44 44



Head Office : The Boatouse, 19 Westminster Croft,  
 BRACKLEY, Northants, NN13 7ED  
 London Offices : Studio A2, Headcom Road,  
 Thornton Heath, London, CR7 6JQ  
 Cadmonkies, Studio A2, Castle Yard,  
 Richmond, LONDON, TW10 6TF

CLIENT: Mr and Mrs M Upson	
ADDRESS: Flat 4, 16 Belsize Avenue LONDON, NW34AU	
CONTACT: Mrs G Upson	
SITE: Flat 4, 16 Belsize Avenue LONDON, NW34AU	
SCHEME: Proposed Replacement Windows and Door with Associated Internal and External works.	
DRAWING TITLE: Existing and Proposed Details	
DATE: June 2023	DRAWN: david berious
SCALE: 1:2	REV: @ A2

DRAWING No:  
**P/23/122/005**

© The Alpha 2 Partnership has the exclusive copyright ownership of this drawing and its contents and it should not be reproduced without permission - A2 BS1192 : Part 1 1994