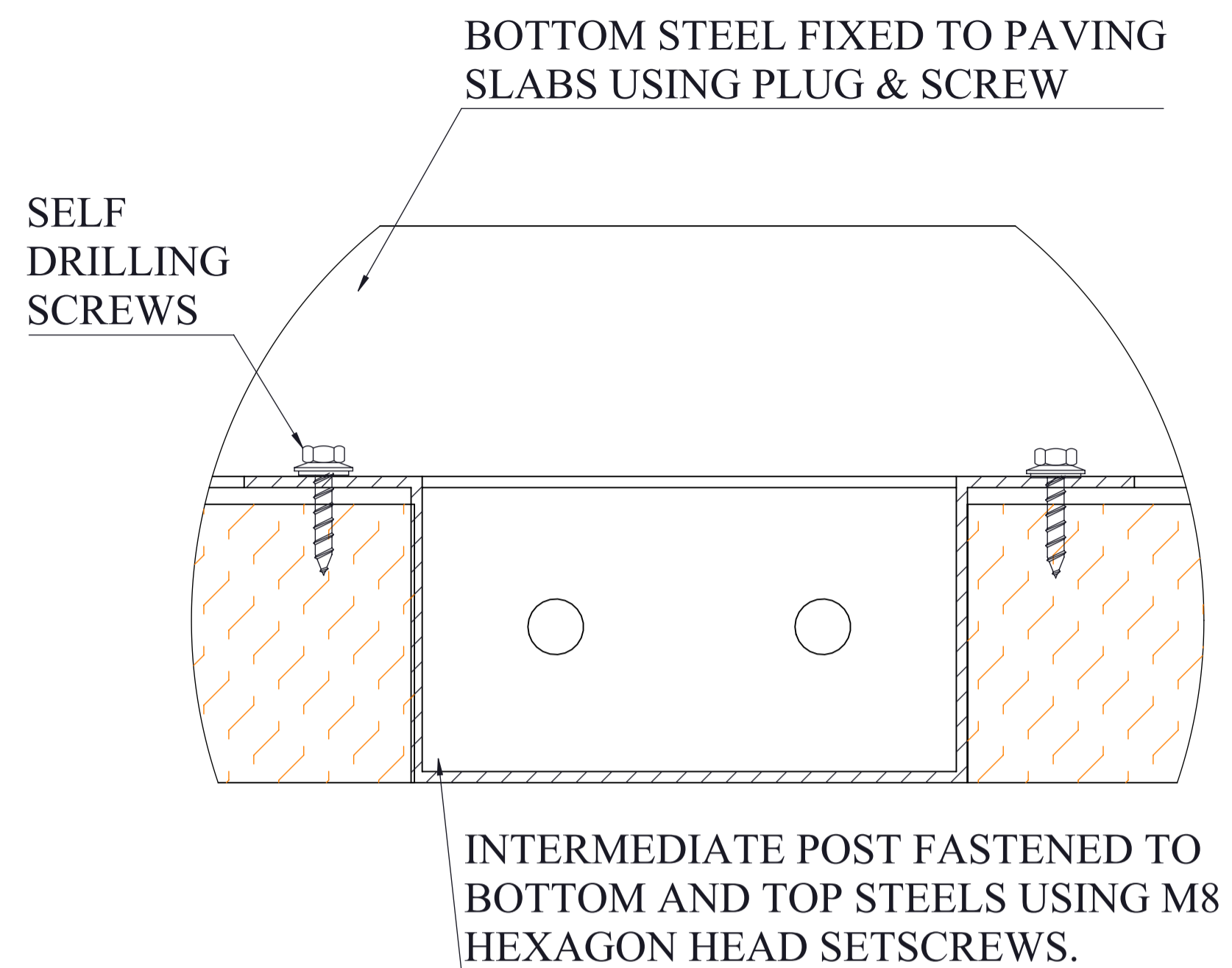
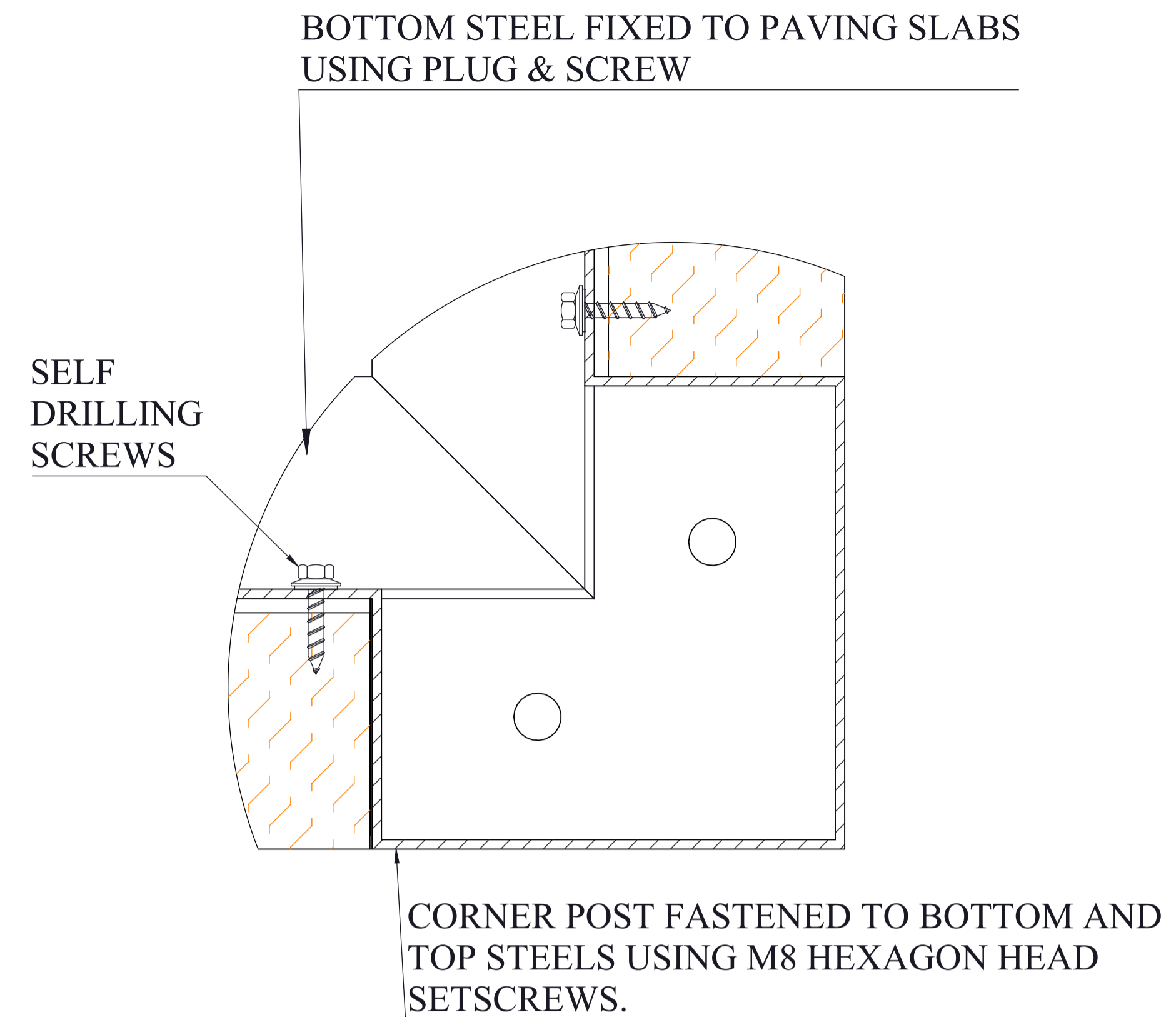


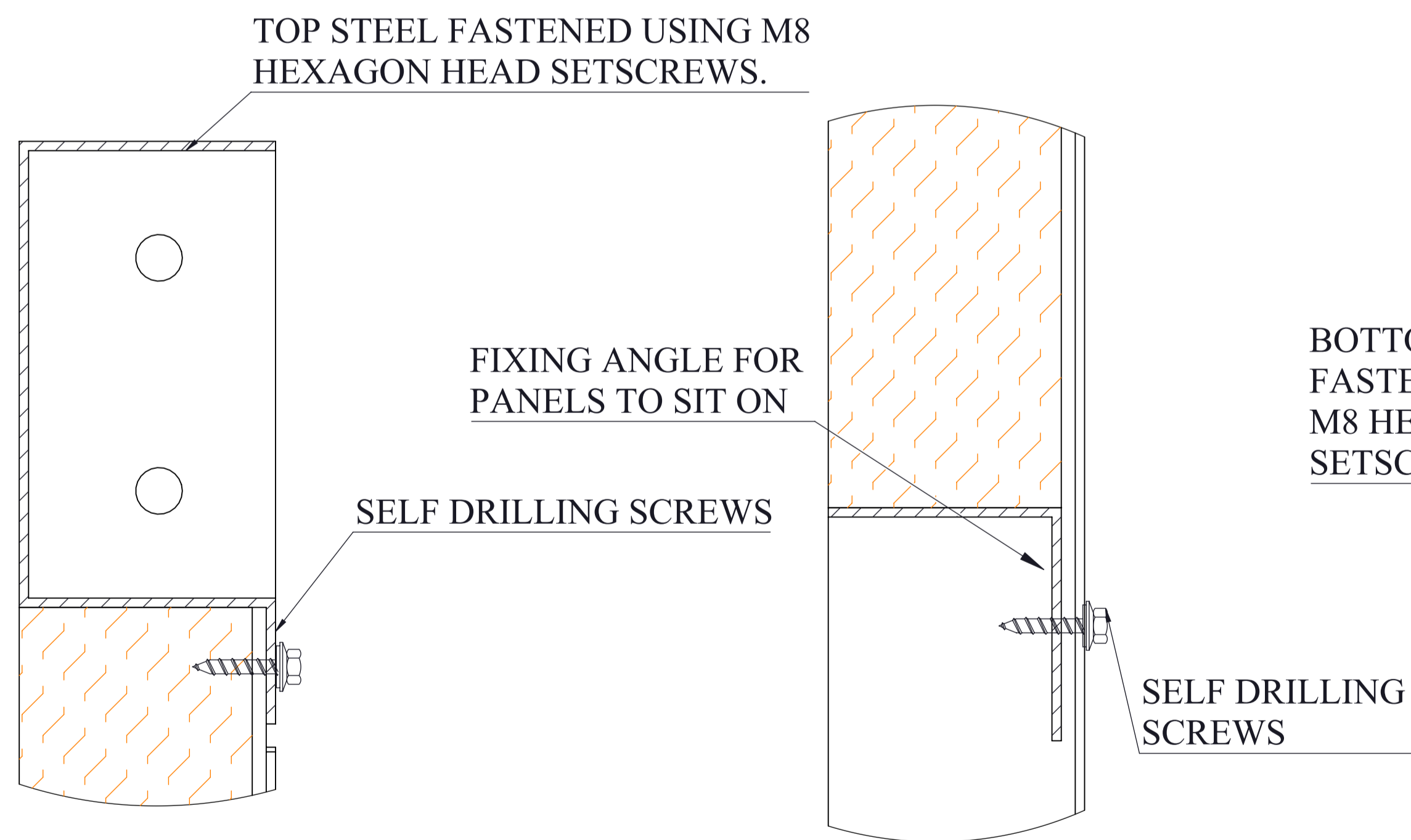
DETAIL F



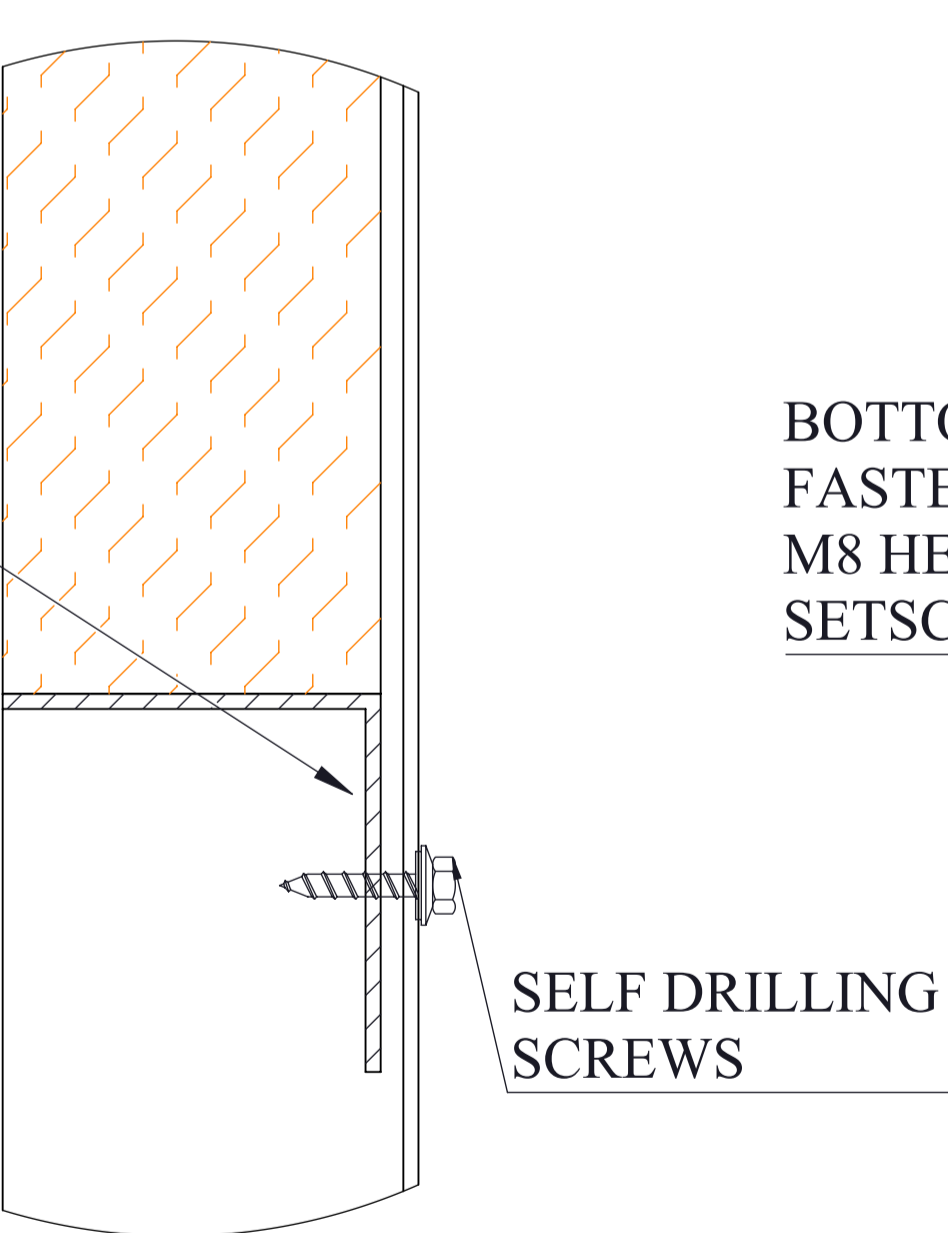
DETAIL G



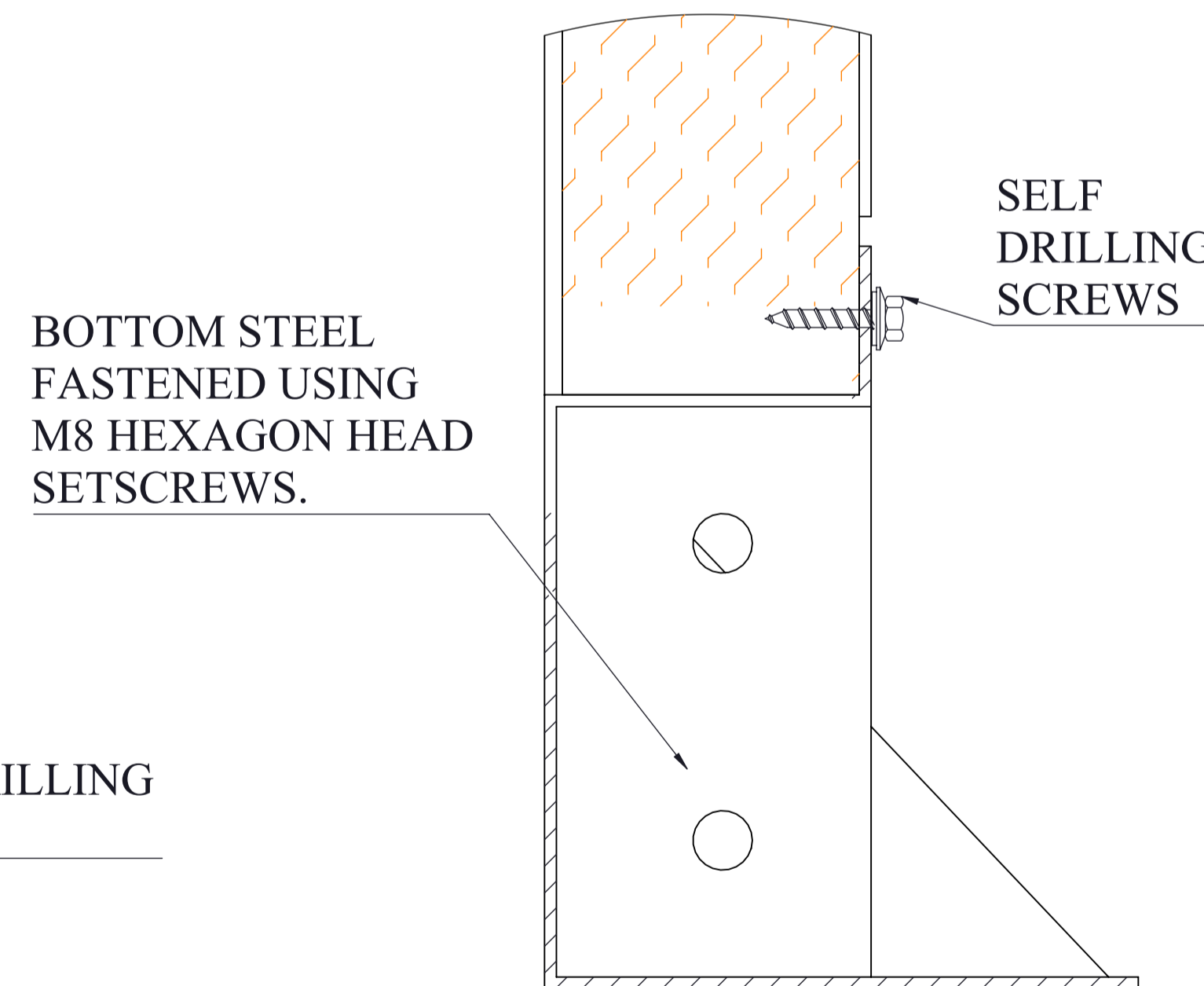
DETAIL H



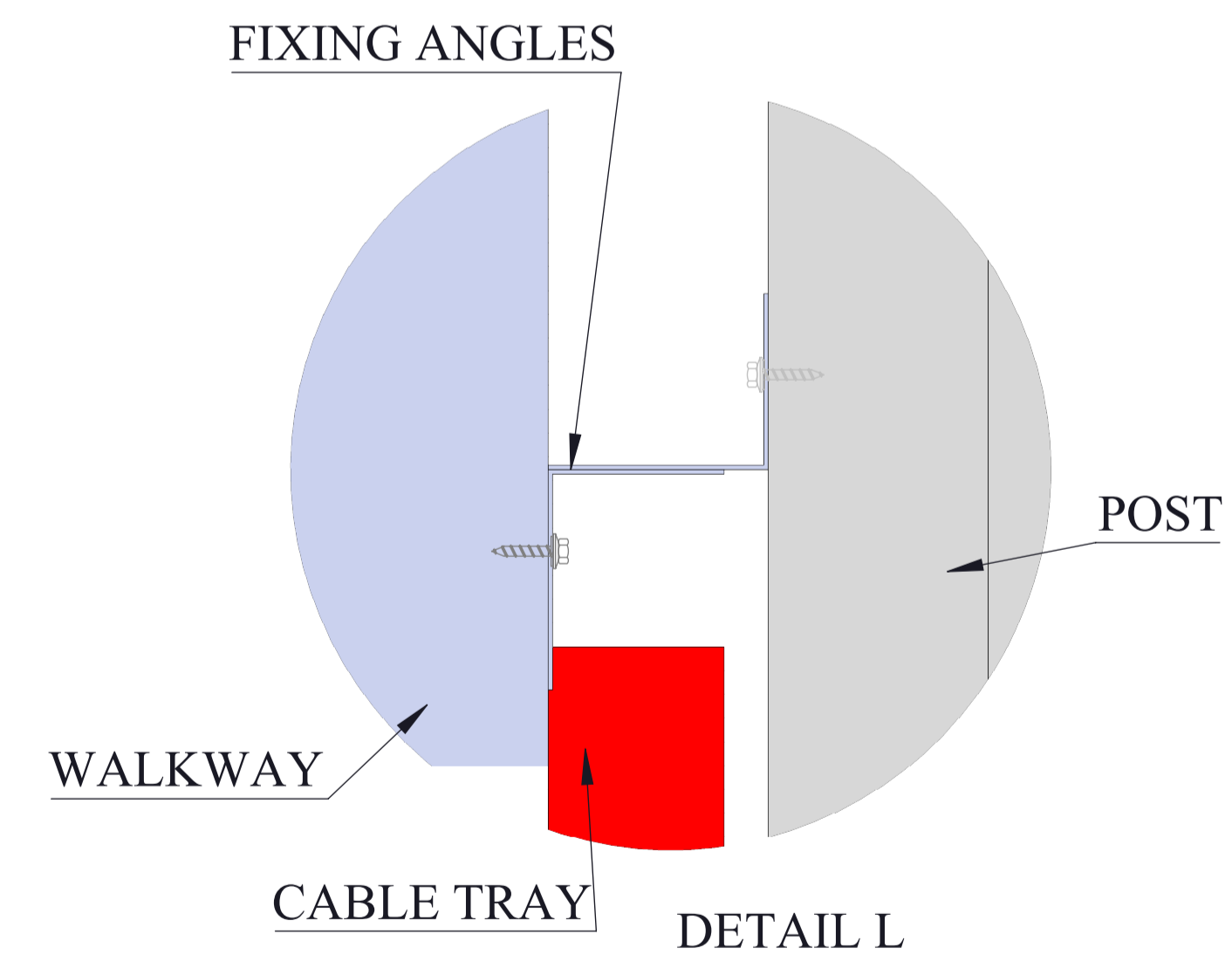
DETAIL I



DETAIL J



DETAIL K



DETAIL L

B	Modified in line with site meeting.	12/10/2023
A	Updated inline with architect comments	22/09/2023

Rev	Amendment	Date
 First Angle Projection unless stated		Scale NTS

Title
Acoustic Screen 03 Details

Project
Royal Free Hospital

Client
Logan Construction Ltd

Drawing Number
CS8664-109

Rev.
B

CONABEARE ACOUSTICS
11 Chiltern Enterprise Centre,
Station Road, Theale,
Berkshire RG7 4AA
T:0118 930 3650 F:0118 930 3912
E:sales@conabear.co.uk

Date:
24/07/2023

Drawn By
WD

Issue
Approval

Checked By
sjm

The information contained on this drawing/specification is the property of Conabear Acoustics Limited and may not be reproduced or disclosed to a third party in any form without the written permission of Conabear Acoustics Limited.