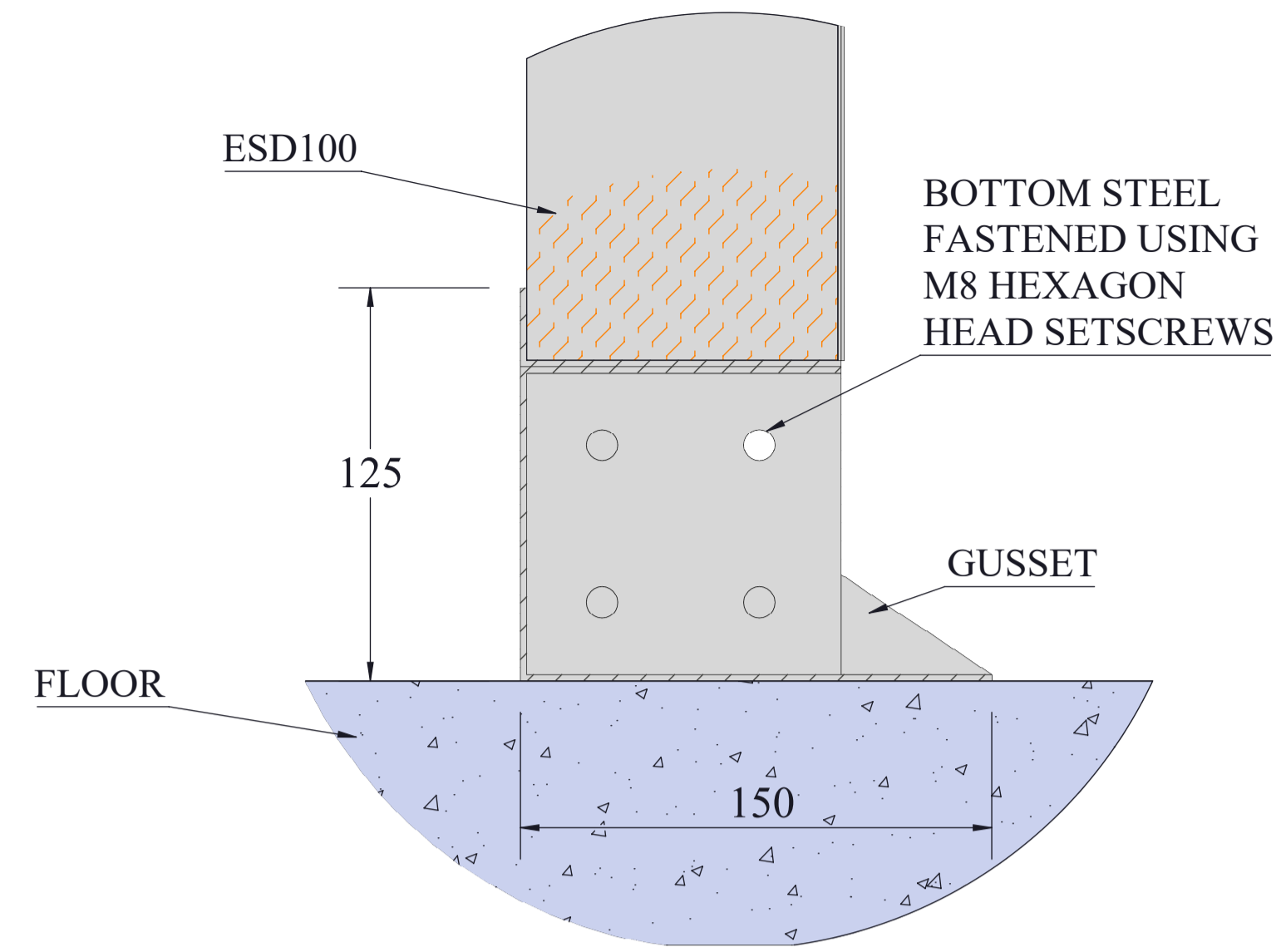
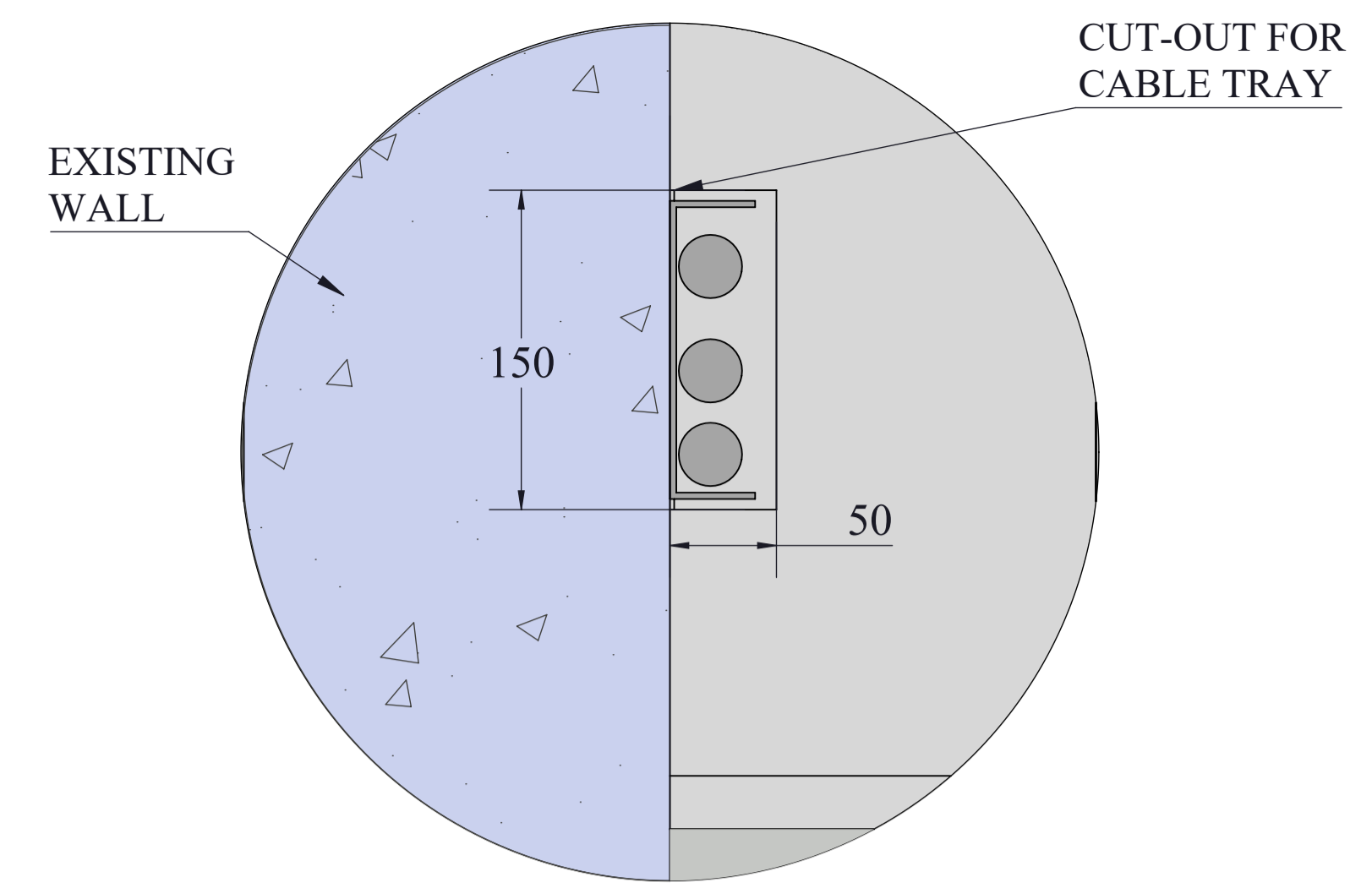


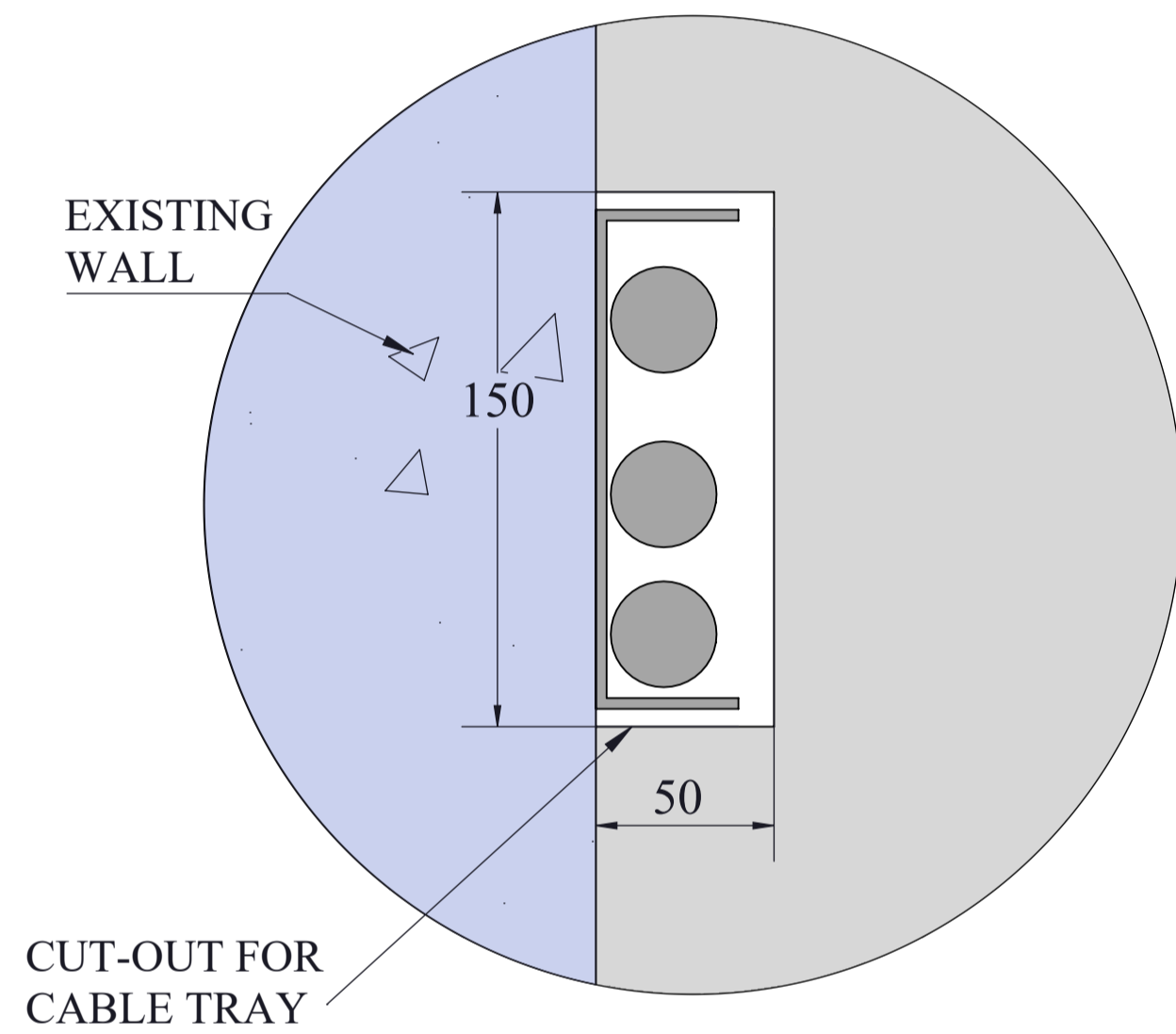
DETAIL F



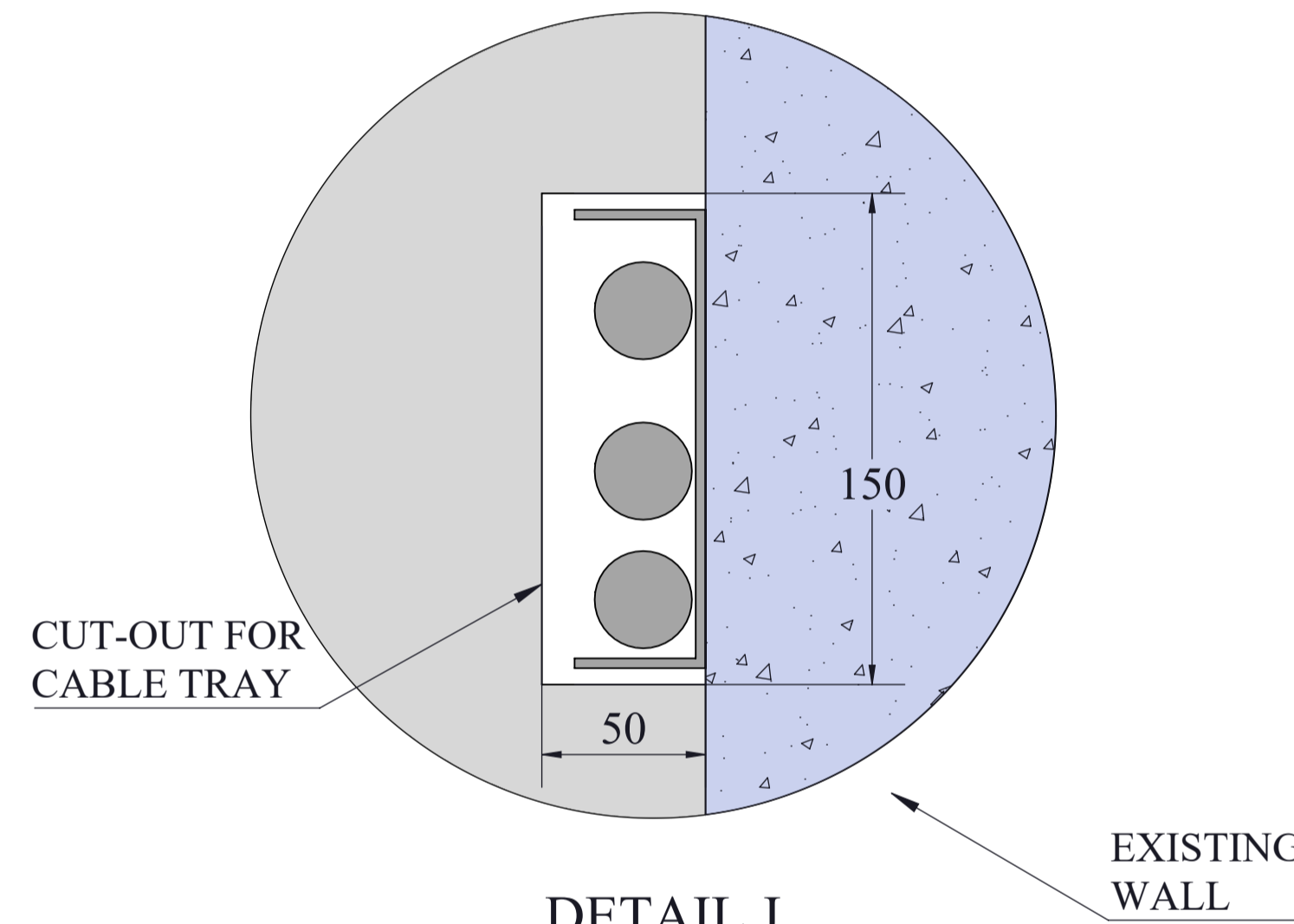
DETAIL G



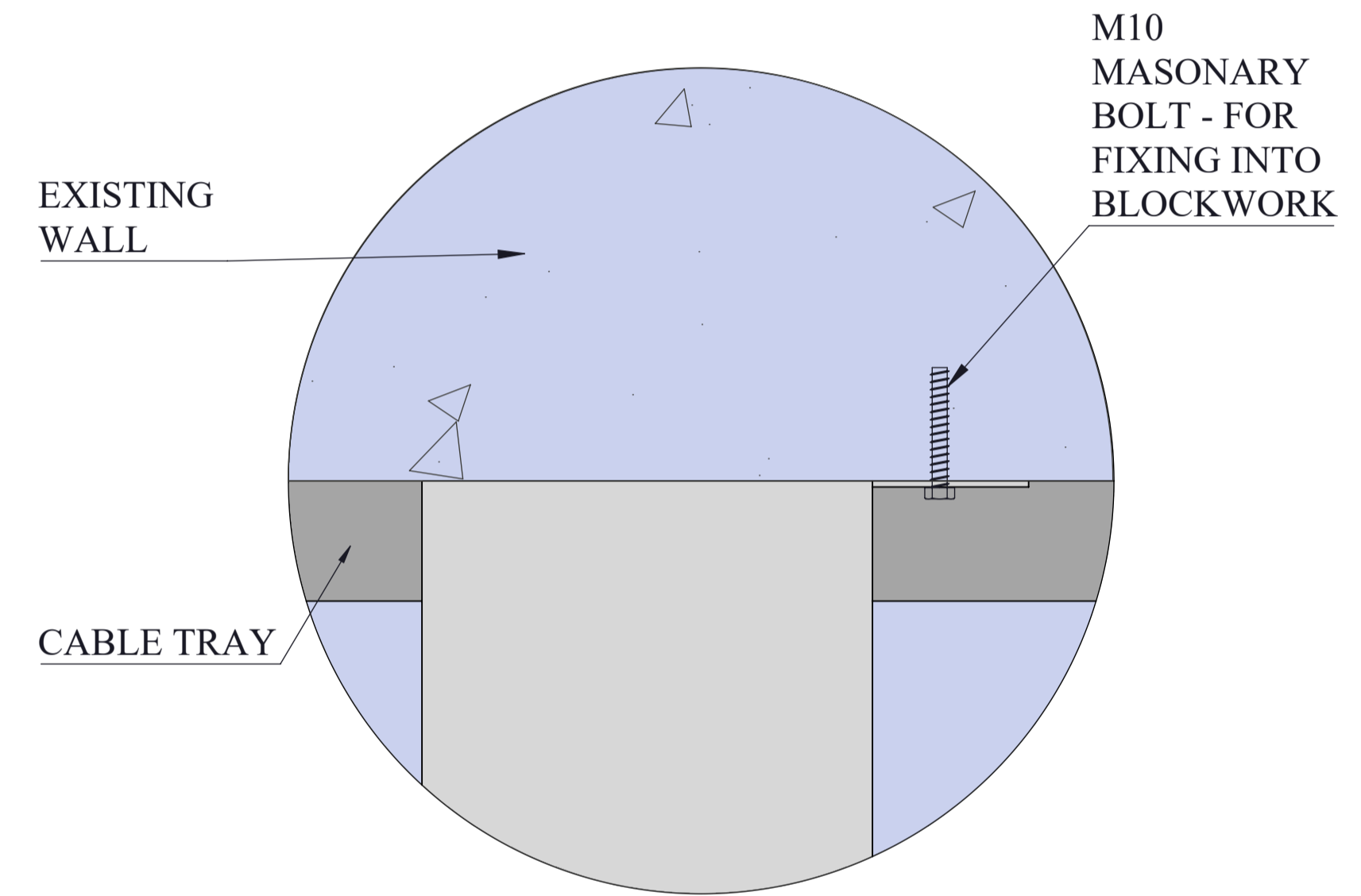
DETAIL H



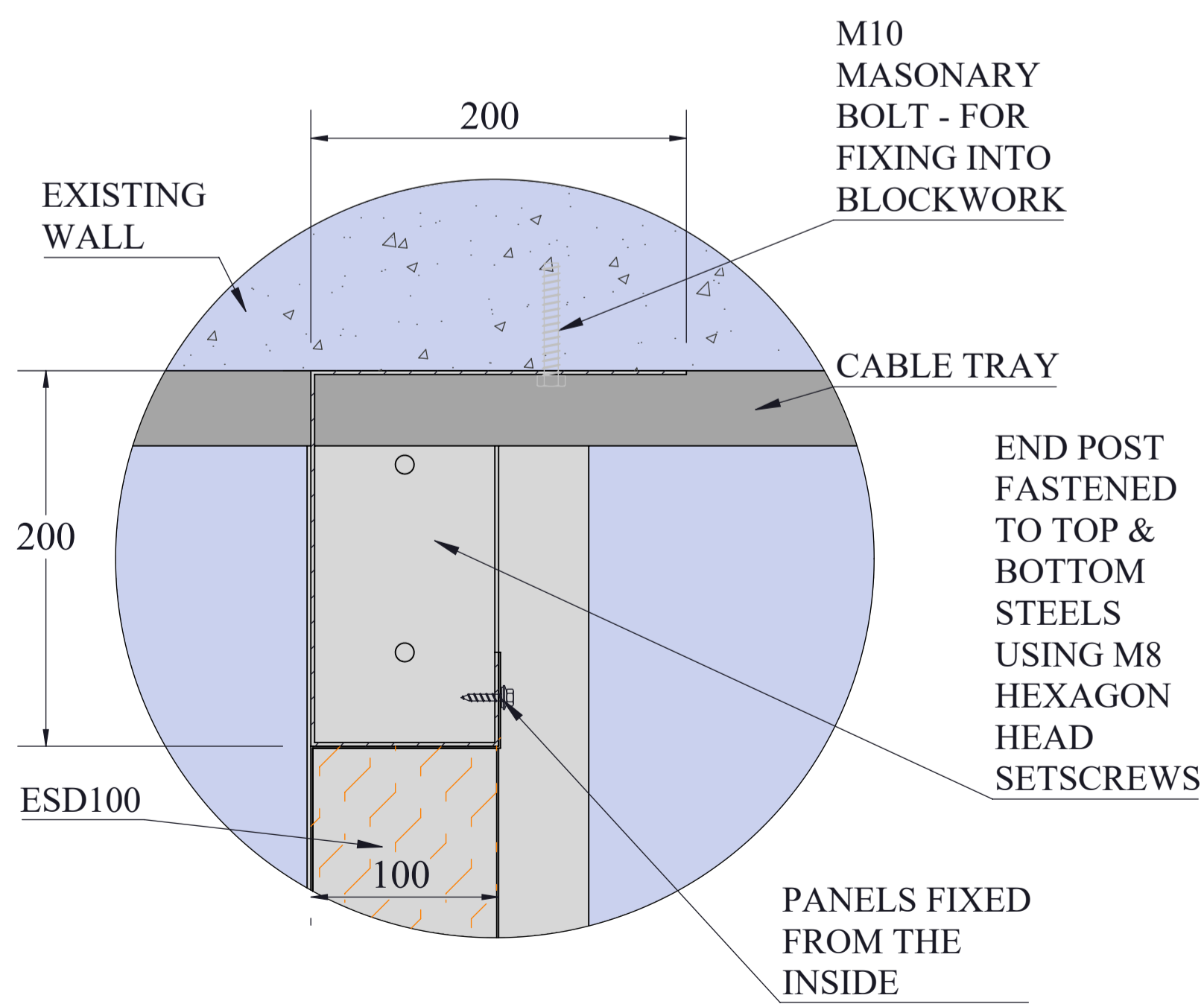
DETAIL I



DETAIL J

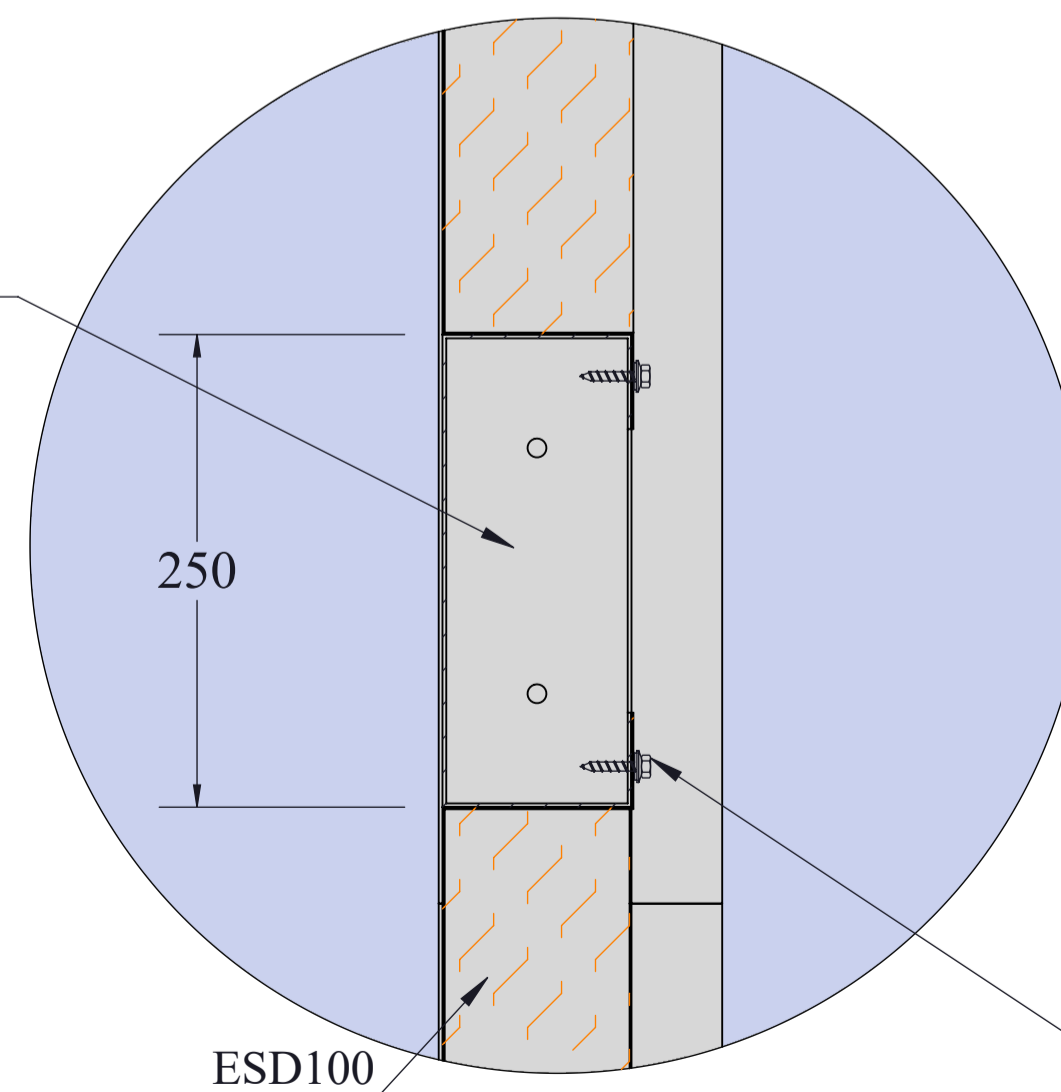


DETAIL K

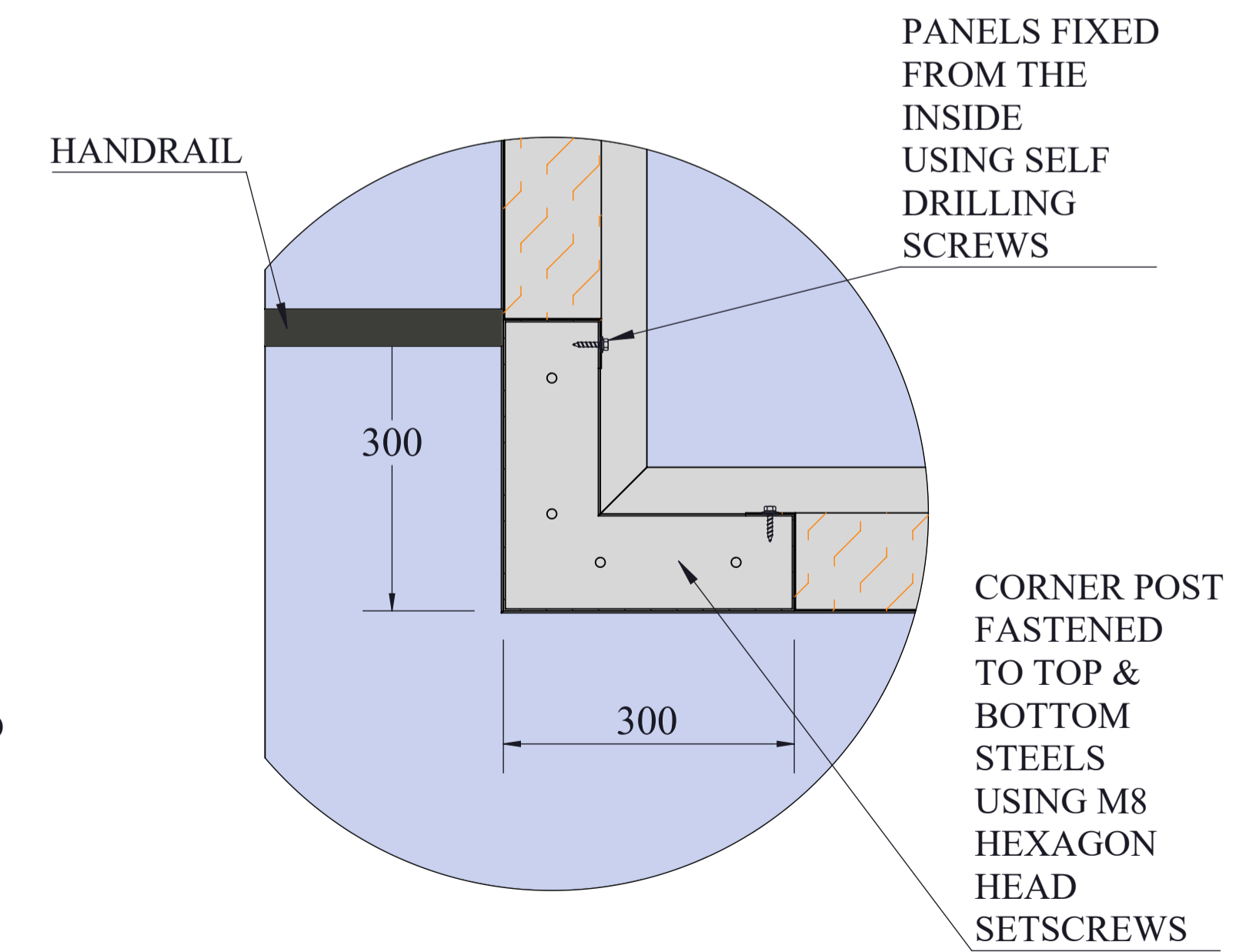


DETAIL L

INTERMEDIATE POST FASTENED TO TOP & BOTTOM STEELS USING M8 HEXAGON HEAD SETSCREWS.



DETAIL M



DETAIL N

NOTE: CONFIRMATION OF PIPEWORK LOCATION REQUIRED

A	Modified in line with site meeting.	12/10/2023
---	-------------------------------------	------------

Rev	Amendment	Date
-----	-----------	------

 First Angle Projection unless stated	Scale NTS
--	--------------

Title Acoustic Screen 01 - Details
---------------------------------------

Project Royal Free Hospital
--------------------------------

Client Logan Construction Limited
--------------------------------------

Drawing Number CS8664-108	Rev. A
------------------------------	-----------

**CONABEARE ACOUSTICS**  
 11 Chiltern Enterprise Centre,  
 Station Road, Theale,  
 Berkshire RG7 4AA  
 T:0118 930 3650 F:0118 930 3912  
 E:sales@conabear.co.uk

Date: 24/07/2023	Drawn By WD
---------------------	----------------

Issue Approval	Checked By sjm
-------------------	-------------------

The information contained on this drawing/specification is the property of Conabear Acoustics Limited and may not be reproduced or disclosed to a third party in any form without the written permission of Conabear Acoustics Limited.