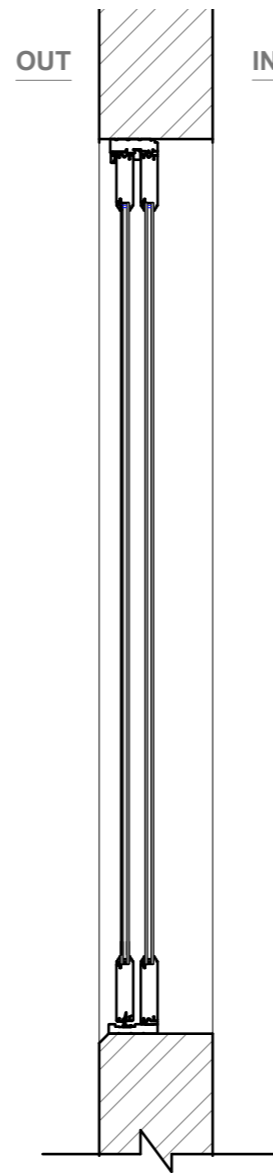
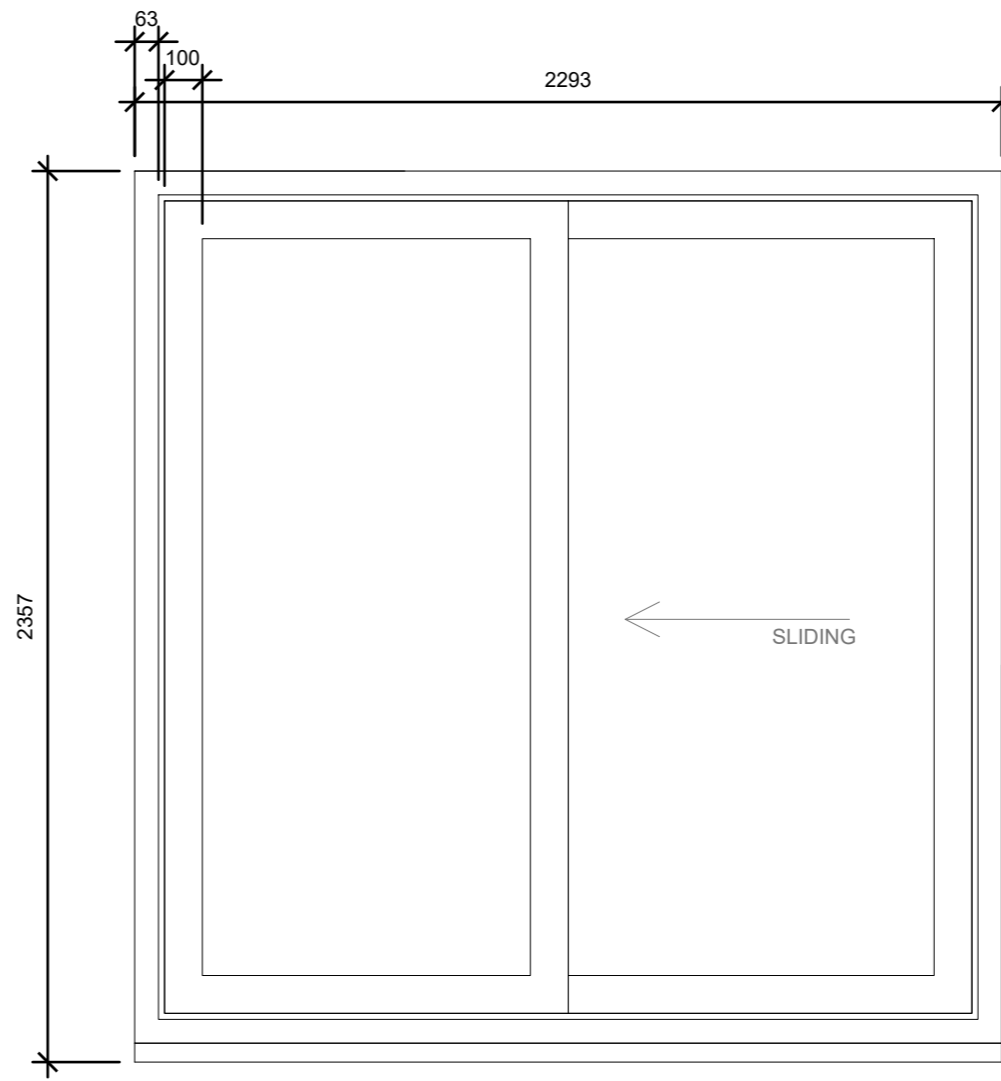


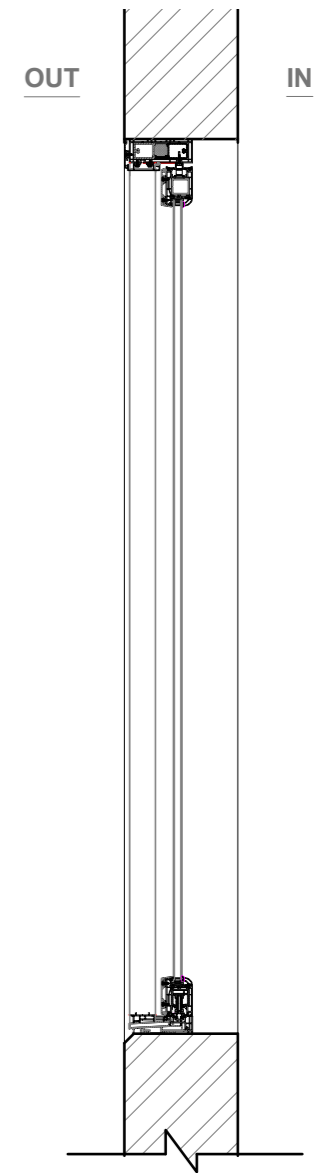
Existing typical Sliding Door Elevation
Scale 1:20



Existing typical Sliding Door Section
Scale 1:20



Proposed typical Sliding Door Elevation
Scale 1:20



Proposed typical Sliding Door Section
Scale 1:20

- GENERAL NOTES:**
1. ALL DIMENSIONS ARE IN MILLIMETER.
 2. VERIFY ALL DIMENSIONS AND CONDITIONS BEFORE BUILDING OR STARTING CONSTRUCTION. NOTIFY THE DESIGNER IMMEDIATELY OF ANY DISCREPANCY OR VARIATION.
 3. ALL WORK TO COMPLY WITH CURRENT BUILDING REGULATIONS AND CODES OF PRACTICE

Title:

Existing & Proposed Door Details

Site Address

Flat 1-6
Sequoia House
50 Lithos Road
London
NW3 6EY

Scale: 1:20 @A3

Date: 19/03/2024

Drawing No.:
2023/148 -08

Drawn By:

RO

Revision Date:

A	25-03-2024
---	------------

e:mail -
faluckpatel@yahoo.com
(M) +44 (0) 7871 466 254

**Faluck
Patel**