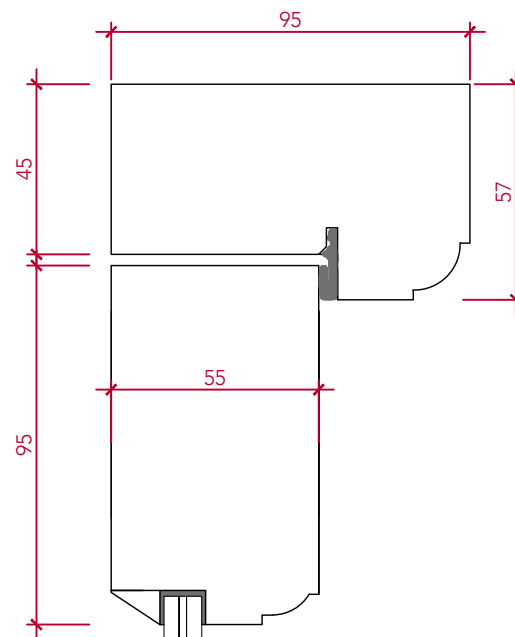
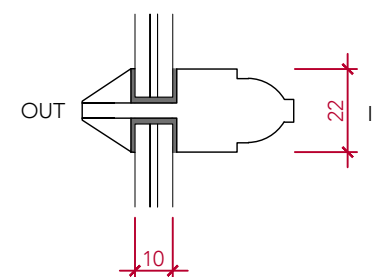


MONO Laminate single glazing Histoglass

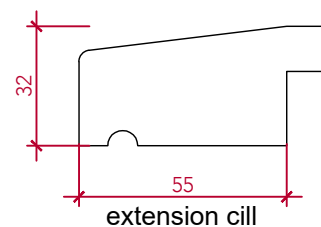
(A) Vertical section  
SCALE 1:2



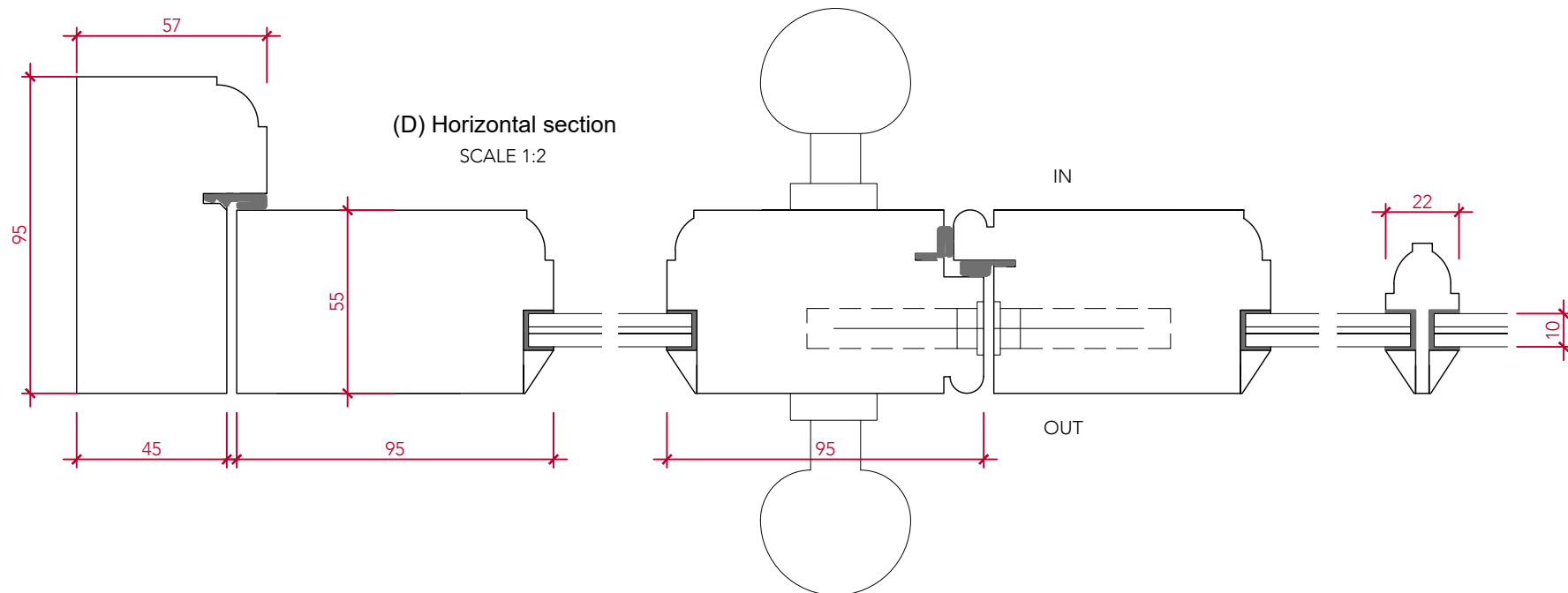
(B) Vertical section  
of the glazing bar  
SCALE 1:2



(C) Vertical section  
of cill  
SCALE 1:2



(D) Horizontal section  
SCALE 1:2



This drawing is protected under Copyright and at no time should any portion of this drawing be reproduced or copied without the permission of the Architect. (Design Copyright Act 1968)

This drawing must not be used for purposes other than that for which it is provided. It is supplied without liability for any errors or omissions.

Drawings only to be scaled for planning application purposes, all dimensions to be checked on site. All drawings subject to Statutory Authority Approval.

Notes

| No | Rev        | Date       |
|----|------------|------------|
| A  | AMENDMENTS | 22.03.2024 |
| -  | PLANNING   | 18.08.2023 |

PLANNING



ARCHITECTS + INTERIOR DESIGNERS

91A - 91B HEATH STREET  
LONDON NW3 6SS  
Tel 020 7 636 3838

INFO WWW.TG-STUDIO.CO.UK

Project  
9 GAINSBOROUGH GARDENS  
NW3 1BJ

Date  
18.08.23

Scale @ A3  
1:20 & 1:5

Drawing  
PROPOSED FRENCH DOOR  
LOWER GROUND FLOOR  
DETAILS

Drawn by  
AL

Checked by  
TG

Job No.  
270

Dwg No.  
P-550

Rev  
A