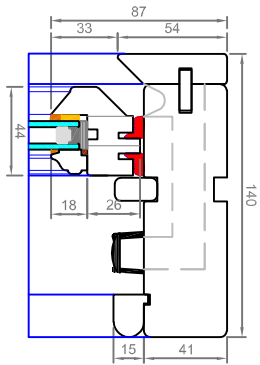
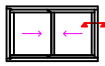
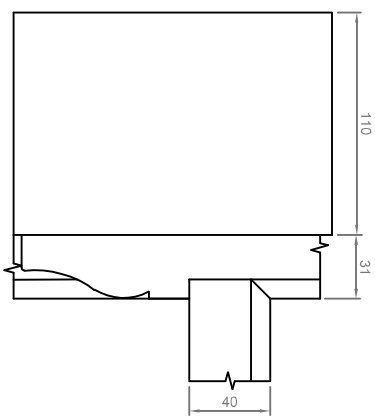
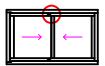


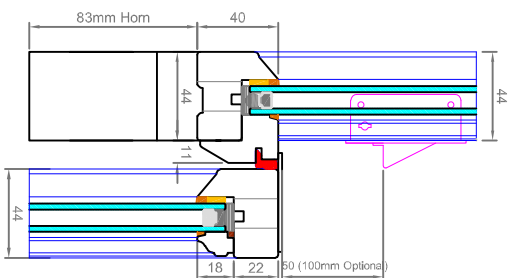
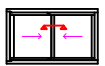
HEAD DETAIL  
WINDOW REF: ALL SLIDING SASH WINDOWS



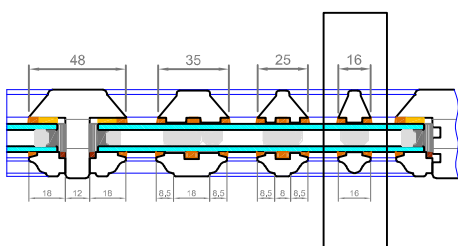
SASH HORN DETAIL - BELSAY  
WINDOW REF: ALL SLIDING SASH WINDOWS



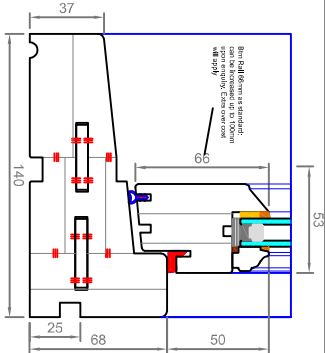
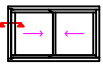
MEETING RAIL DETAIL - NO HORN  
WINDOW REF: ALL SLIDING SASH WINDOWS



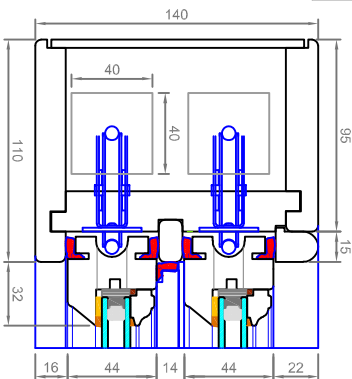
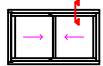
BAR DETAIL  
WINDOW REF: ALL SLIDING SASH WINDOWS



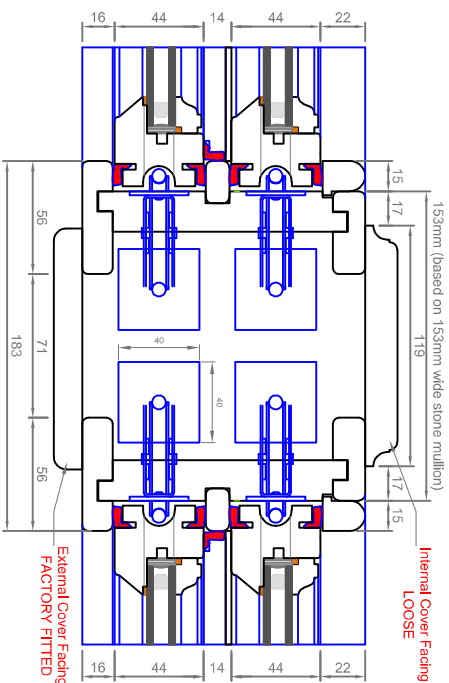
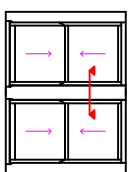
CILL DETAIL  
WINDOW REF: ALL SLIDING SASH WINDOWS



JAMB DETAIL - IN-LINE SPIRAL BALANCE  
WINDOW REF: ALL SLIDING SASH WINDOWS



MULLION DETAIL  
WINDOW REF: W8



NOTES:

TITLE:  
SECTION

DIMENSIONS	SCALE	DRAWN BY:	DATE	REV	DRAWING NO.
mm	N/A	JS	20/02/2024	-	HS8020 (B (2))

Please consider the environment before printing

