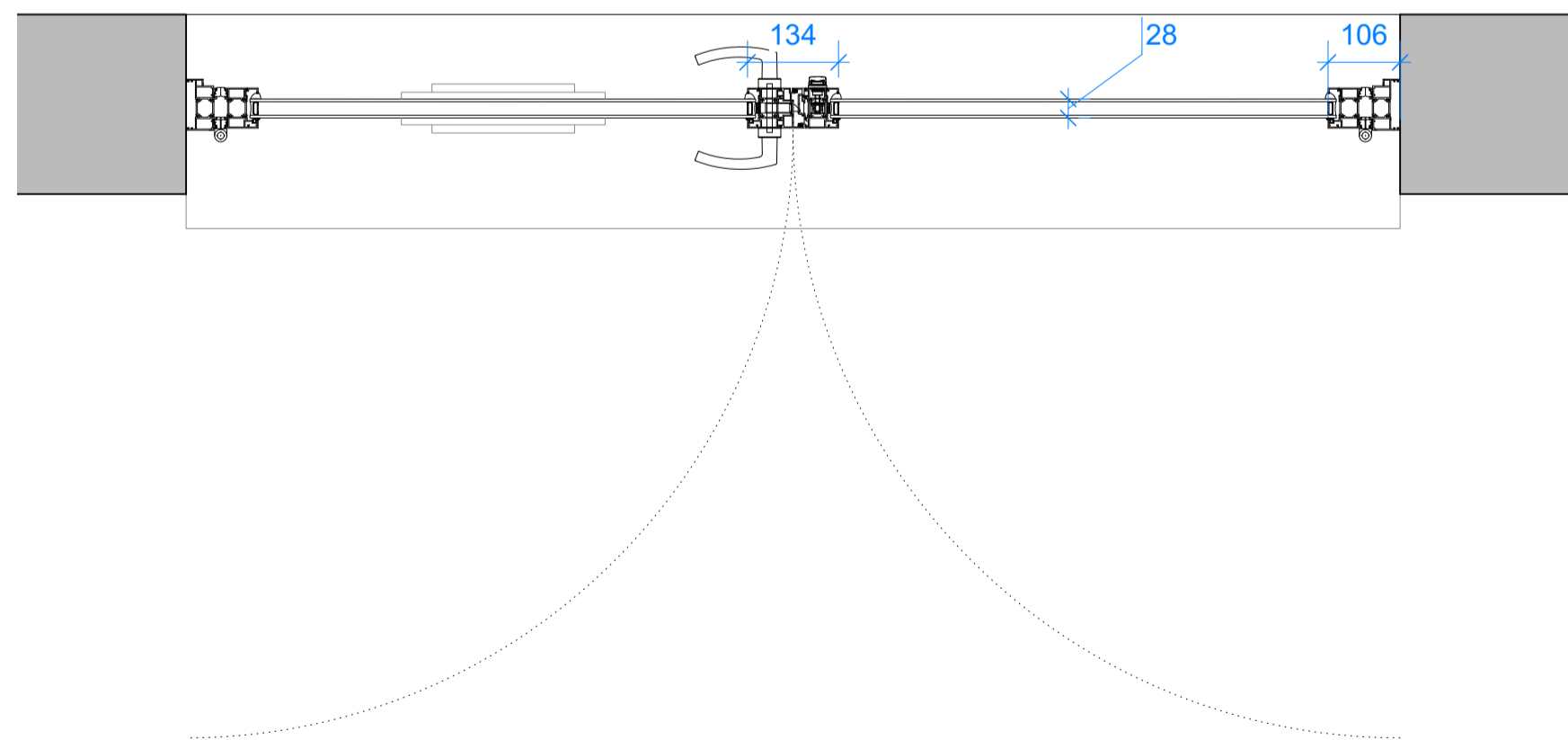
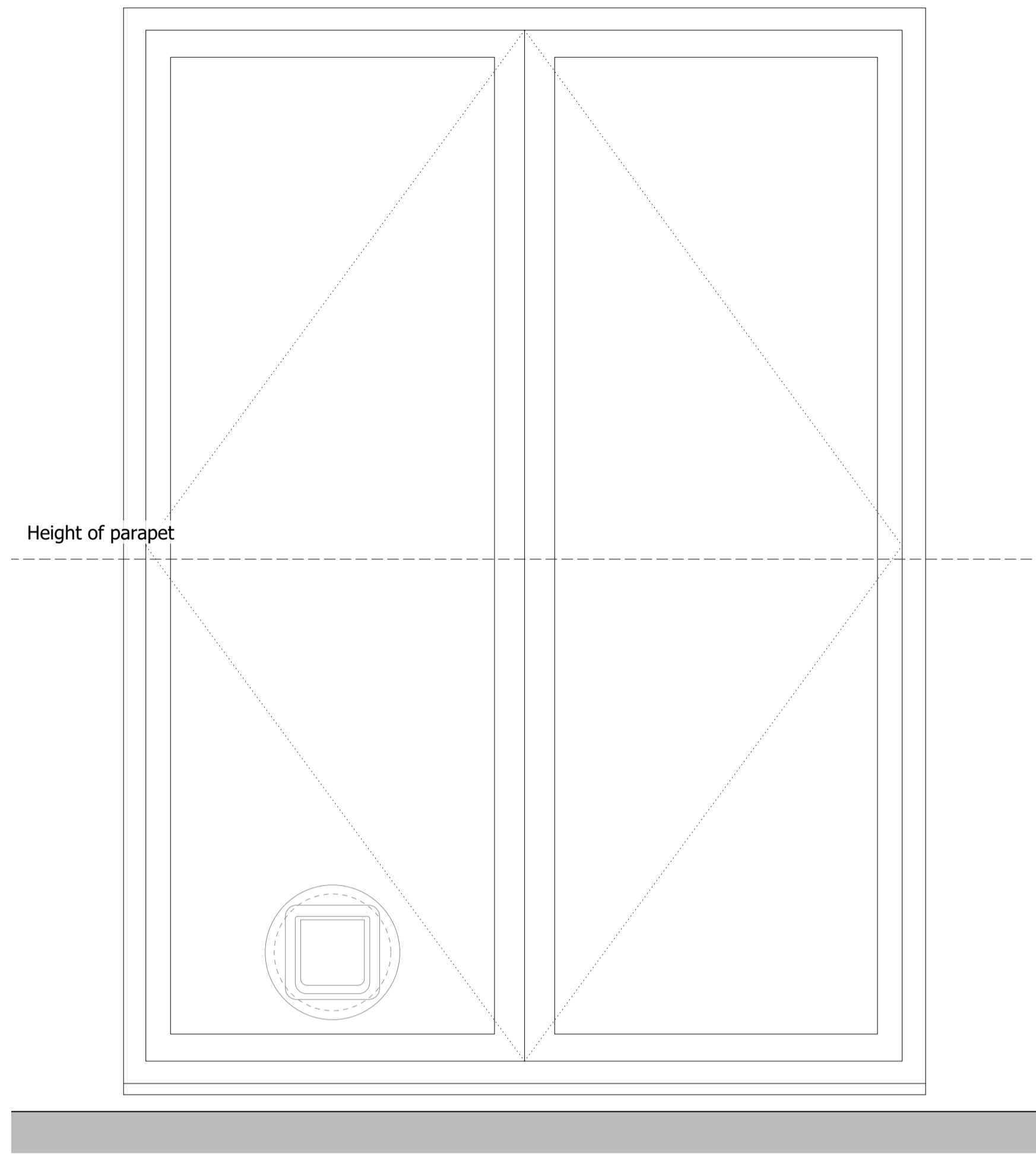
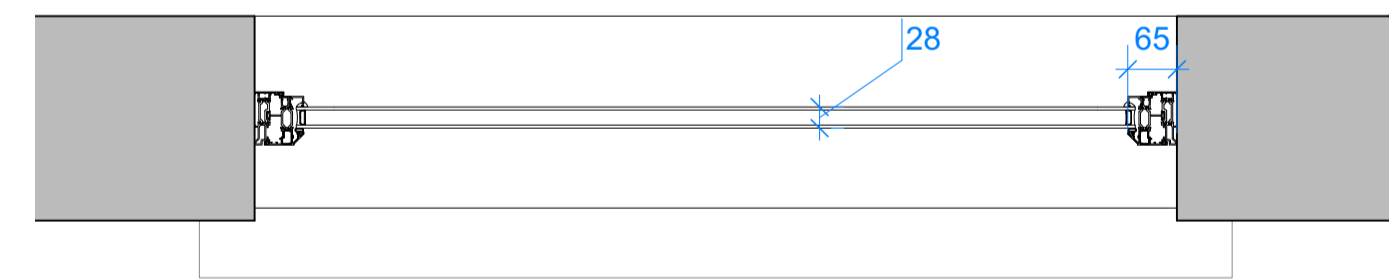
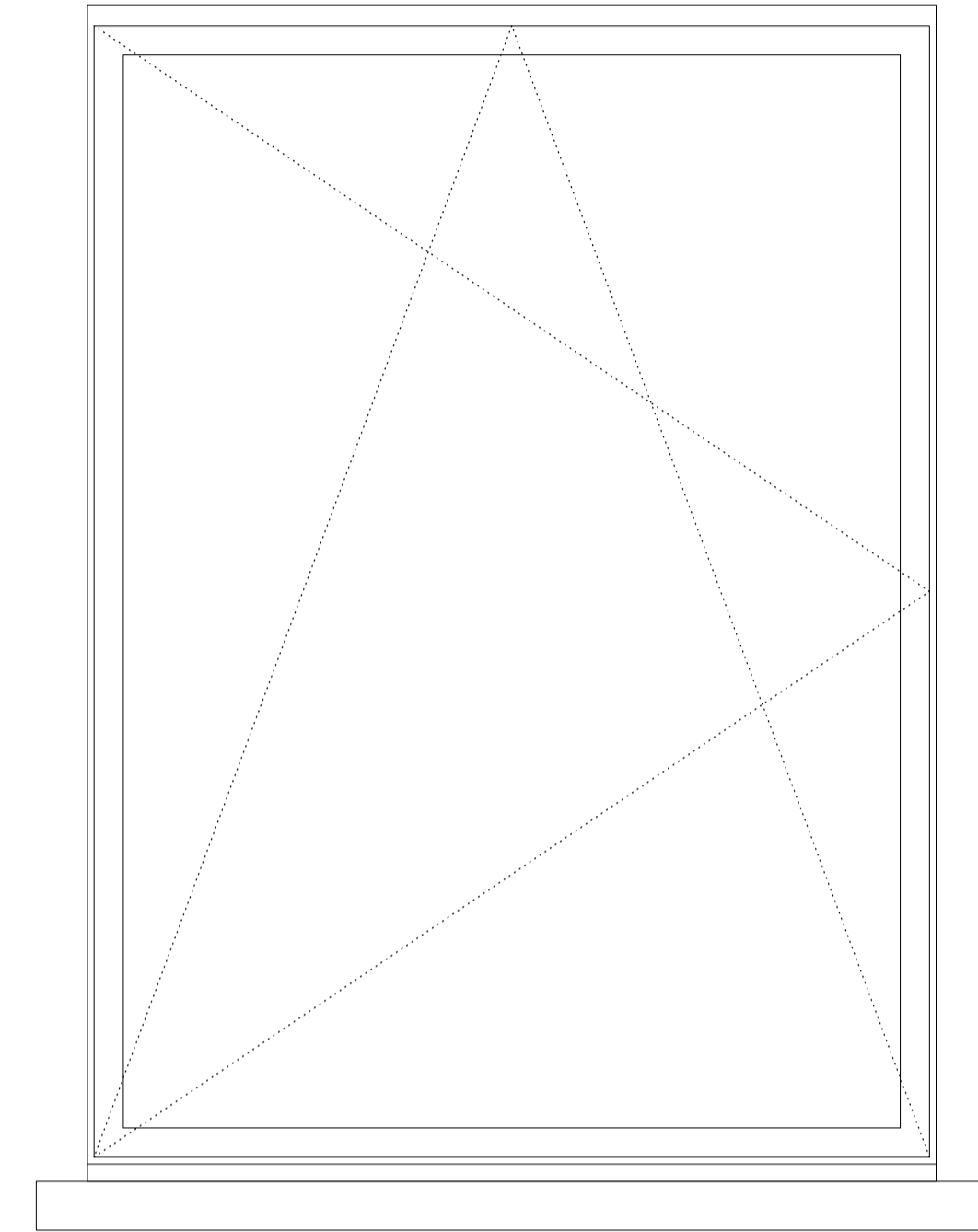
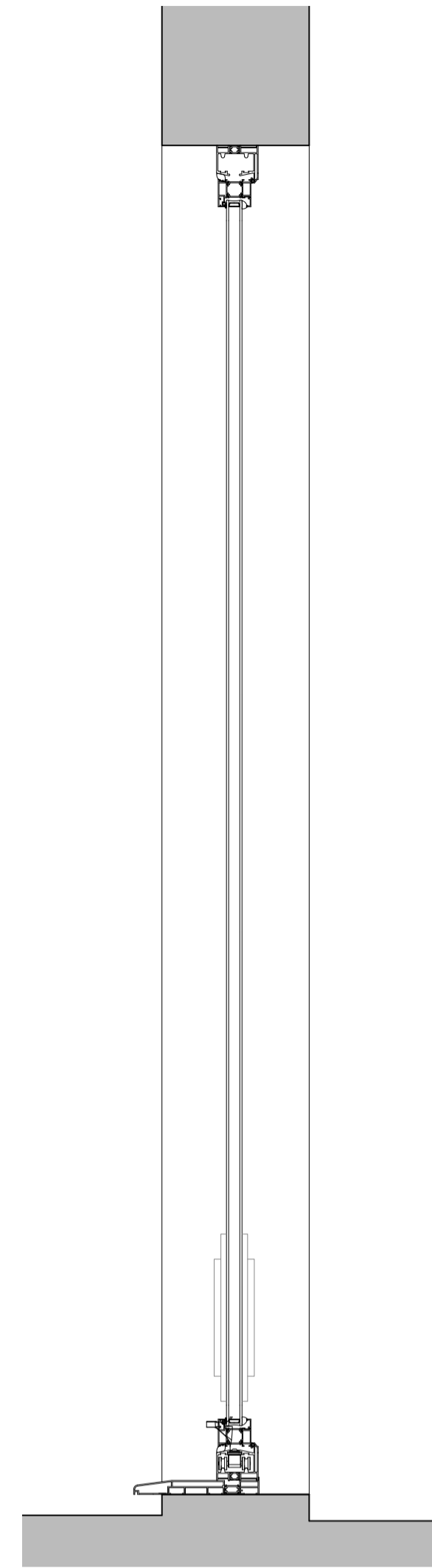




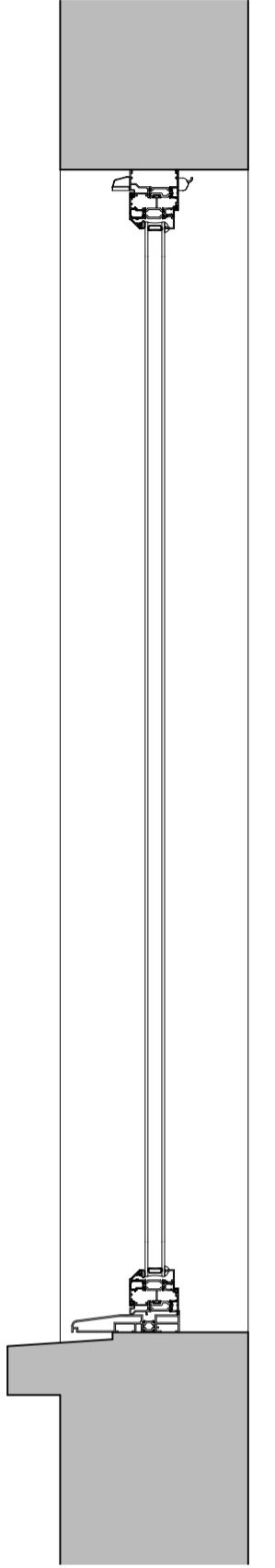
1 Existing Unsympathetic Timber Door & UPVC Window



2 Typical Proposed Aluminium Door Plan, Elevation & Section  
Scale: 1:10



3 Typical Proposed Aluminium Window Plan, Elevation & Section  
Scale: 1:10



Notes  
 - All contents copyright.  
 - Do not scale.  
 - Based on survey by others.  
 - Contractor to verify all dimensions on site.  
 - Read in conjunction with all relevant Architect's, Consultant's & Supplier's information.  
 - Report any discrepancies to the Architect.

Project: Alterations & Refurbishment at 55b Bassett Street, London, NW5 4PG  
 Drawing: Aluminium Window Details Existing & Proposed  
 Number: 2307\_D208 Status: Information  
 Scale: 1/10 @ A1 Drawn: AvdL  
 Date: XX/XX/24 Checked: DJS  
 Neil Kahawatte Architects  
 Studio 36  
 Archway Studios  
 Bickerton House  
 25-27 Bickerton Road  
 London, N19 5JT  
 020 7360 5330  
 mail@neilkahawatte.com  
 Company Number: 8530938