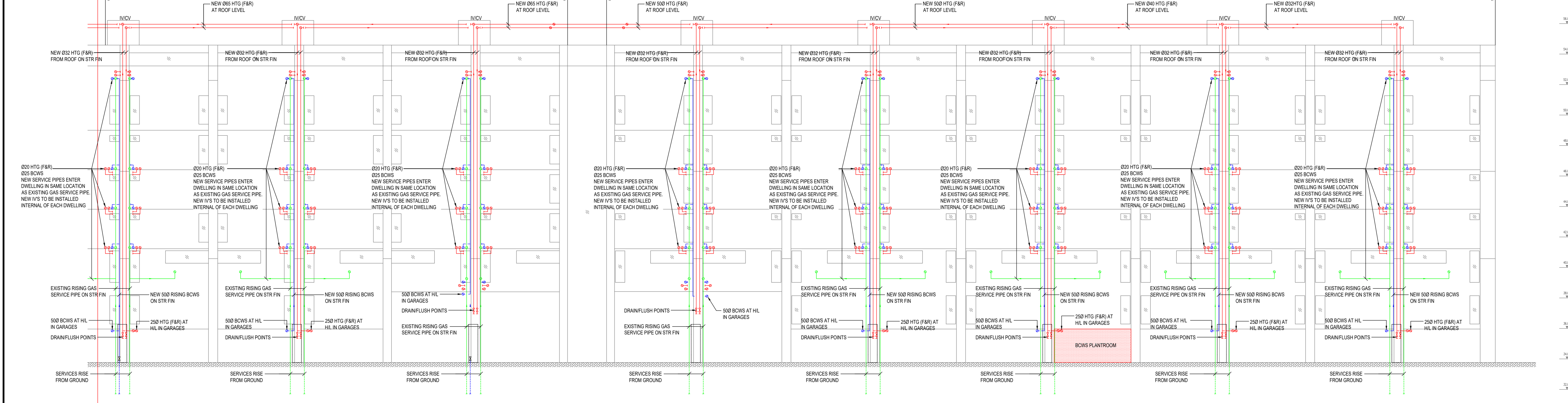


ELEVATION A-A

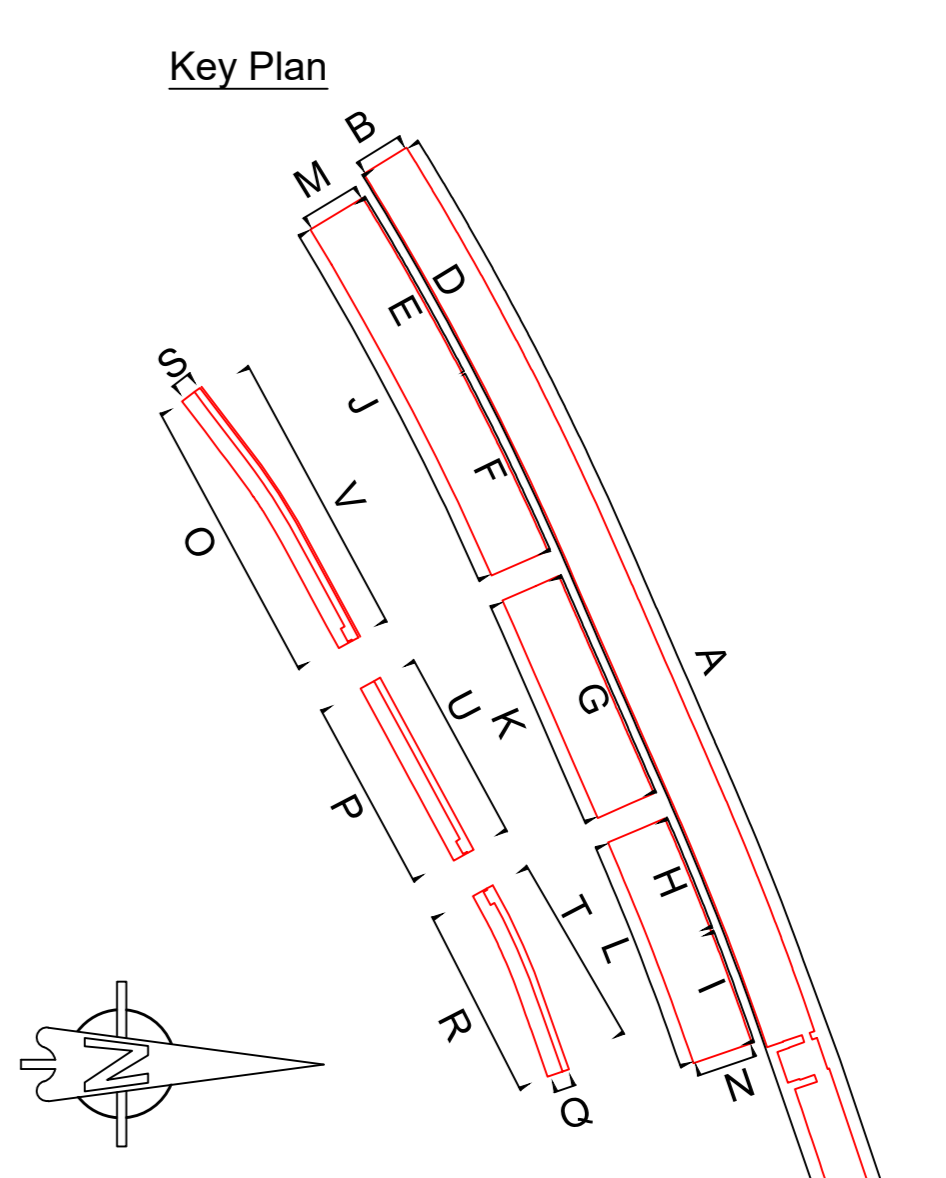


ELEVATION A-A

NOTES  
 1. FOR STANDARD DRAWING NOTES & LEGEND PLEASE REFER TO DRAWING NO. 3547-RW-M-600

NOTES  
 1. ALL PIPEWORK FULLY INSULATED AND WEATHER PROTECTED WITH P.B. AND STUCCO ALUMINIUM CLADDING.

DRAWING LEGEND  
 - EXISTING GAS SERVICE PIPE  
 - NEW BOOSTED COLD WATER PIPE  
 - NEW HEATING FLOW & RETURN PIPE



A	BCWS PLANT ADDED	TDS	DM	29/01/2024
REV	AMENDMENT	DRN	CHK	DATE

Client  
**Camden**  
 ARGYLE STREET  
 LONDON  
 WC1H 8NJ

**BYA** BUTLER & YOUNG ASSOCIATES  
 Mechanical and Electrical Consulting Engineers  
 1st Floor, 54-62 Station Road East, Oxley, Surrey RH8 0PG  
 Telephone 01883 717172 Fax 01883 717174  
 Website www.bya.co.uk Email enquiries@bya.co.uk

Project  
 ALEXANDRA ROAD ESTATE  
 (ROWLEY WAY)

Drawing Title  
 PROPOSED REPLACEMENT HTG & DOM WATER  
 SERVICES PIPE ROUTE TO EXTERNAL  
 ELEVATION OF DWELLINGS (A1-A3)

Scales 1:100  
 Drawn NS  
 BVA Ref 3547  
 3547-RW-M-020

Int. -  
 Checked JS  
 Drawing Number: 3547-RW-M-020  
 Date NOV 23

Dwg Sheet A0  
 Date NOV 23  
 REV: A

**PLANNING DRAWING**