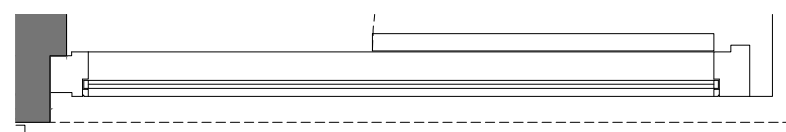


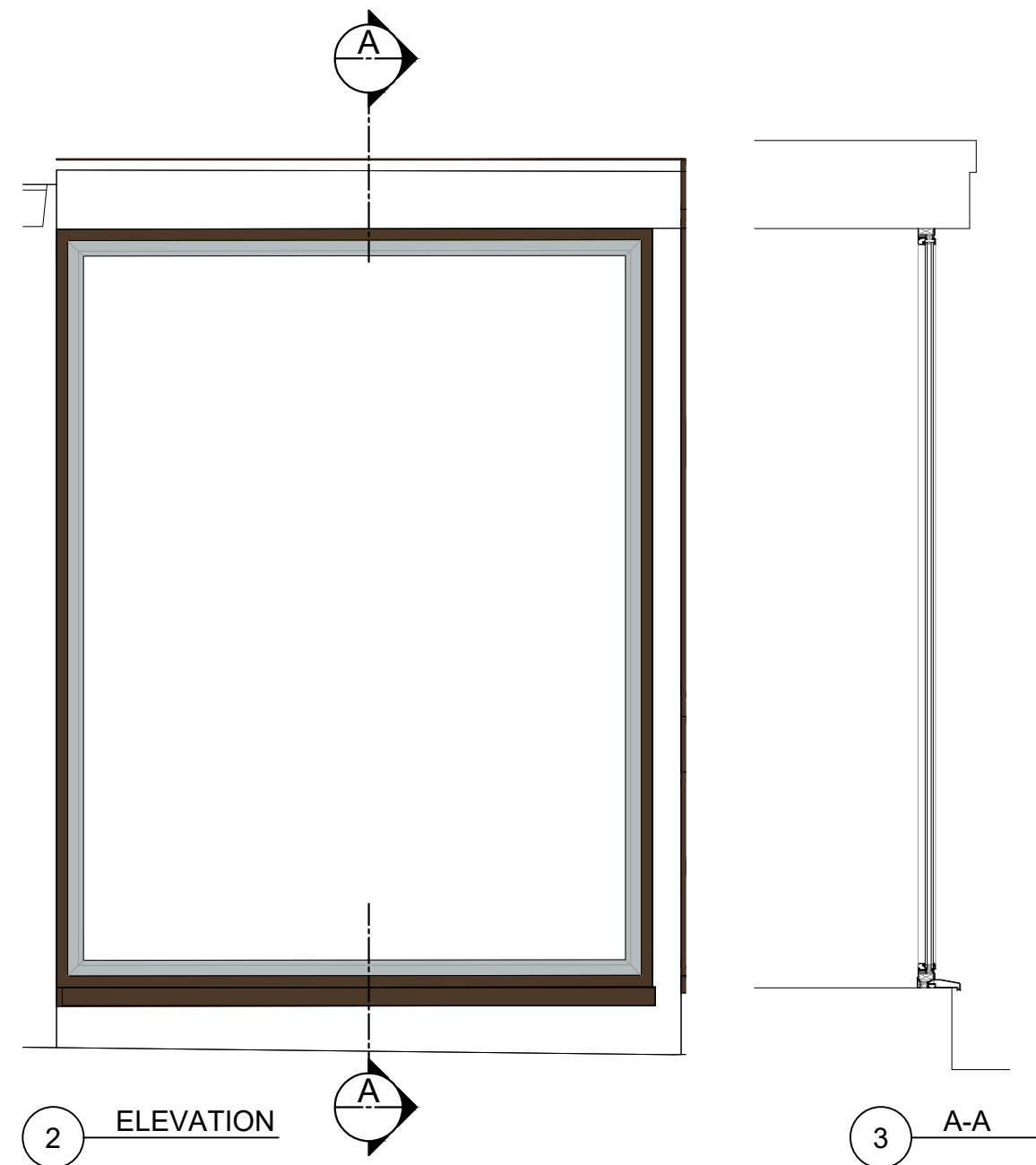
2 ELEVATION

3 A-A



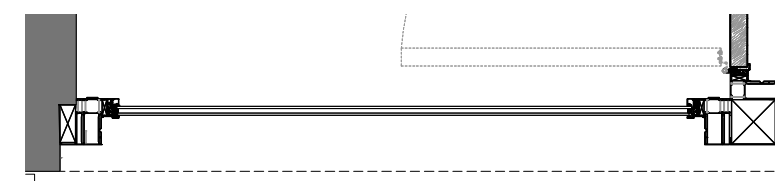
1 PLAN

EXISTING



2 ELEVATION

3 A-A



1 PLAN

PROPOSED



P1	24.07.2023	WHL
*ISSUED FOR PLANNING APPROVAL		
rev	amendments	date by



T +44 (0) 7883 732373
W ipa-architects.com

Project
5 & 6 Oak Hill Park Mews
Hampstead
London
NW3 7LH

Drawing Title
EXISTING / PROPOSED
WINDOW & DOORS

G.W1

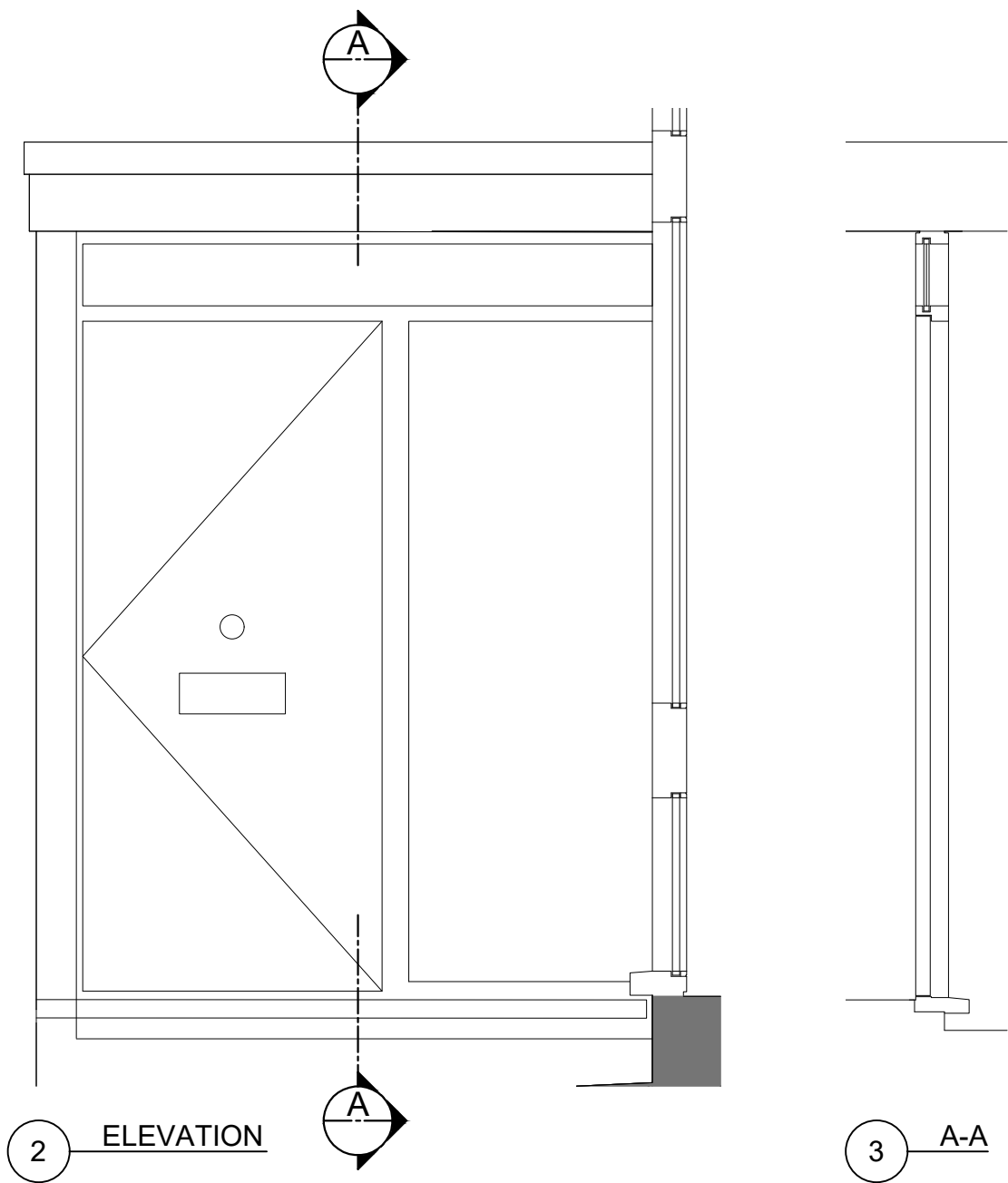
Drawing Status
PLANNING

Date 18.05.2023 Drawn by WHL

Scale
A3 @ 1:20

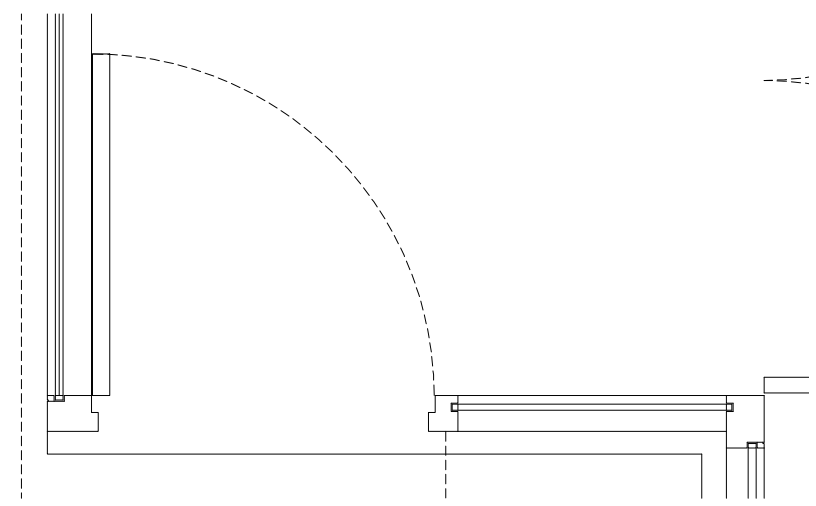
Project No.	Ref.	Drawing No.	Rev
23052	SH	601	P1

Cad File
23052.SH.600 (WIN_DR)



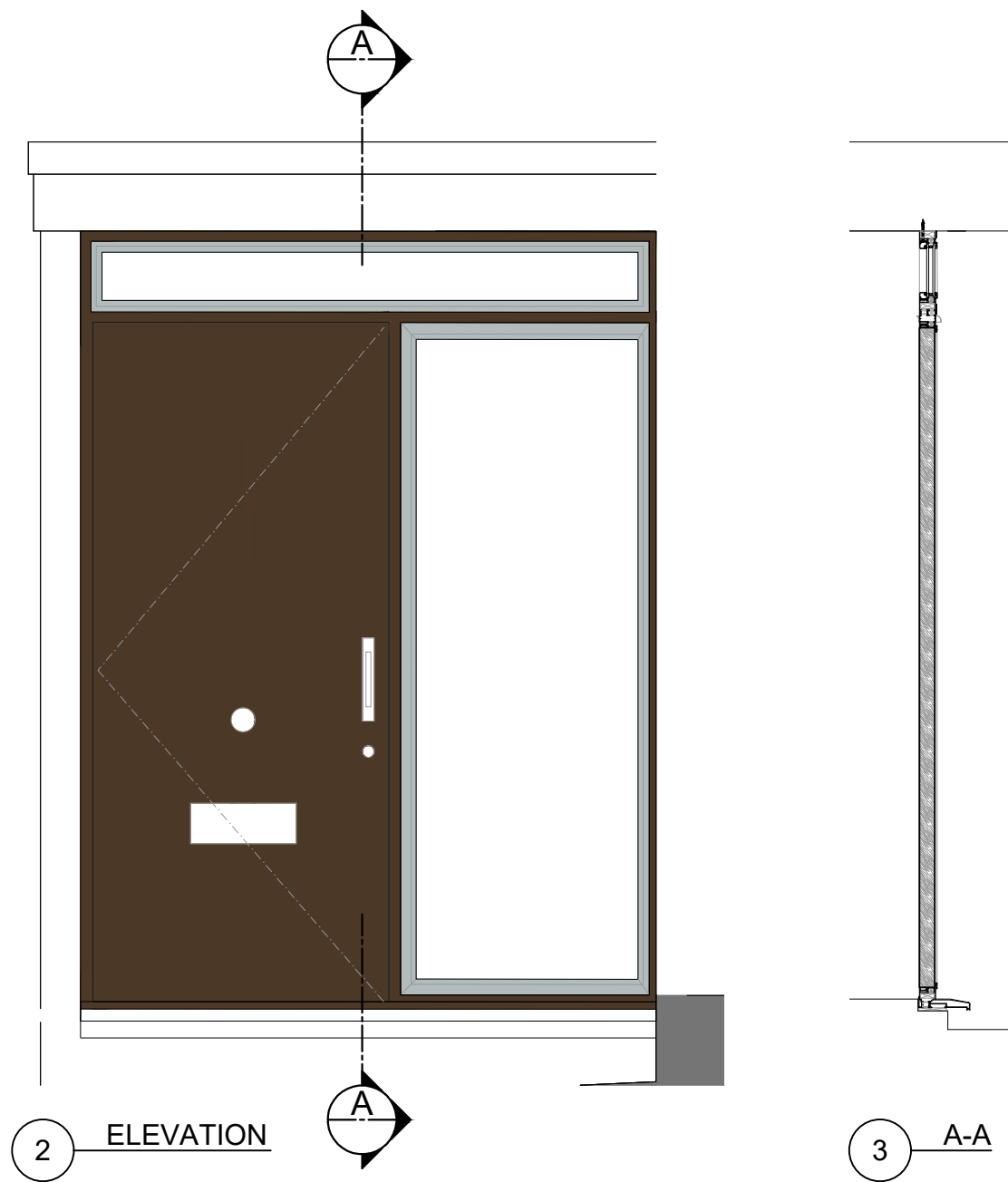
2 ELEVATION

3 A-A



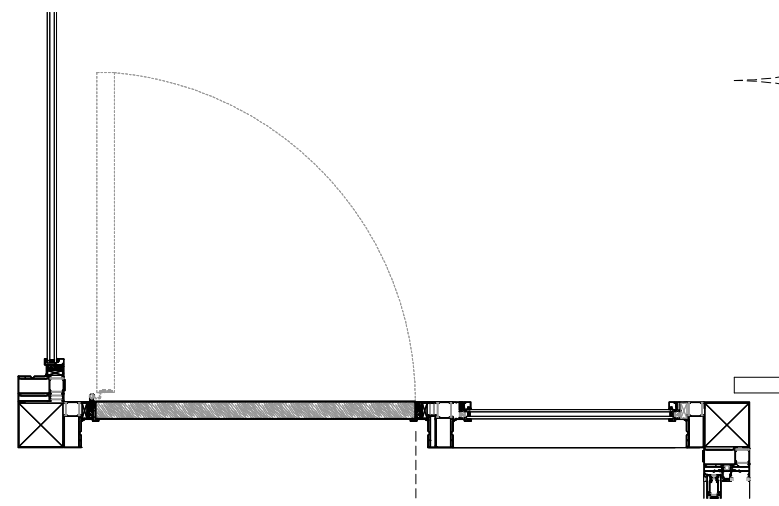
1 PLAN

EXISTING



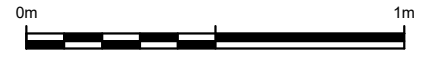
2 ELEVATION

3 A-A



1 PLAN

PROPOSED



P1	24.07.2023	WHL
* ISSUED FOR PLANNING APPROVAL		
rev	amendments	date by



T +44 (0) 7883 732373
W ipa-architects.com

Project
5 & 6 Oak Hill Park Mews
Hampstead
London
NW3 7LH

Drawing Title
EXISTING / PROPOSED
WINDOW & DOORS

G.D1

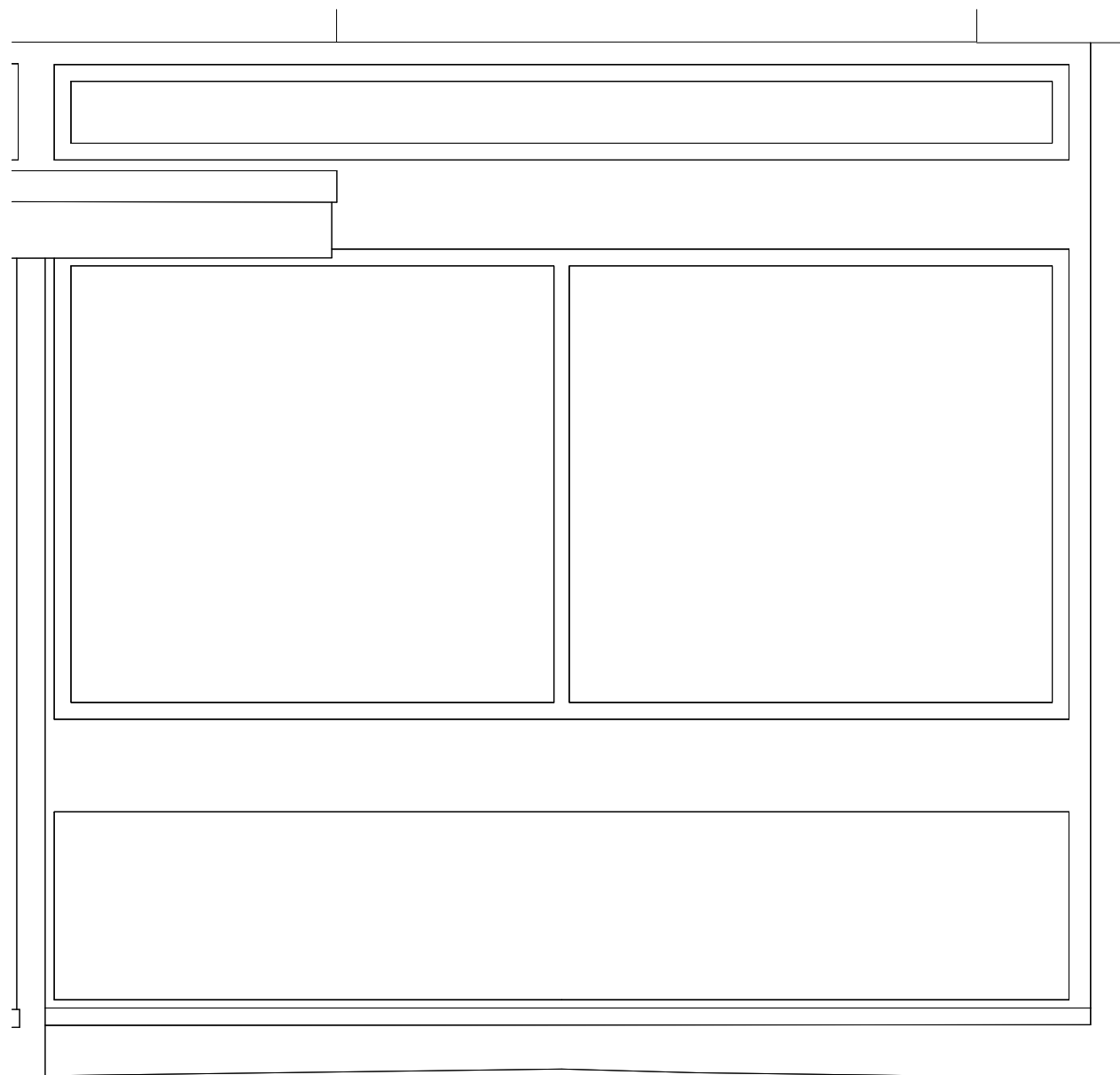
Drawing Status
PLANNING

Date 18.05.2023 Drawn by WHL

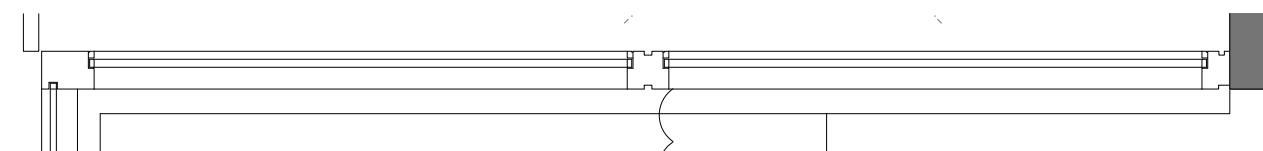
Scale A3 @ 1:20

Project No.	Ref.	Drawing No.	Rev
23052	SH	602	P1

Cad File
23052.SH.600 (WIN_DR)

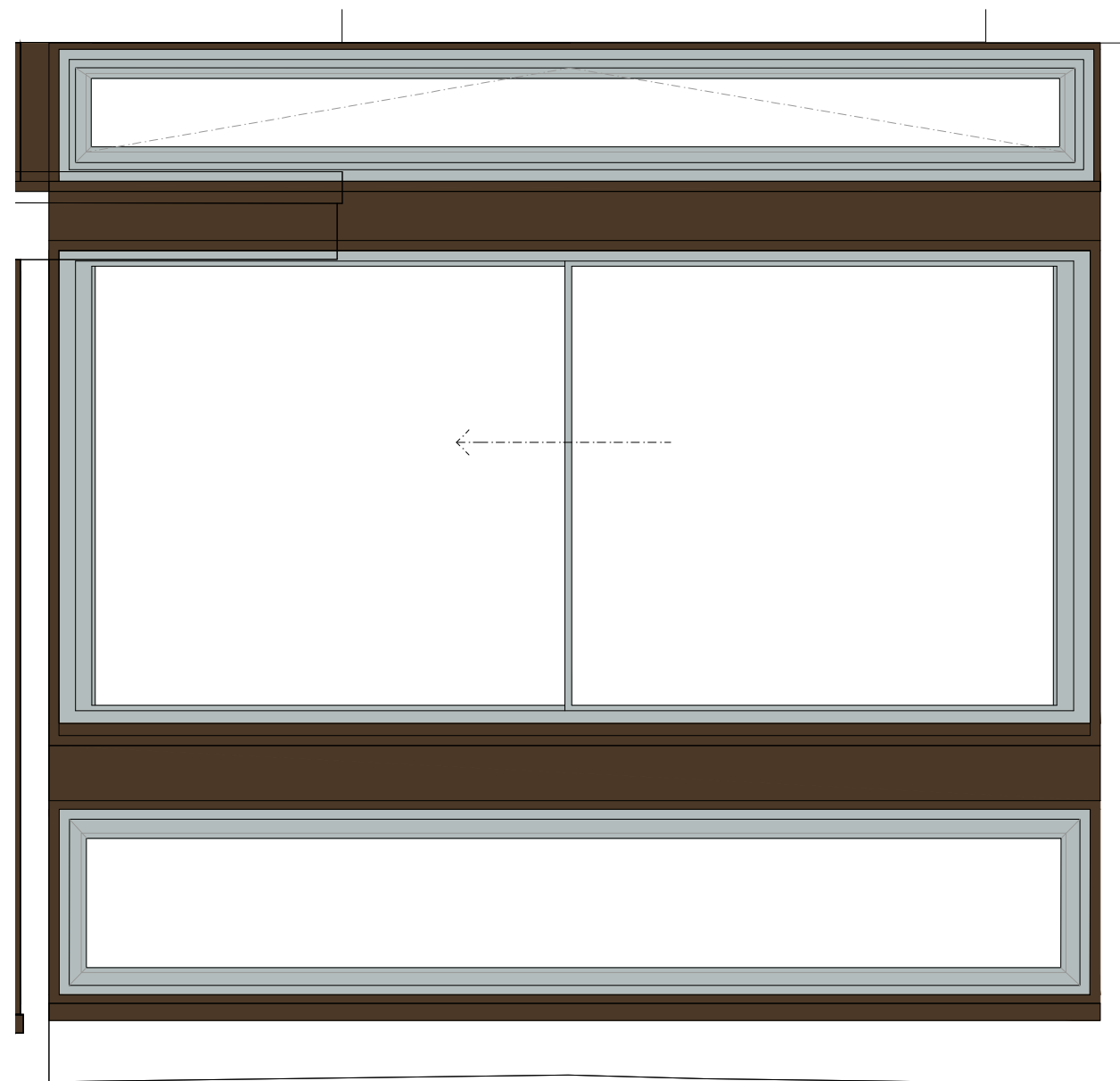


2 ELEVATION

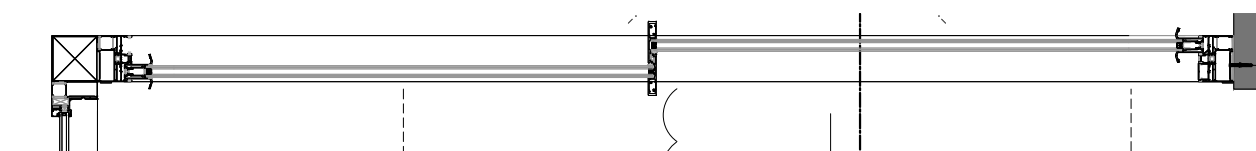


1 PLAN

EXISTING



2 ELEVATION



1 PLAN

PROPOSED



P1	24.07.2023	WHL
* ISSUED FOR PLANNING APPROVAL		
rev	amendments	date by



T +44 (0) 7883 732373
W ipa-architects.com

Project
5 & 6 Oak Hill Park Mews
Hampstead
London
NW3 7LH

Drawing Title
EXISTING / PROPOSED
WINDOW & DOORS

G.W2

Drawing Status
PLANNING

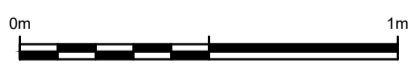
Date 18.05.2023 Drawn by WHL

Scale A3 @ 1:20

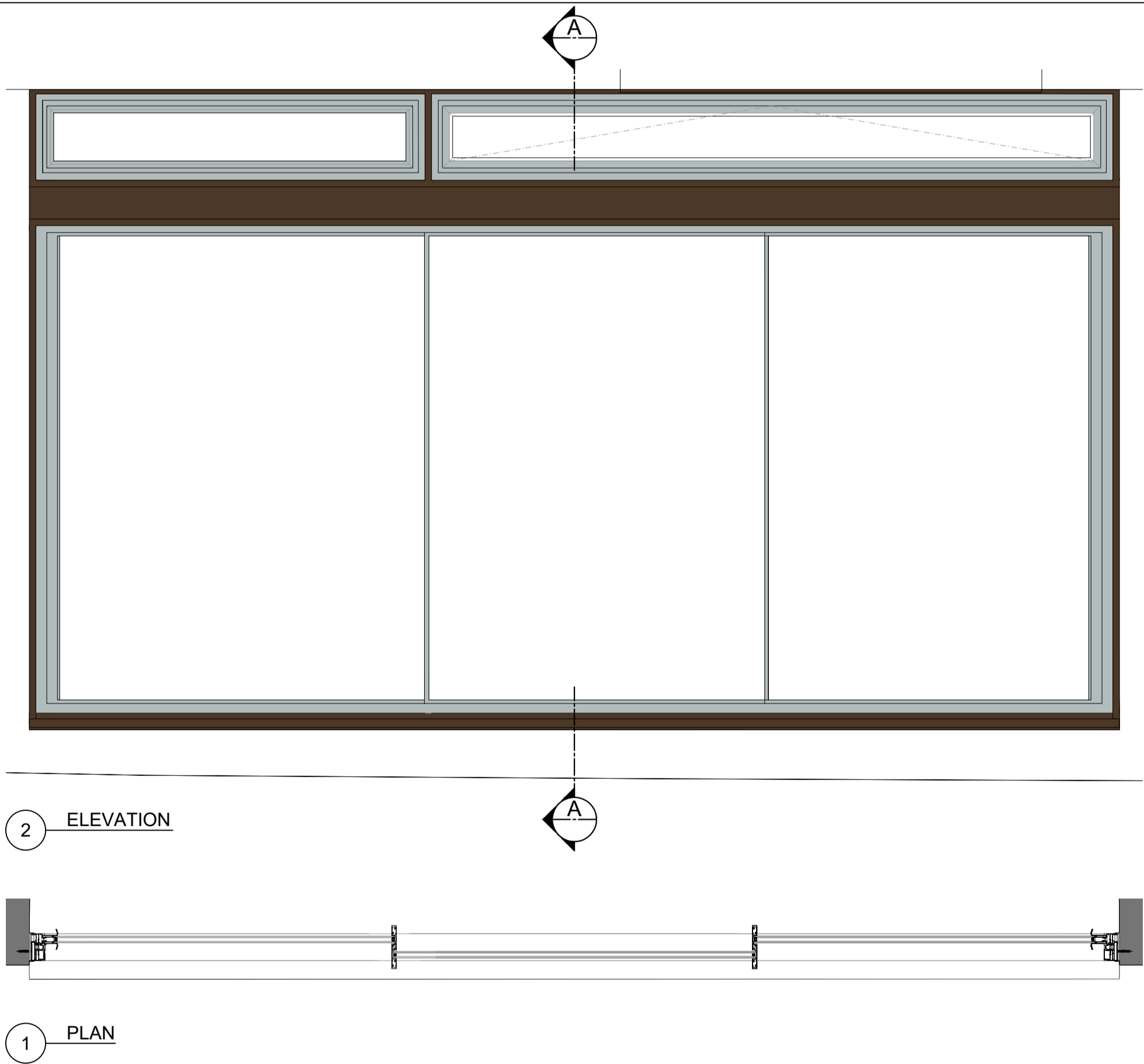
Project No.	Ref.	Drawing No.	Rev
23052	SH	603	P1

Cad File
23052.SH.600 (WIN_DR)

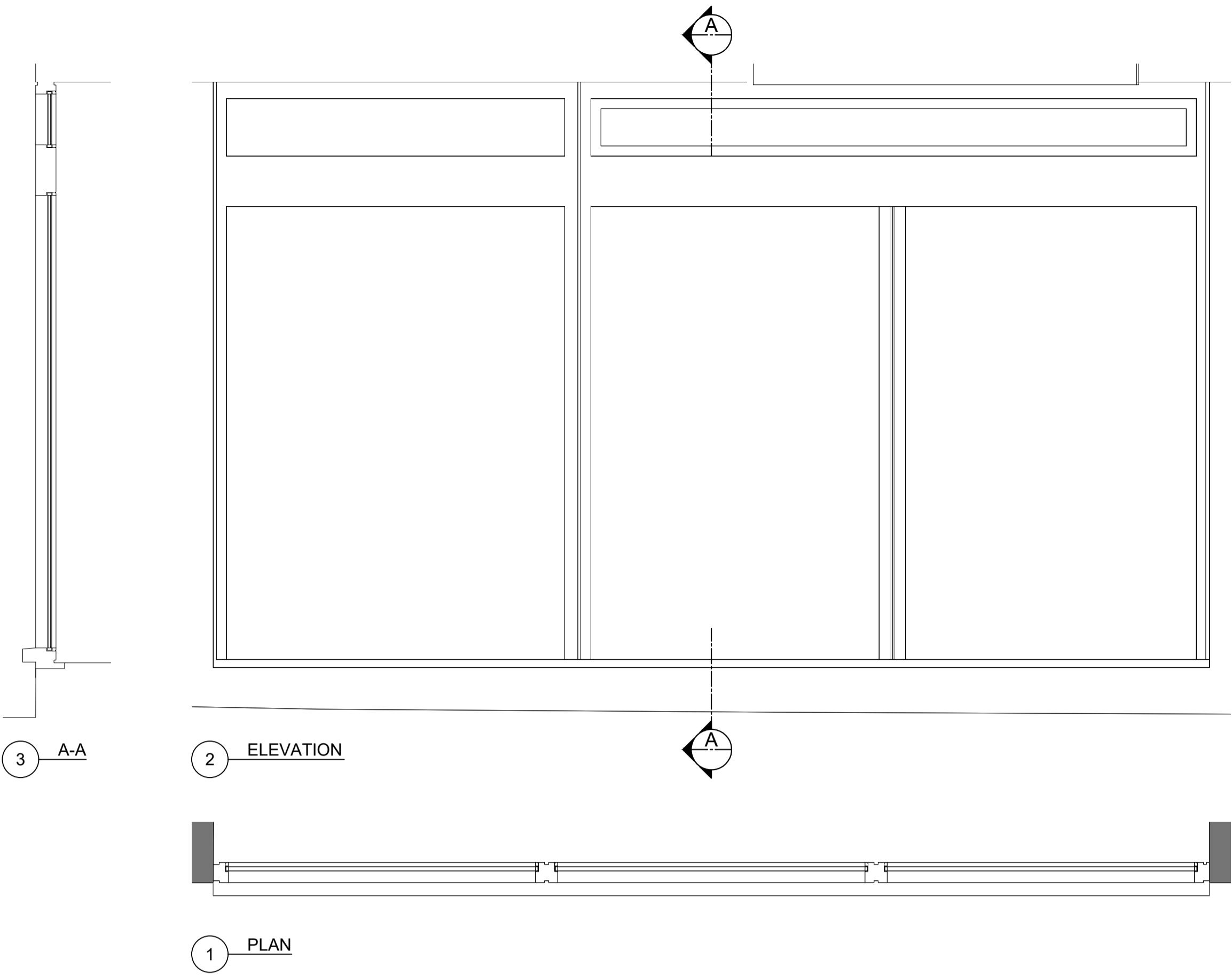
This drawing must not be reproduced without permission. Do not scale from drawing. Contractor to check all dimensions on site. Report discrepancies to the architect.



PROPOSED



EXISTING



G:W3

Drawing Status

PLANNING

Date 18.05.2023 Drawn by WHL

Scale	A2 @	1:20
Project No.	23052	SH
Ref.	604	P2
Drawing No.		
Rev		
Cad File	23052.SH.600 (WIN_DR)	

© IPA Architects. All rights reserved.

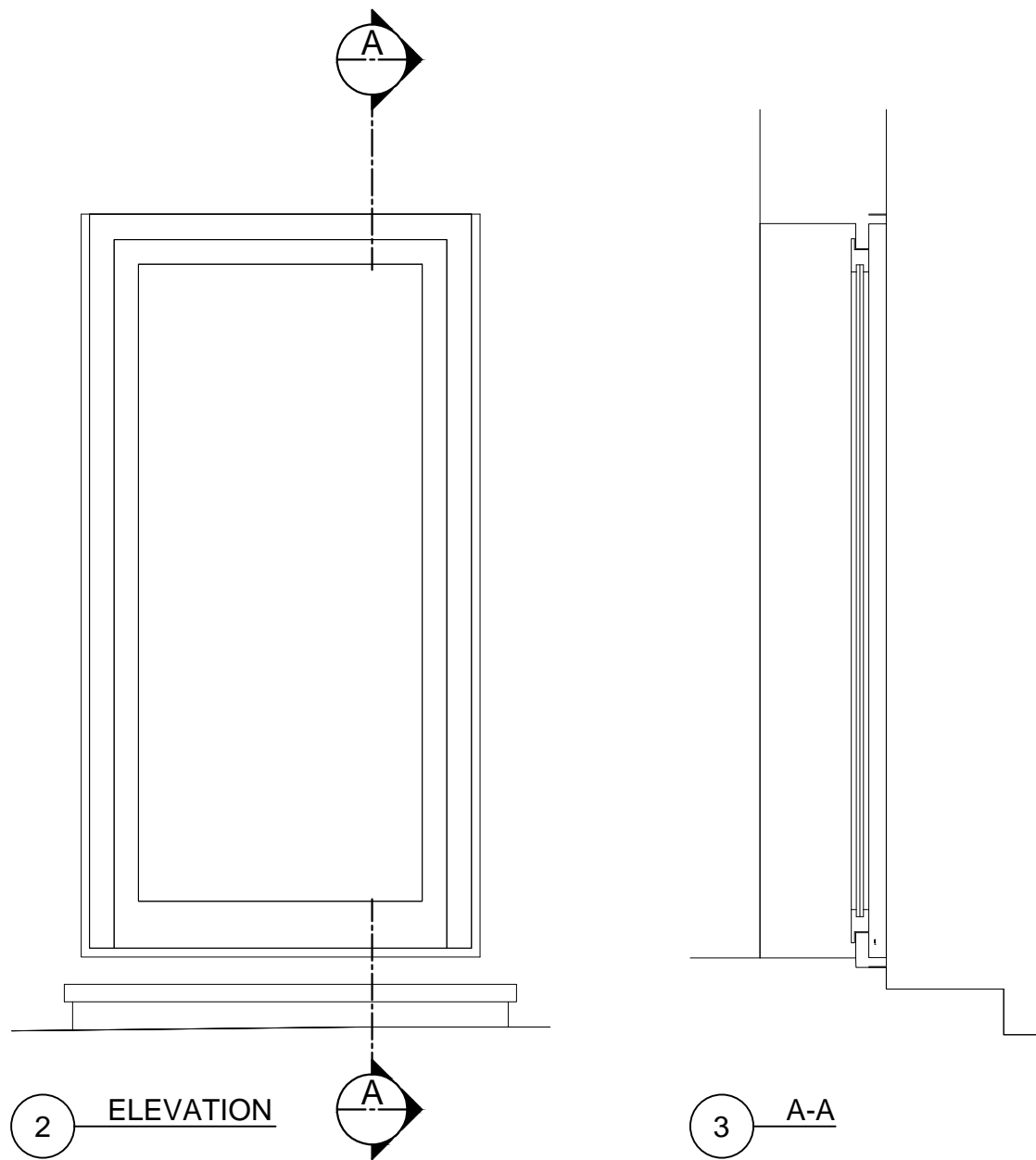
24.07.2023 WHL
 ISSUED FOR PLANNING APPROVAL
 by rev amendments date

T +44 (0) 7883 732373
 W ipa-architects.com

Project
 5 & 6 Oak Hill Park Mews
 Hampstead
 London
 NW3 7LH

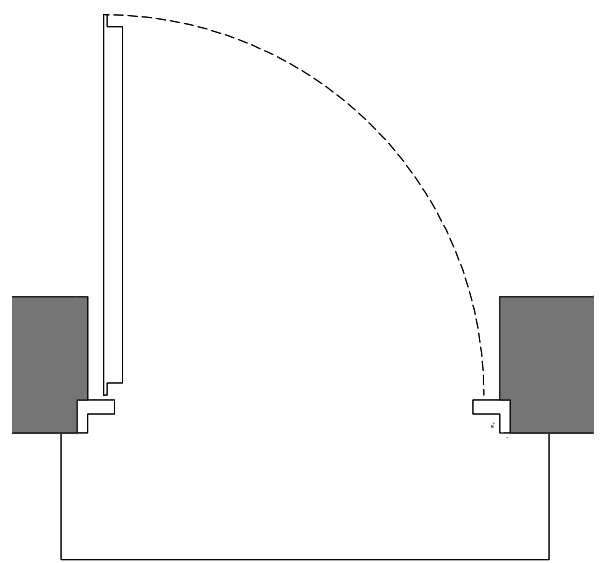
ipa architects

Drawing Title
**EXISTING / PROPOSED
 WINDOWS & DOORS**



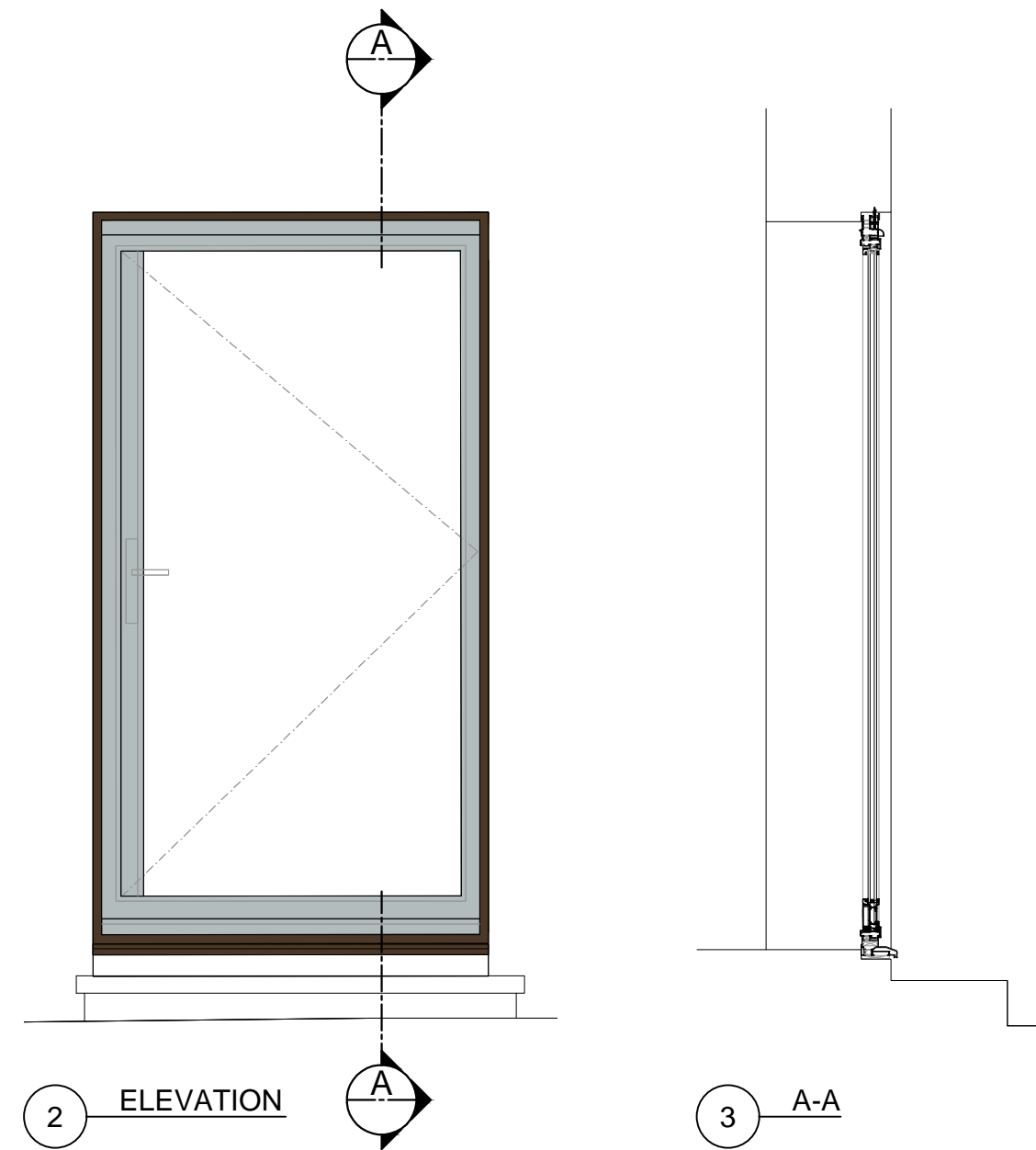
2 ELEVATION

3 A-A



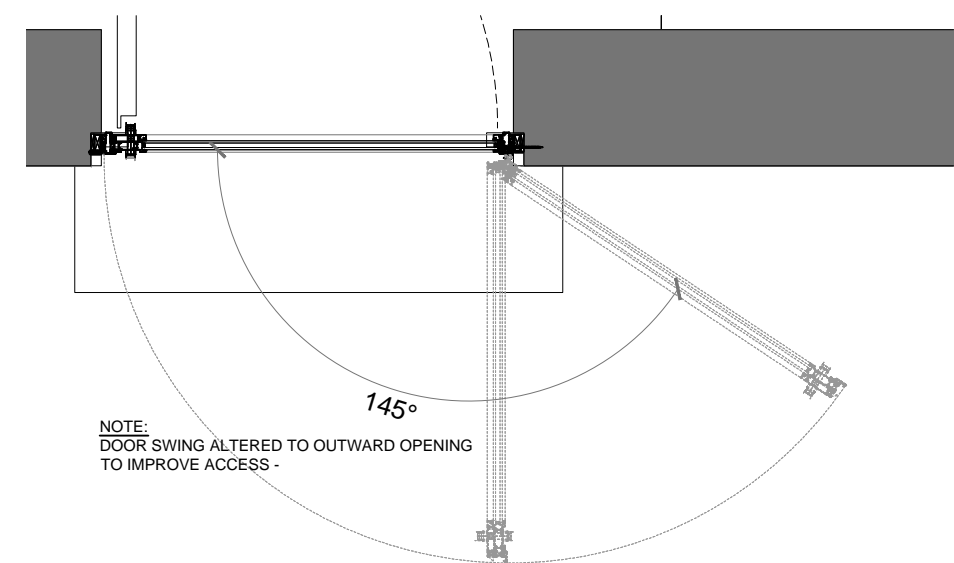
1 PLAN

EXISTING



2 ELEVATION

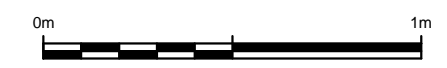
3 A-A



NOTE:
DOOR SWING ALTERED TO OUTWARD OPENING
TO IMPROVE ACCESS -

1 PLAN

PROPOSED



P2	08.03.2024RVW		
* Add note on door swing alteration.			
P1	24.07.2023 WHL		
* ISSUED FOR PLANNING APPROVAL			
rev	amendments	date	by



T +44 (0) 7833 732373
W ipa-architects.com

Project
5 & 6 Oak Hill Park Mews
Hampstead
London
NW3 7LH

Drawing Title
EXISTING / PROPOSED
WINDOW & DOORS

G.D2

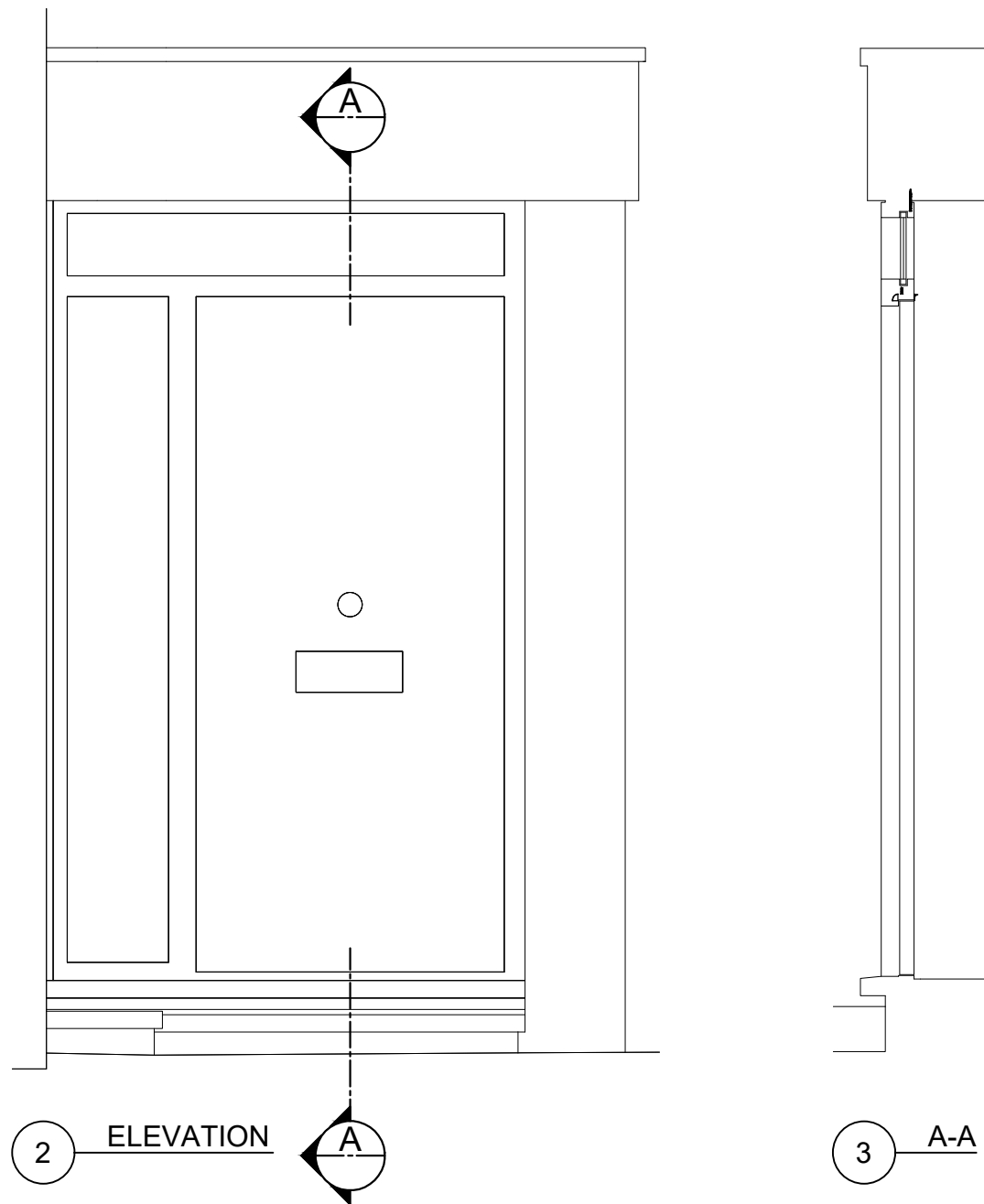
Drawing Status
PLANNING

Date 18.05.2023 Drawn by WHL

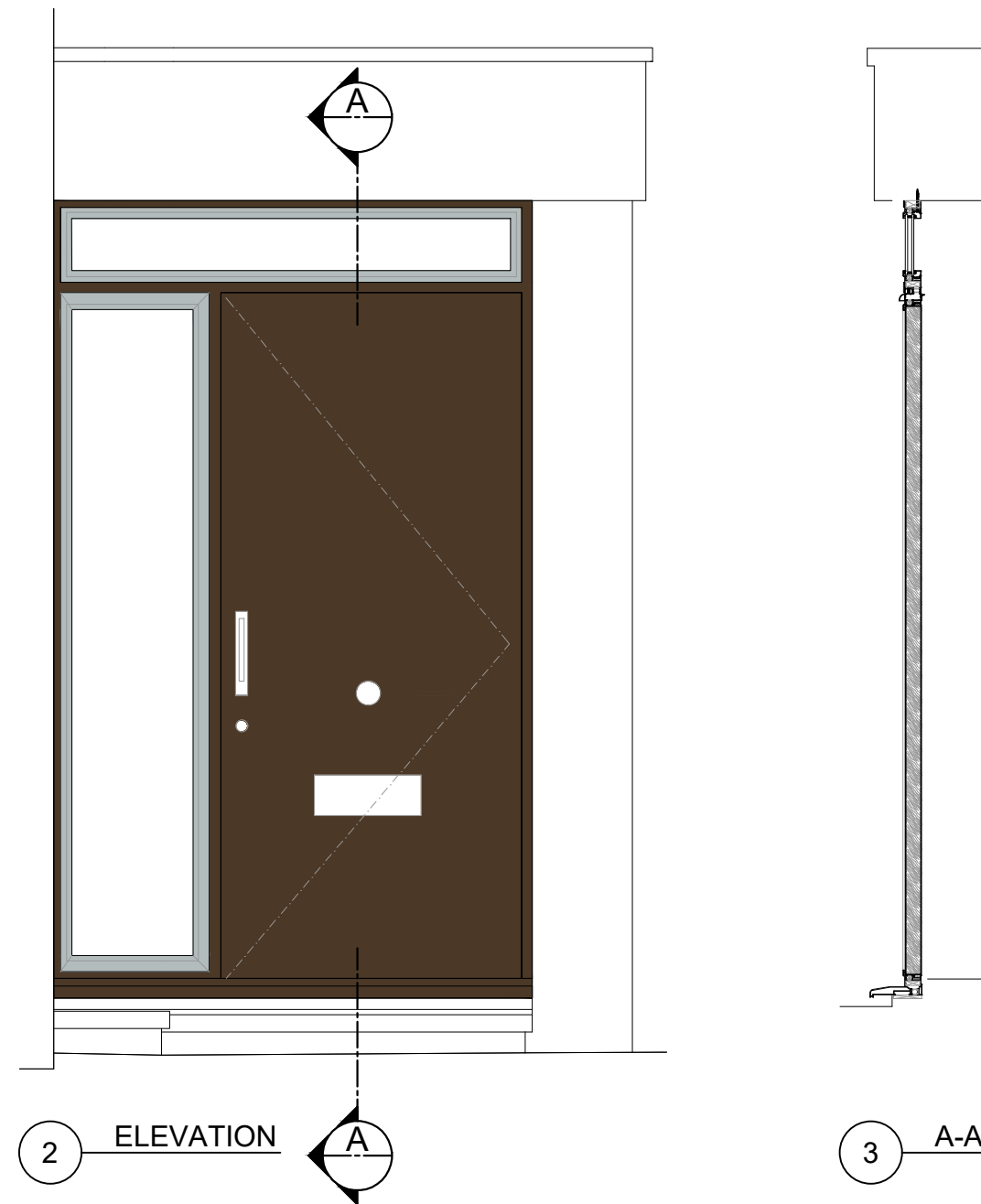
Scale
A3 @ 1:20

Project No.	Ref.	Drawing No.	Rev
23052	SH	605	P2

Cad File
23052.SH.600 (WIN_DR)



EXISTING



PROPOSED



P1	24.07.2023	WHL
* ISSUED FOR PLANNING APPROVAL		
rev	amendments	date by



T +44 (0) 7883 732373
W ipa-architects.com

Project
5 & 6 Oak Hill Park Mews
Hampstead
London
NW3 7LH

Drawing Title
EXISTING / PROPOSED
WINDOW & DOORS

G.D3

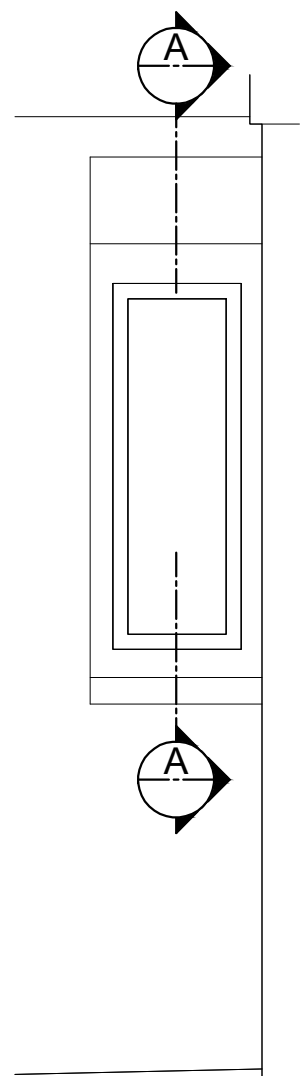
Drawing Status
PLANNING

Date 18.05.2023 Drawn by WHL

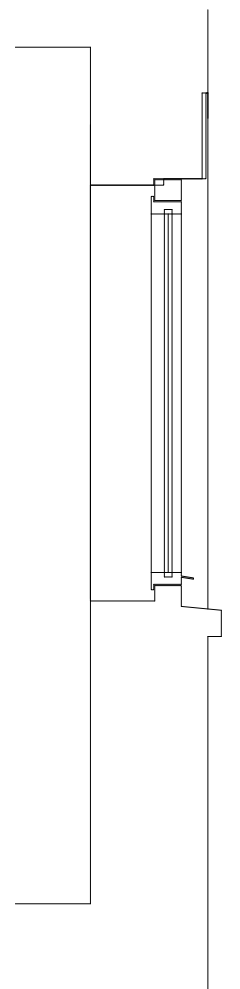
Scale
A3 @ 1:20

Project No.	Ref.	Drawing No.	Rev
23052	SH	606	P1

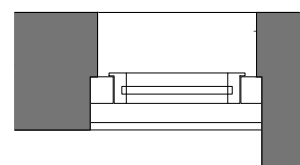
Cad File
23052.SH.600 (WIN_DR)



2 ELEVATION

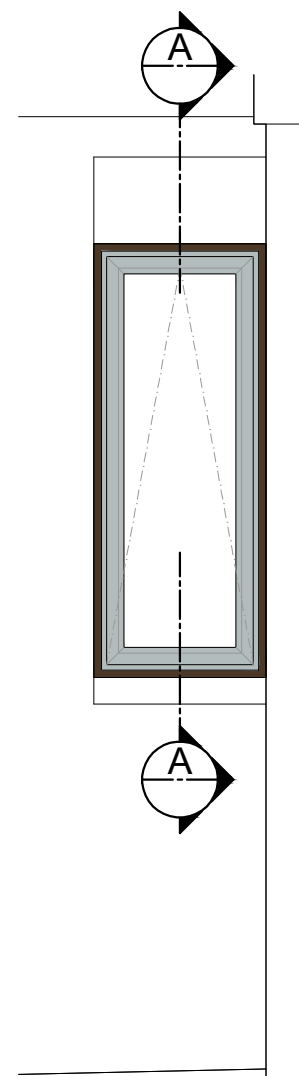


3 A-A

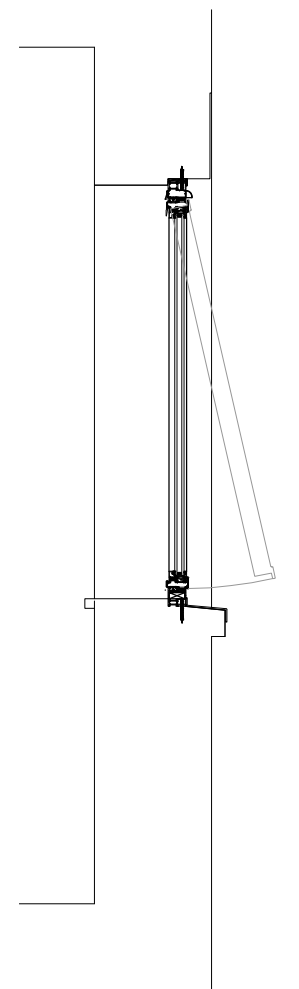


1 PLAN

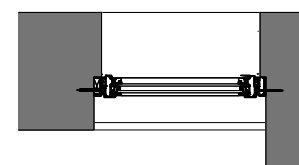
EXISTING



2 ELEVATION



3 A-A



1 PLAN

PROPOSED



P1	24.07.2023	WHL
* ISSUED FOR PLANNING APPROVAL		
rev	amendments	date by



T +44 (0) 7883 732373
W ipa-architects.com

Project
5 & 6 Oak Hill Park Mews
Hampstead
London
NW3 7LH

Drawing Title
EXISTING / PROPOSED
WINDOW & DOORS

G.W4

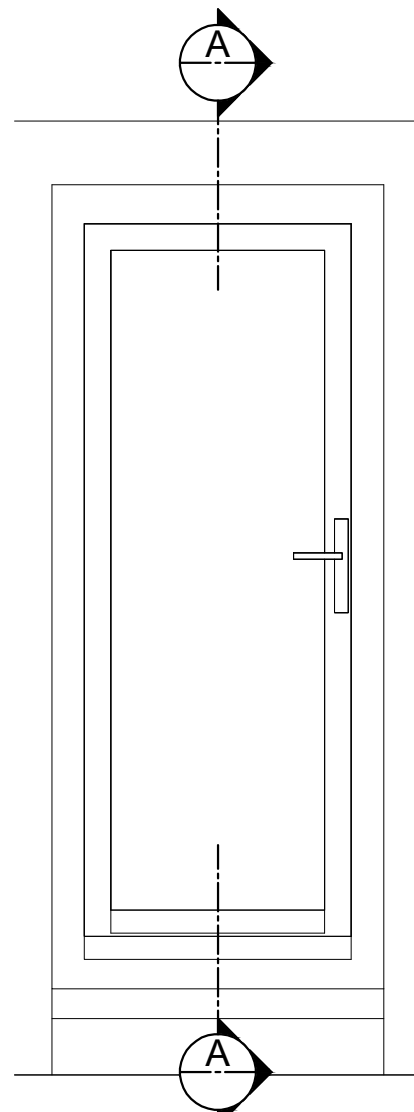
Drawing Status
PLANNING

Date 18.05.2023 Drawn by WHL

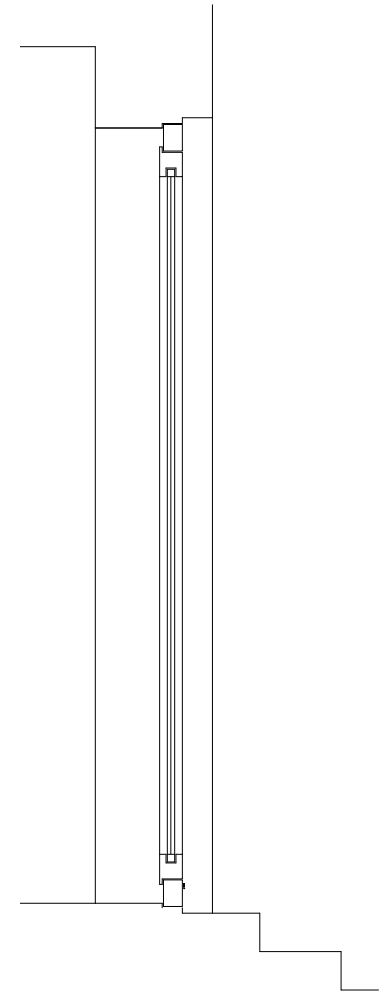
Scale
A3 @ 1:20

Project No.	Ref.	Drawing No.	Rev
23052	SH	607	P1

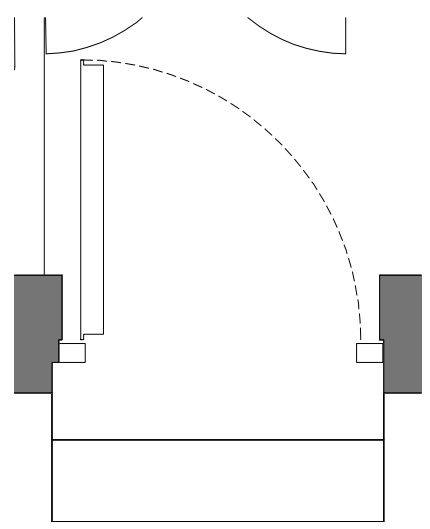
Cad File
23052.SH.600 (WIN_DR)



2 ELEVATION

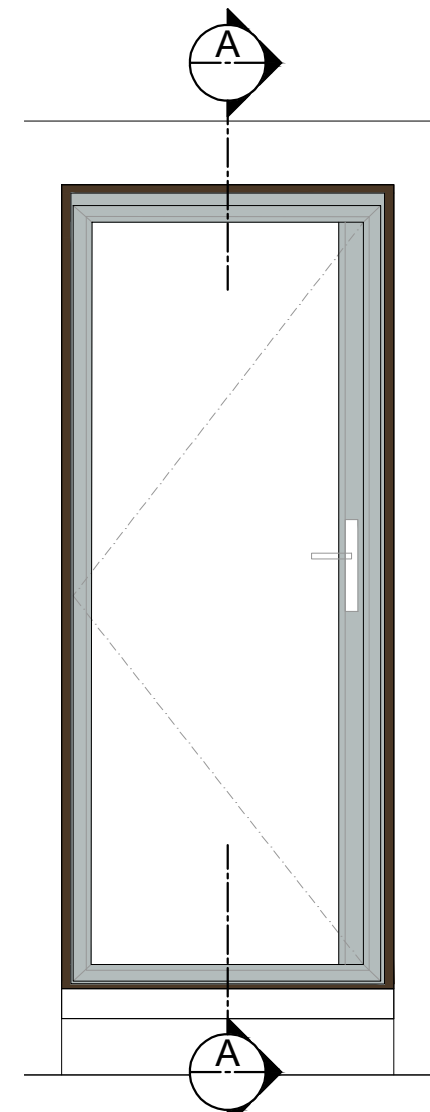


3 A-A

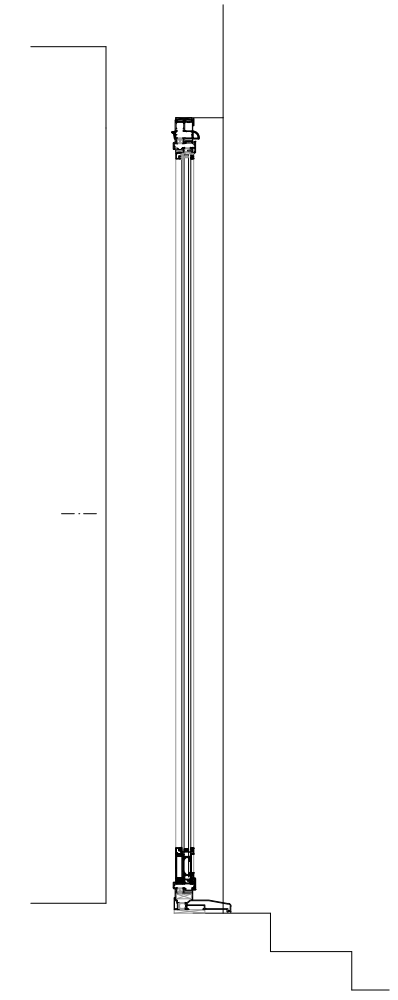


1 PLAN

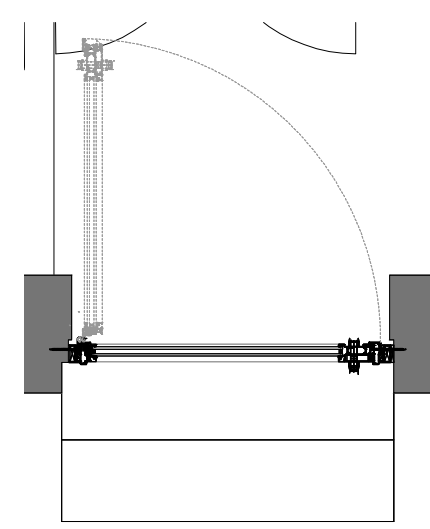
EXISTING



2 ELEVATION

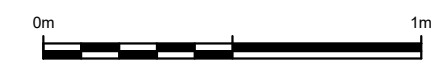


3 A-A



1 PLAN

PROPOSED



P1	24.07.2023	WHL
* ISSUED FOR PLANNING APPROVAL		
rev	amendments	date by



T +44 (0) 7883 732373
W ipa-architects.com

Project
5 & 6 Oak Hill Park Mews
Hampstead
London
NW3 7LH

Drawing Title
EXISTING / PROPOSED
WINDOW & DOORS

G.D4

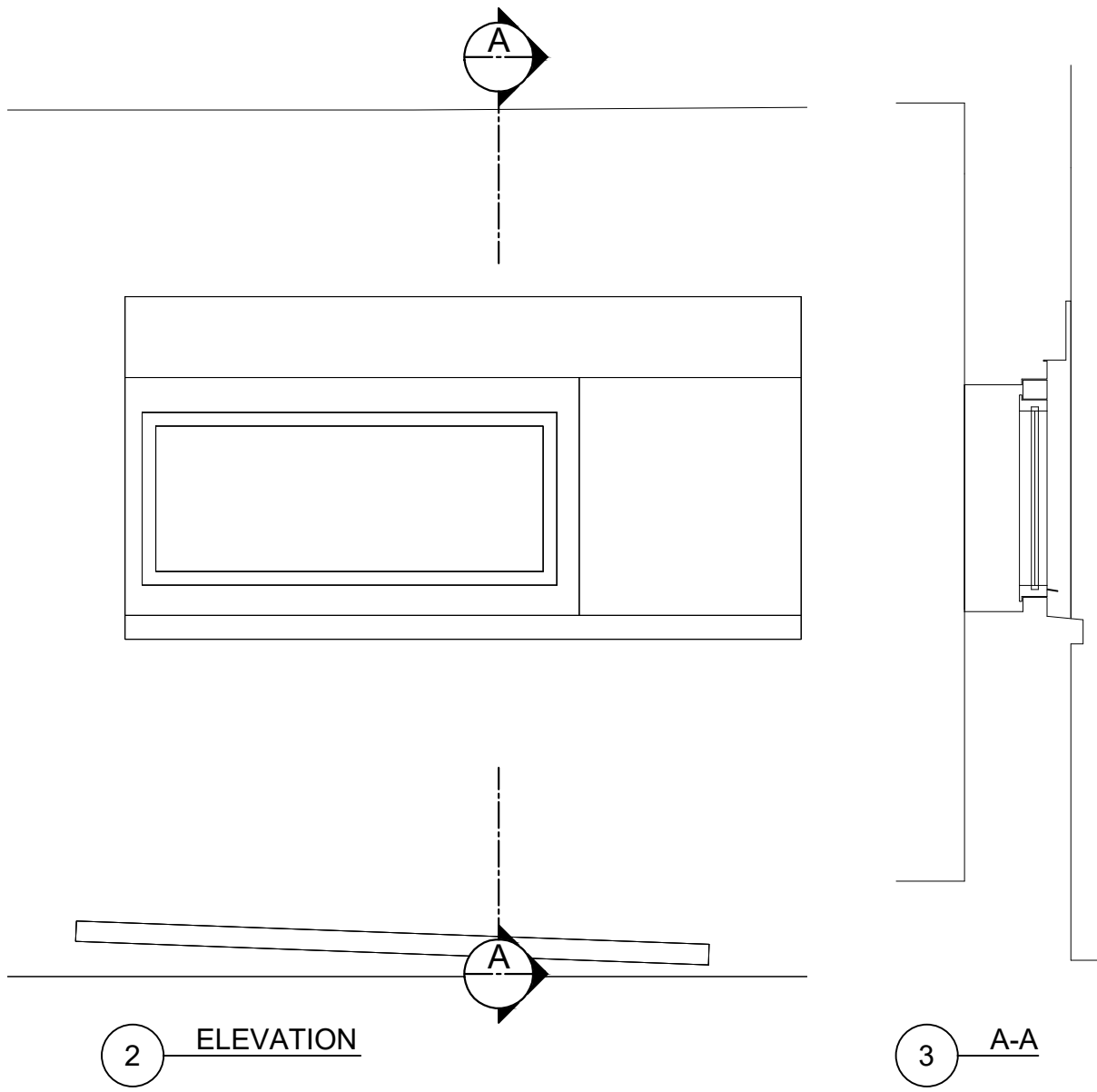
Drawing Status
PLANNING

Date 18.05.2023 Drawn by WHL

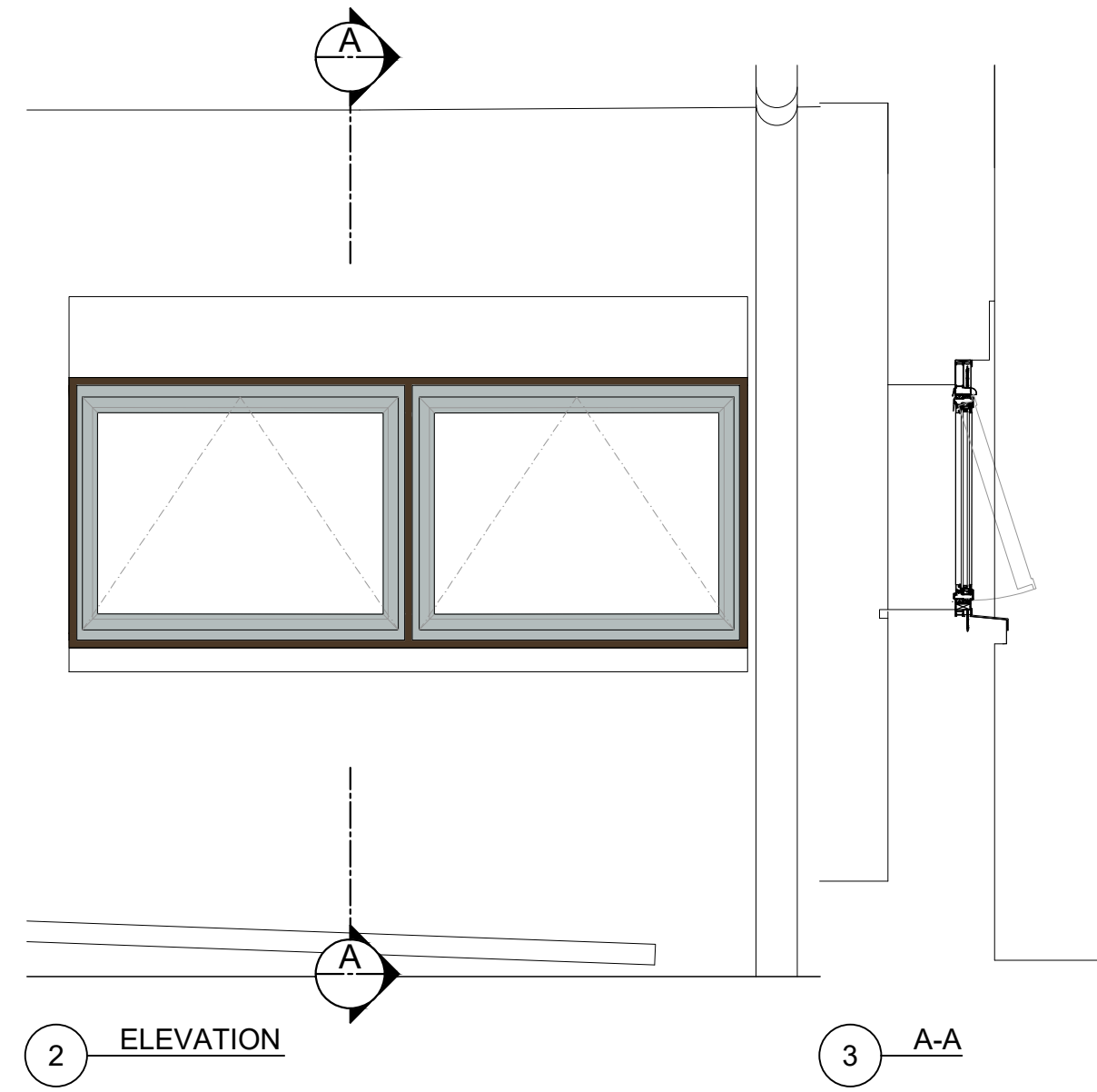
Scale A3 @ 1:20

Project No.	Ref.	Drawing No.	Rev
23052	SH	608	P1

Cad File
23052.SH.600 (WIN_DR)



EXISTING



PROPOSED



P1	24.07.2023	WHL
*ISSUED FOR PLANNING APPROVAL		
rev	amendments	date by



T +44 (0) 7883 732373
W ipa-architects.com

Project
5 & 6 Oak Hill Park Mews
Hampstead
London
NW3 7LH

Drawing Title
EXISTING / PROPOSED
WINDOW & DOORS

G.D5

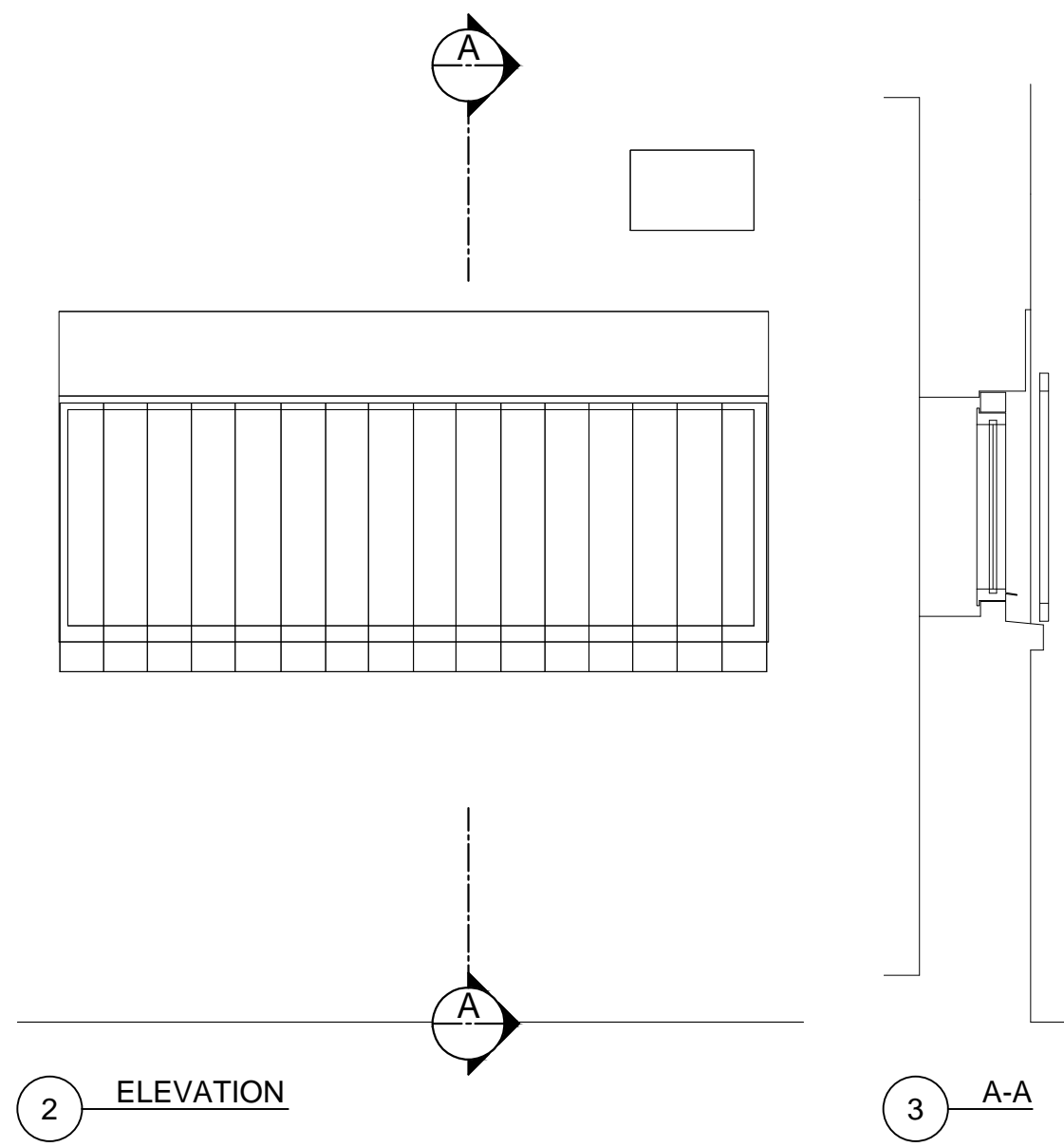
Drawing Status
PLANNING

Date 18.05.2023 Drawn by WHL

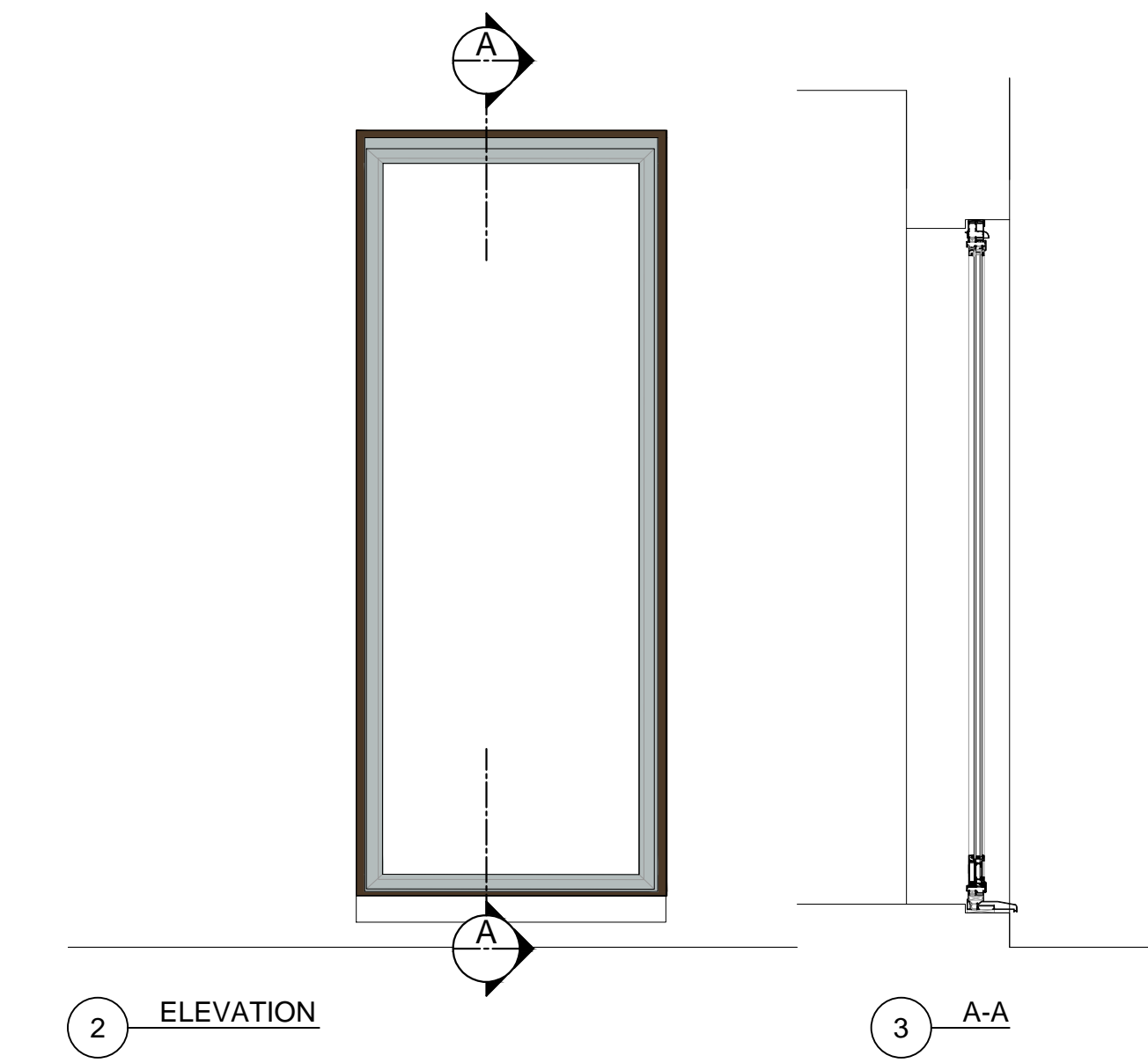
Scale
A3 @ 1:20

Project No.	Ref.	Drawing No.	Rev
23052	SH	609	P1

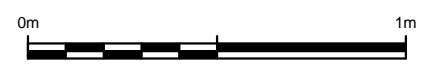
Cad File
23052.SH.600 (WIN_DR)



EXISTING



PROPOSED



P2	11.03.2024	RVW
* Update G.W5		
P1	24.07.2023	WHL
* ISSUED FOR PLANNING APPROVAL		
rev	amendments	date by



T +44 (0) 7833 732373
 W ipa-architects.com

Project
 5 & 6 Oak Hill Park Mews
 Hampstead
 London
 NW3 7LH

Drawing Title
 EXISTING / PROPOSED
 WINDOW & DOORS

G.W5

Drawing Status
PLANNING

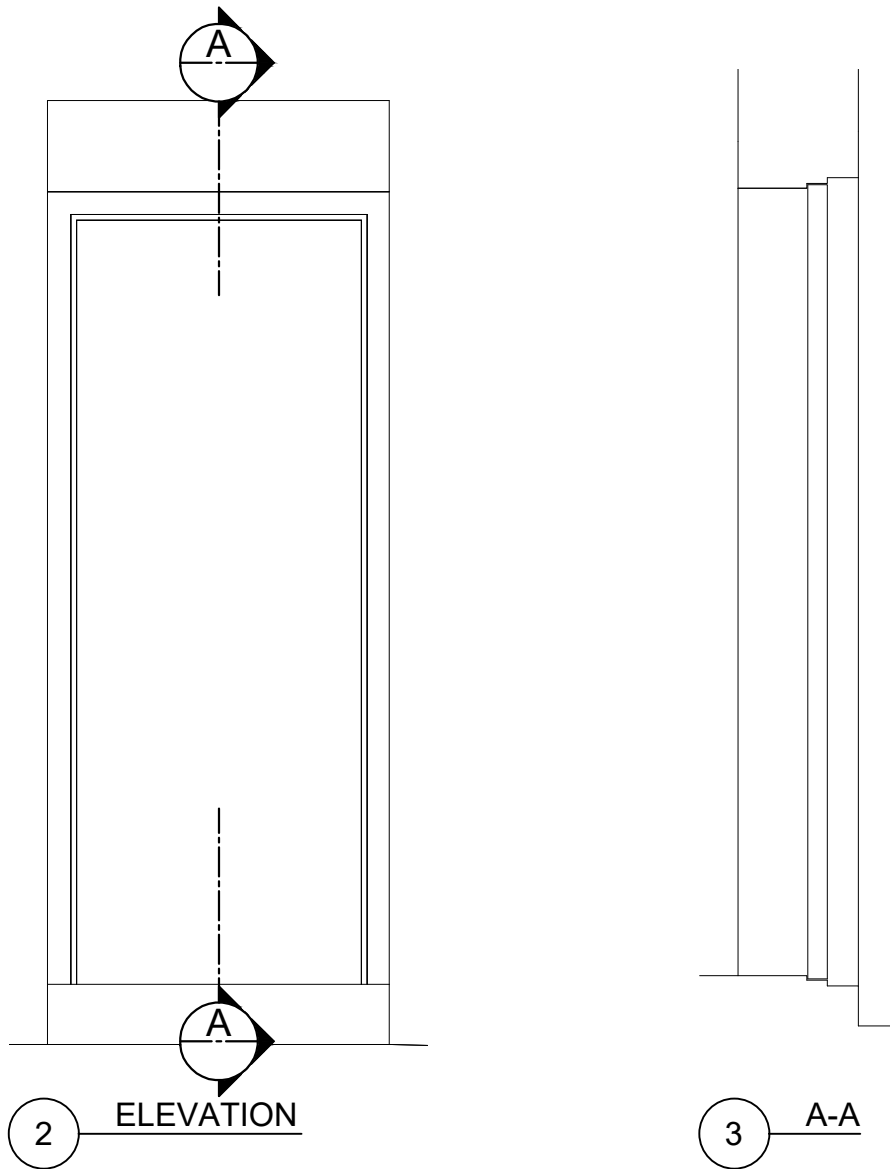
Date 18.05.2023 Drawn by WHL

Scale A3 @ 1:20

Project No.	Ref.	Drawing No.	Rev
23052	SH	610	P2

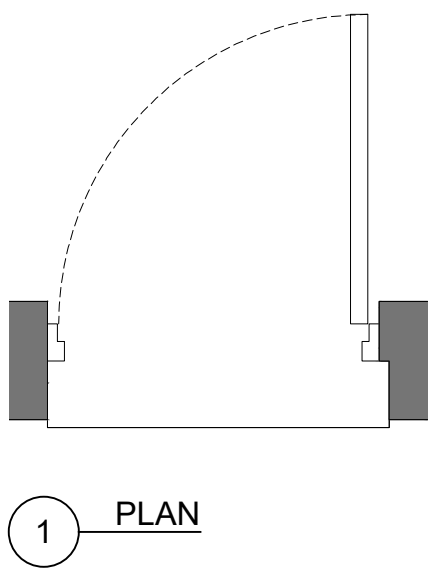
Cad File
 23052.SH.600 (WIN_DR)

This drawing must not be reproduced without permission.
Do not scale from drawing.
Contractor to check all dimensions on site.
Report discrepancies to the architect.



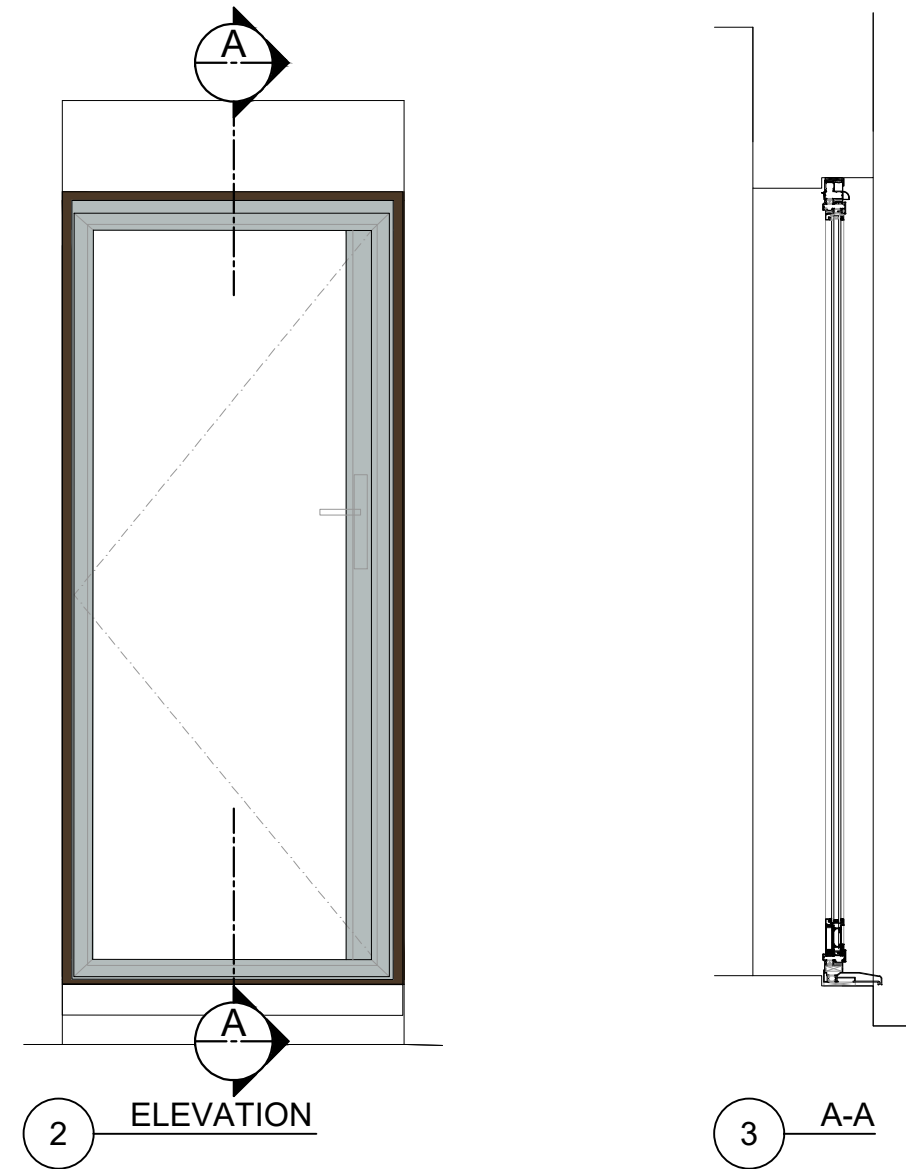
2 ELEVATION

3 A-A



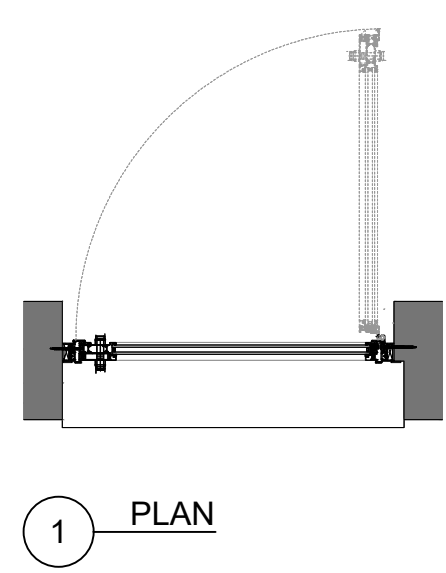
1 PLAN

EXISTING



2 ELEVATION

3 A-A



1 PLAN

PROPOSED



P1	24.07.2023	WHL
* ISSUED FOR PLANNING APPROVAL		
rev	amendments	date by



T +44 (0) 7883 732373
W ipa-architects.com

Project
5 & 6 Oak Hill Park Mews
Hampstead
London
NW3 7LH

Drawing Title
EXISTING / PROPOSED
WINDOW & DOORS

G.D6

Drawing Status
PLANNING

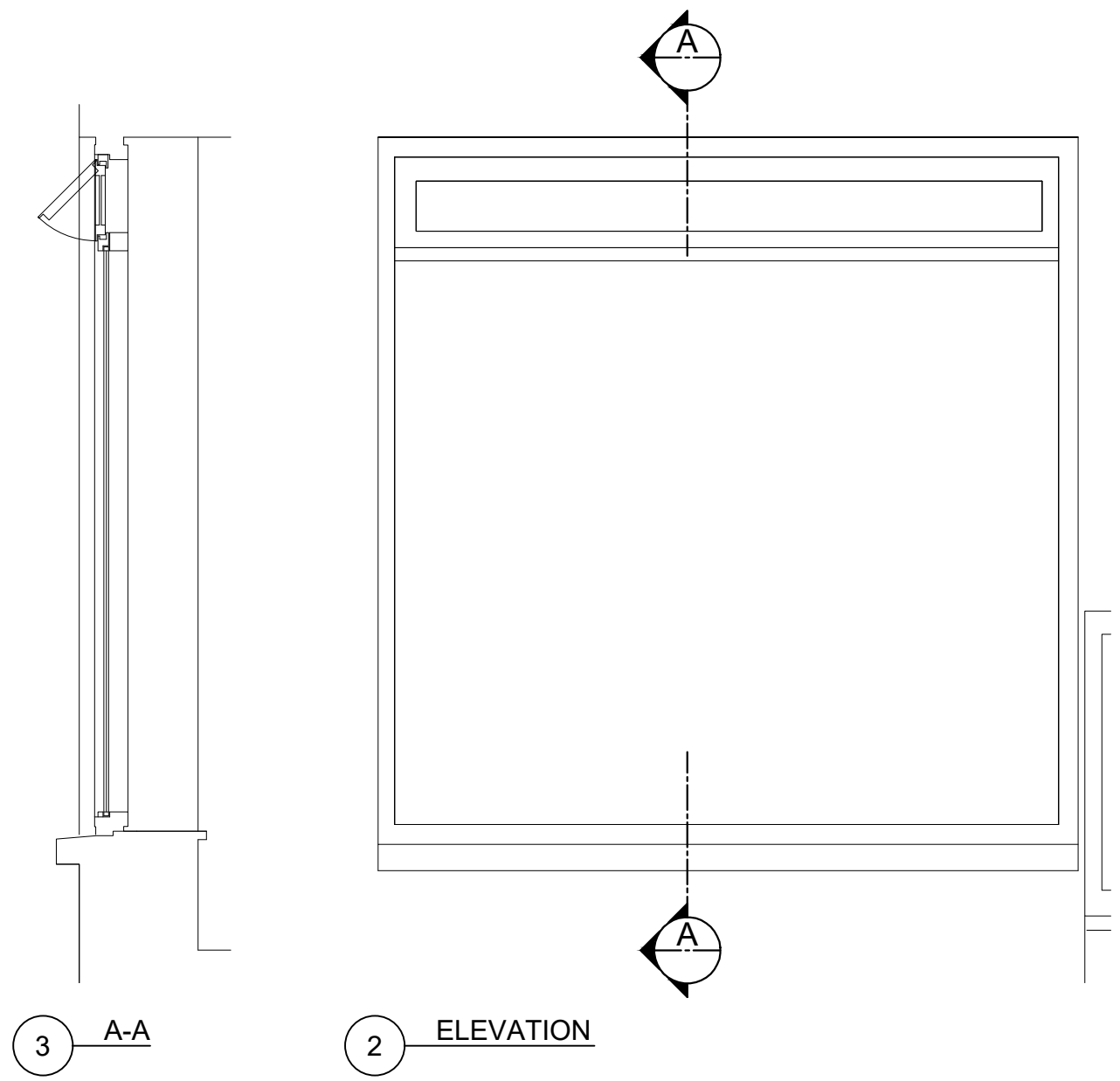
Date 18.05.2023 Drawn by WHL

Scale
A3 @ 1:20

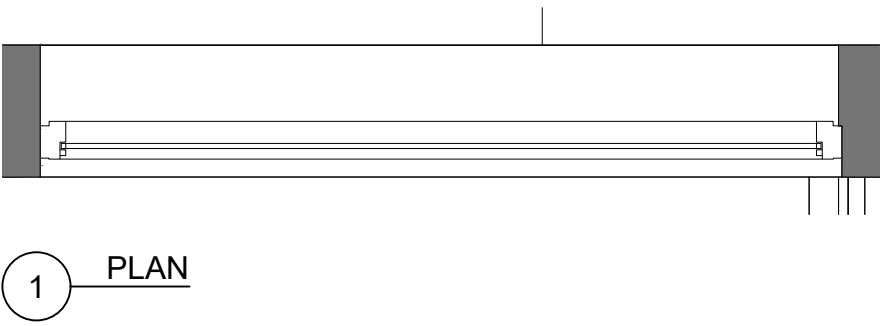
Project No.	Ref.	Drawing No.	Rev
23052	SH	611	P1

Cad File
23052.SH.600 (WIN_DR)

© IPA Architects: All rights reserved.

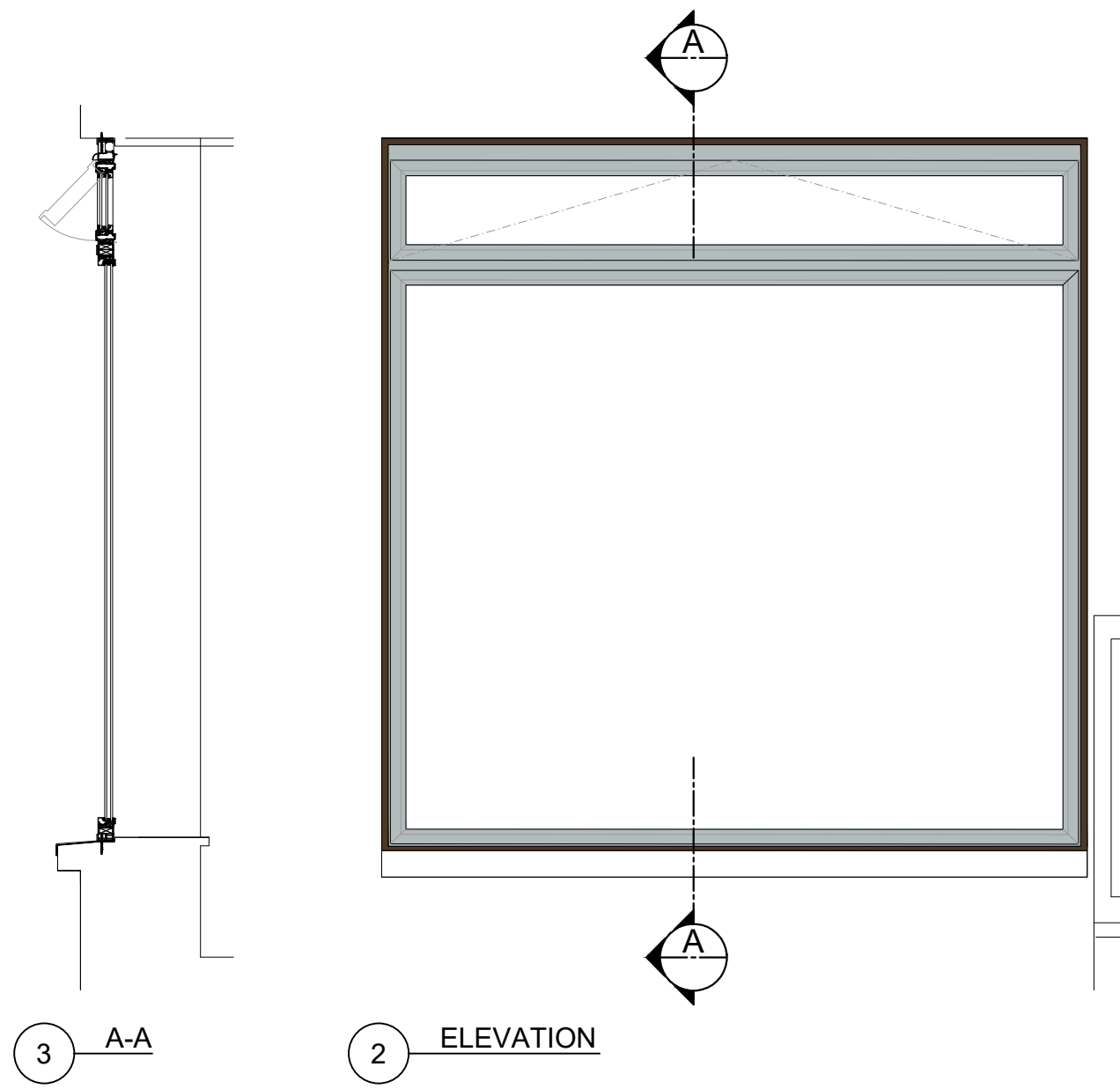


3 A-A
2 ELEVATION



1 PLAN

EXISTING



3 A-A
2 ELEVATION



1 PLAN

PROPOSED



P1	24.07.2023	WHL
* ISSUED FOR PLANNING APPROVAL		
rev	amendments	date by



T +44 (0) 7883 732373
W ipa-architects.com

Project
5 & 6 Oak Hill Park Mews
Hampstead
London
NW3 7LH

Drawing Title
EXISTING / PROPOSED
WINDOW & DOORS

1.W1 & 1.W2

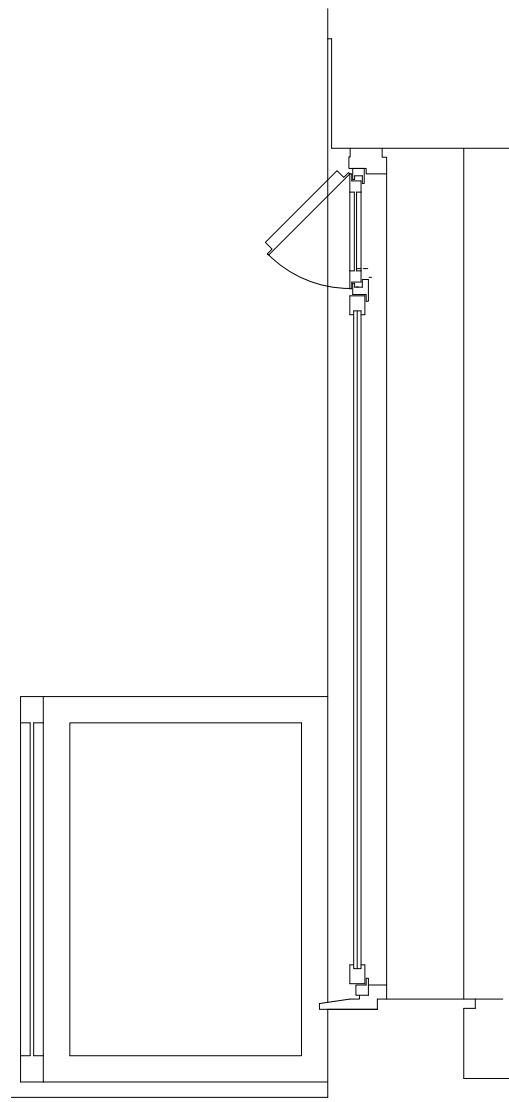
Drawing Status
PLANNING

Date 18.05.2023 Drawn by WHL

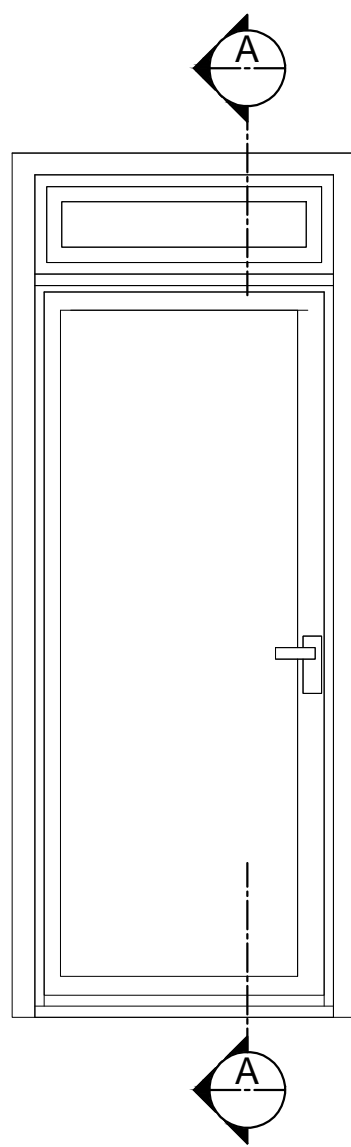
Scale
A3 @ 1:20

Project No.	Ref.	Drawing No.	Rev
23052	SH	612	P1

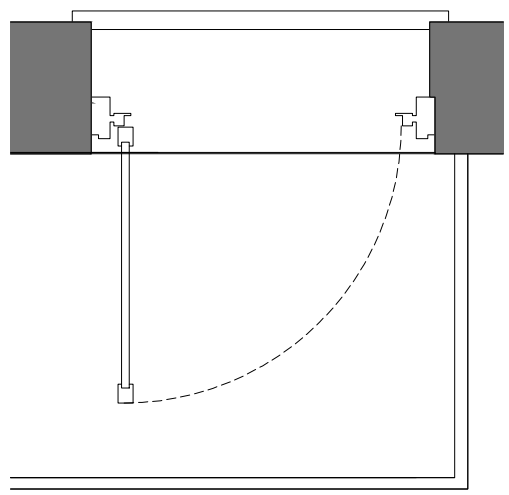
Cad File
23052.SH.600 (WIN_DR)



3 A-A

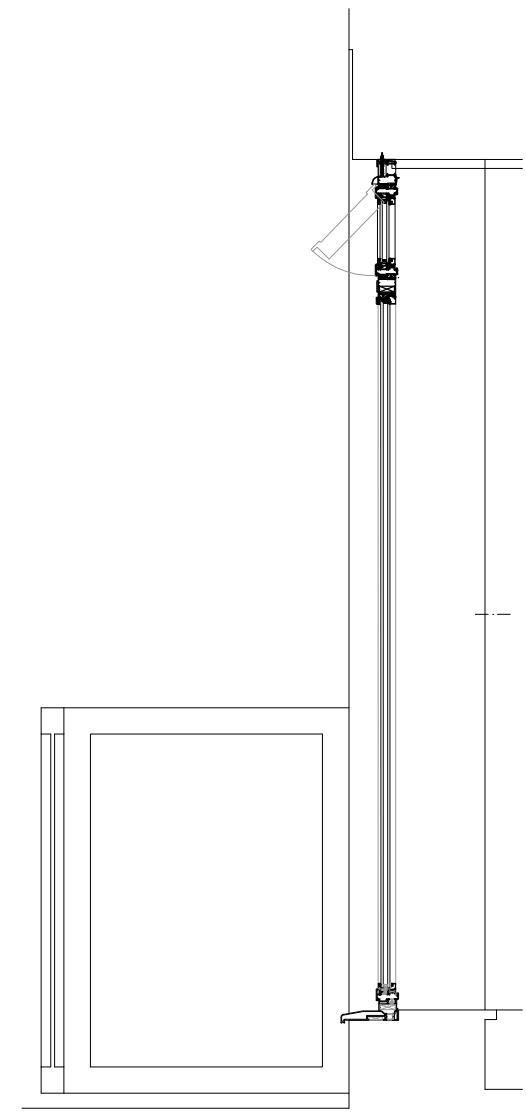


2 ELEVATION

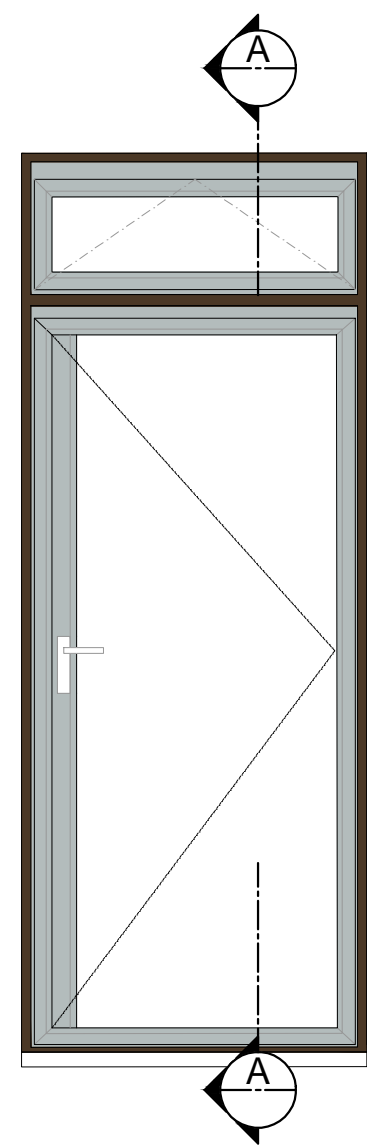


1 PLAN

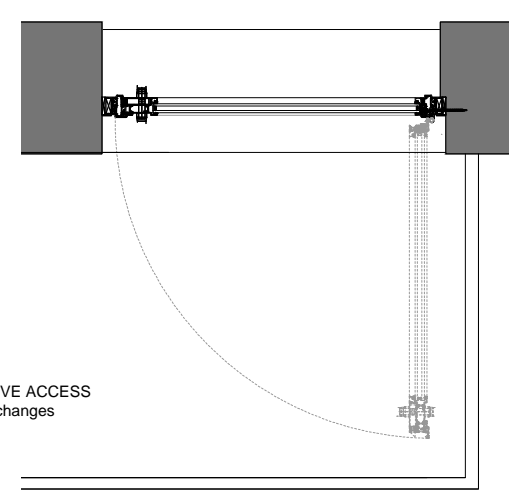
EXISTING



3 A-A



2 ELEVATION



1 PLAN

PROPOSED

NOTE:
DOOR SWING MIRRORED TO IMPROVE ACCESS
- opening becomes wider due to hinge changes



P2	08.03.2024RVW		
* Add note on door swing alteration.			
P1	24.07.2023 WHL		
* ISSUED FOR PLANNING APPROVAL			
rev	amendments	date	by



T +44 (0) 7833 732373
W ipa-architects.com

Project
5 & 6 Oak Hill Park Mews
Hampstead
London
NW3 7LH

Drawing Title
EXISTING / PROPOSED
WINDOW & DOORS

1.D1 & 1.D2

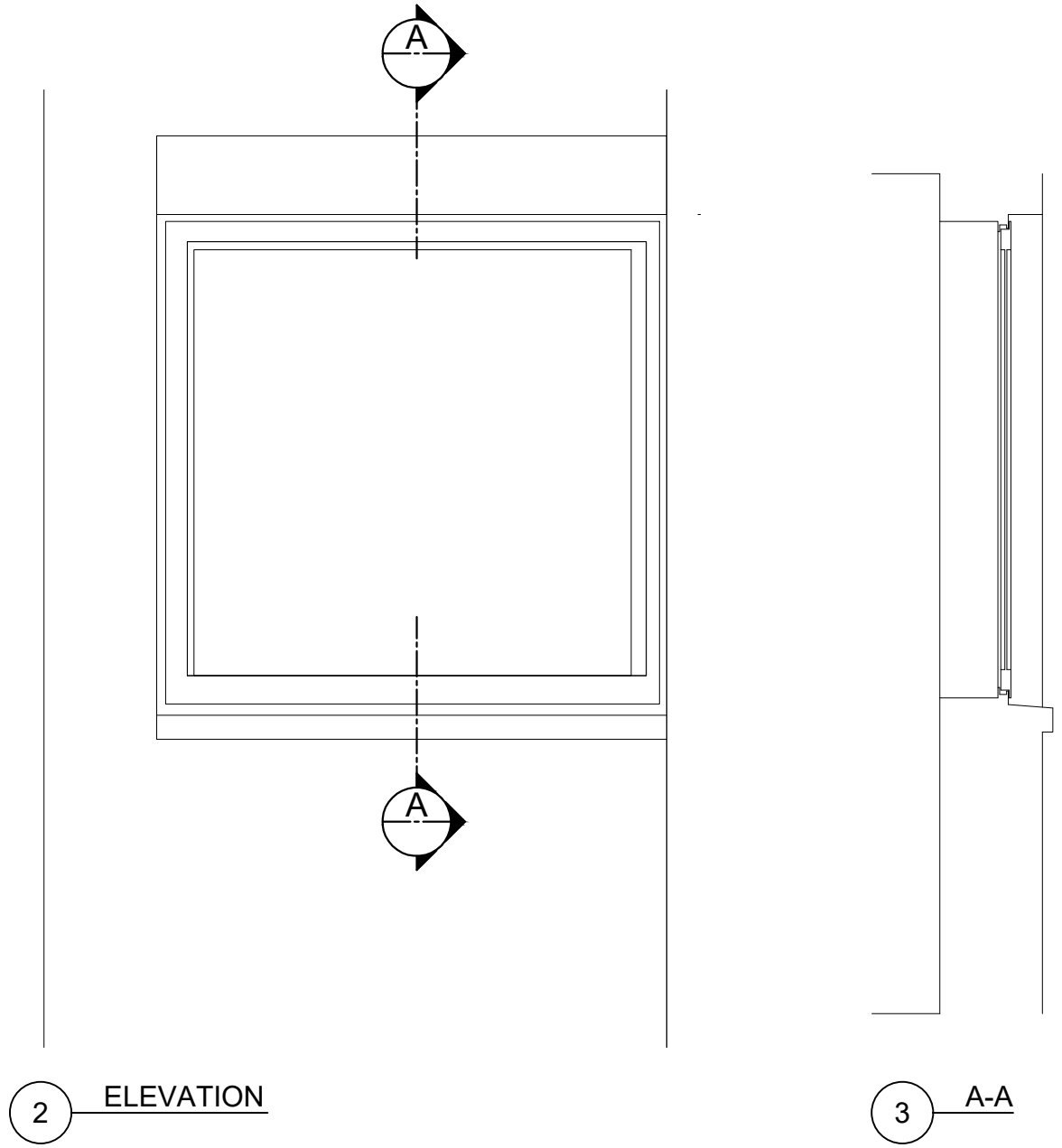
Drawing Status
PLANNING

Date 18.05.2023 Drawn by WHL

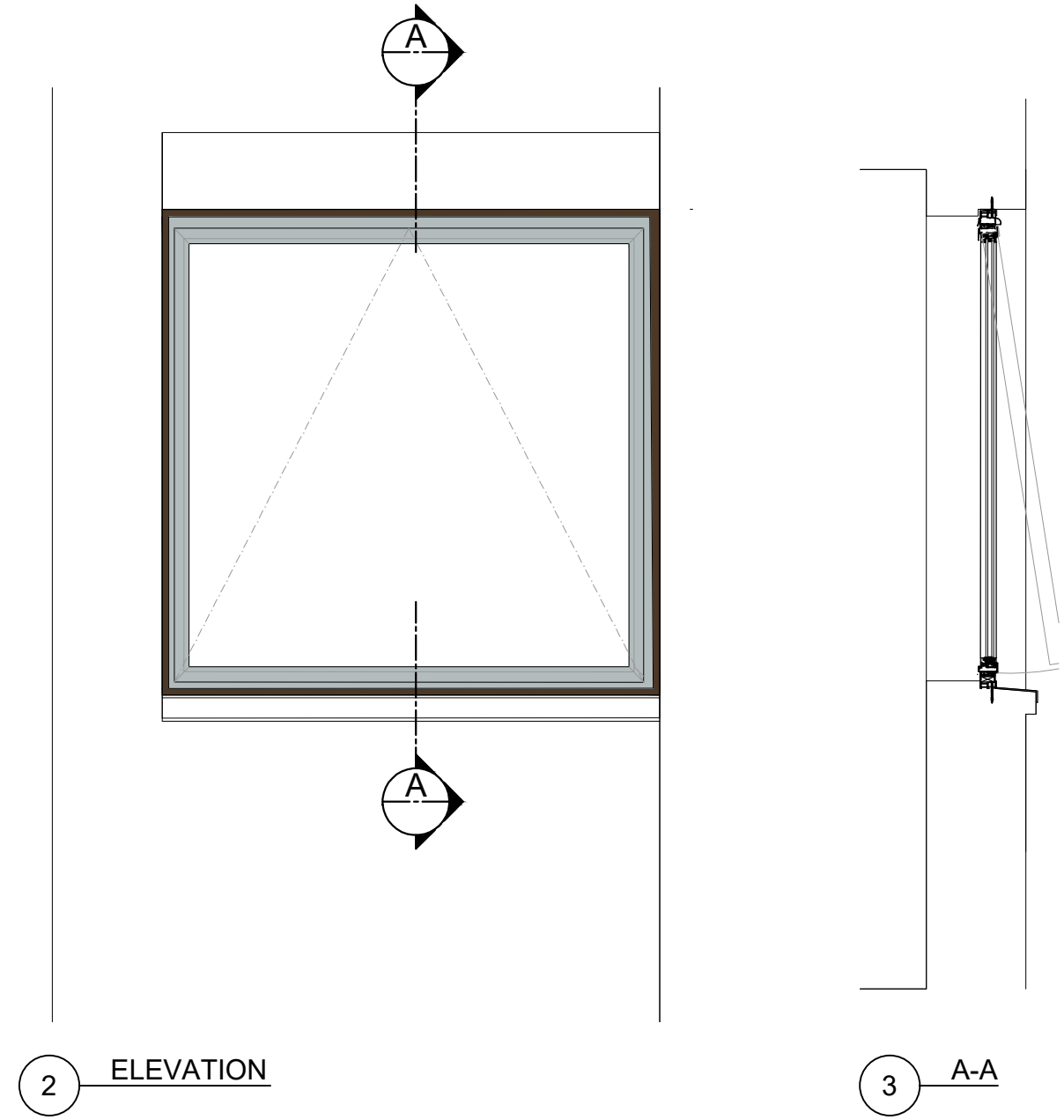
Scale A3 @ 1:20

Project No.	Ref.	Drawing No.	Rev
23052	SH	613	P2

Cad File
23052.SH.600 (WIN_DR)



EXISTING



PROPOSED



P1 24.07.2023 WHL
*ISSUED FOR PLANNING APPROVAL

rev	amendments	date	by



T +44 (0) 7883 732373
W ipa-architects.com

Project
5 & 6 Oak Hill Park Mews
Hampstead
London
NW3 7LH

Drawing Title
EXISTING / PROPOSED
WINDOW & DOORS

1.W3 & 2.W3

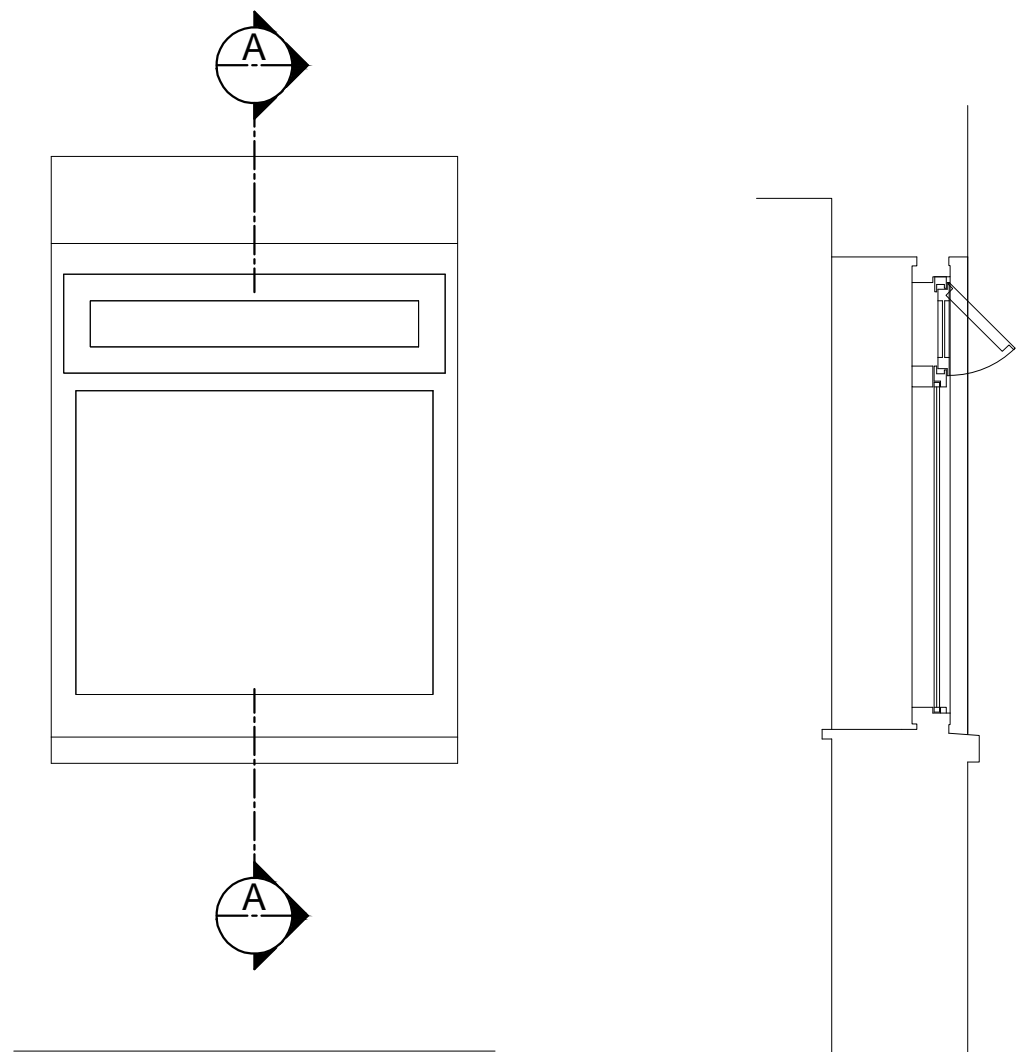
Drawing Status
PLANNING

Date 18.05.2023 Drawn by WHL

Scale
A3 @ 1:20

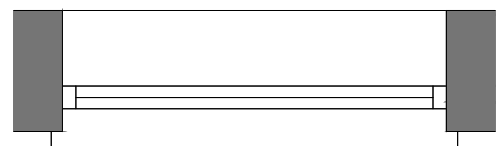
Project No.	Ref.	Drawing No.	Rev
23052	SH	614	P1

Cad File
23052.SH.600 (WIN_DR)



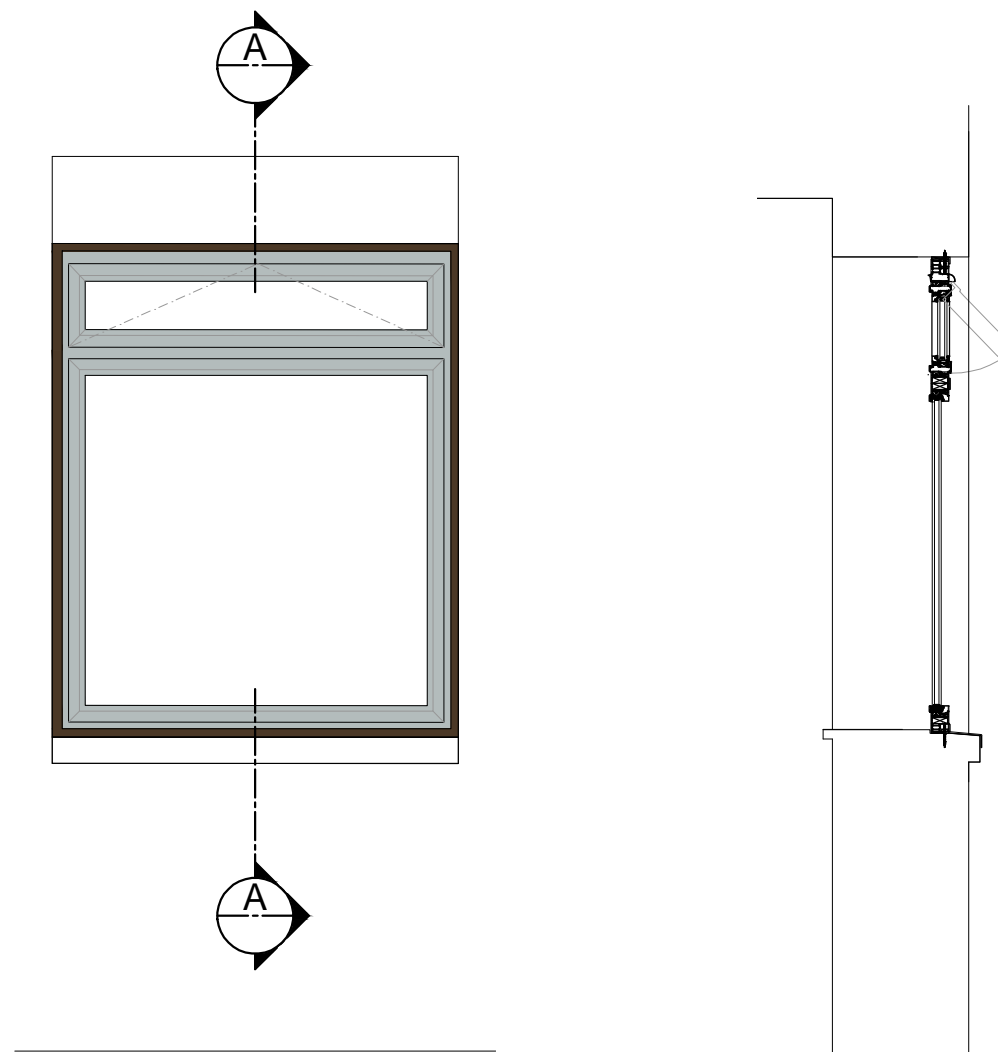
2 ELEVATION

3 A-A



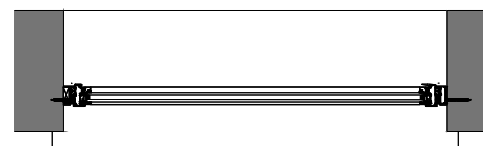
1 PLAN

EXISTING



2 ELEVATION

3 A-A



1 PLAN

PROPOSED



P2 08.03.2024 RVW
* Omit lower panel opening -
proposed

P1 24.07.2023 WHL
* ISSUED FOR PLANNING APPROVAL

rev amendments date by



T +44 (0) 7883 732373
W ipa-architects.com

Project
5 & 6 Oak Hill Park Mews
Hampstead
London
NW3 7LH

Drawing Title
EXISTING / PROPOSED
WINDOW & DOORS

1.W4

Drawing Status
PLANNING

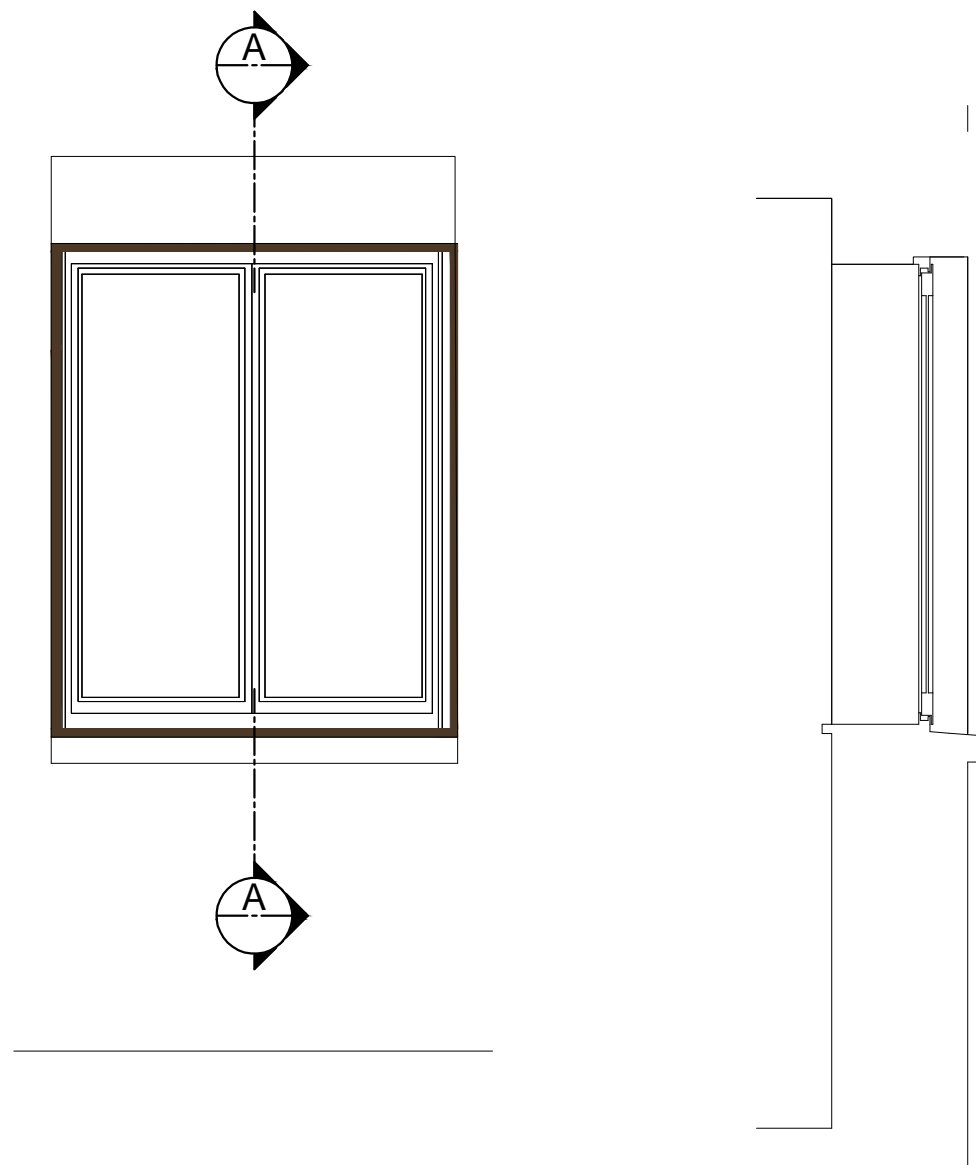
Date 18.05.2023 Drawn by WHL

Scale
A3 @ 1:20

Project No.	Ref.	Drawing No.	Rev
23052	SH	615	P2

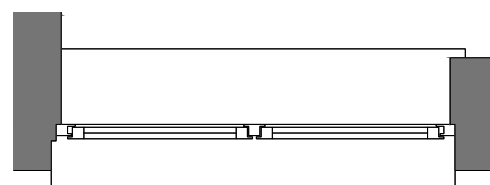
Cad File
23052.SH.600 (WIN_DR)

© IPA Architects: All rights reserved.



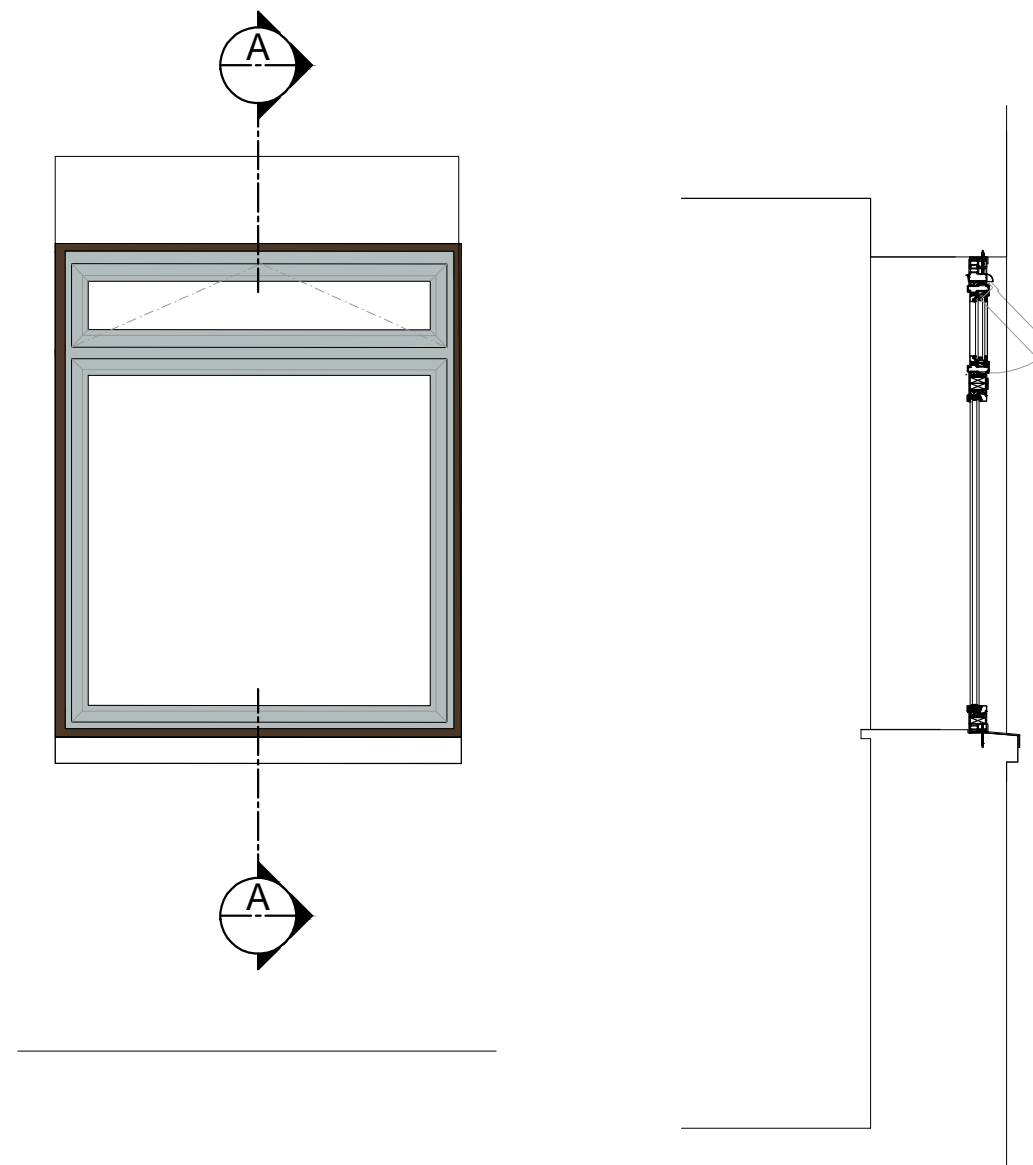
2 ELEVATION

3 A-A



1 PLAN

EXISTING



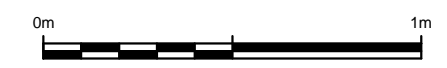
2 ELEVATION

3 A-A



1 PLAN

PROPOSED



P2 08.03.2024 RVW
* Omit lower panel opening - proposed
* Update proposed section

P1 24.07.2023 WHL
* ISSUED FOR PLANNING APPROVAL

rev amendments date by



T +44 (0) 7883 732373
W ipa-architects.com

Project
5 & 6 Oak Hill Park Mews
Hampstead
London
NW3 7LH

Drawing Title
EXISTING / PROPOSED
WINDOW & DOORS

1.W5

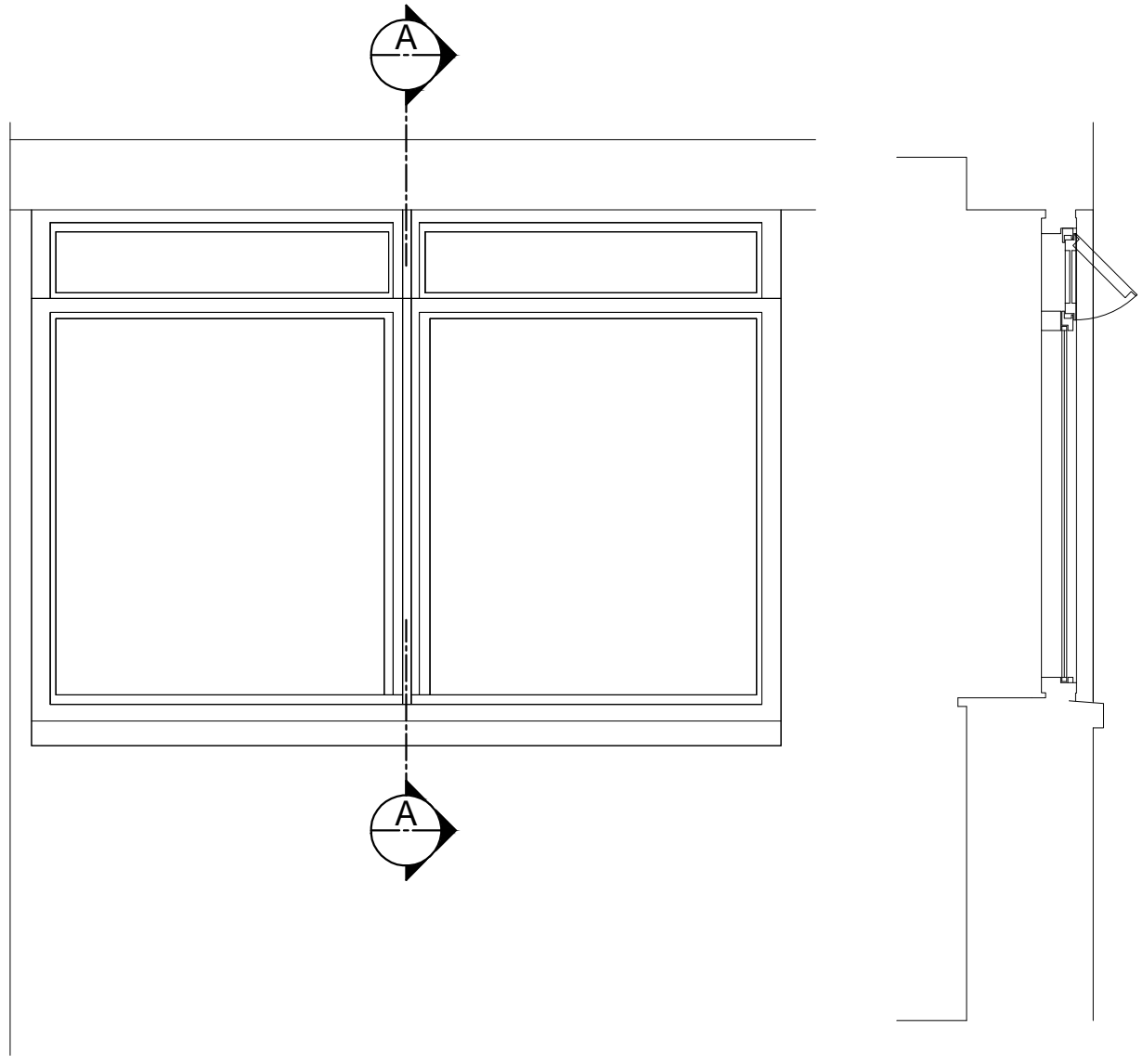
Drawing Status
PLANNING

Date 18.05.2023 Drawn by WHL

Scale A3 @ 1:20

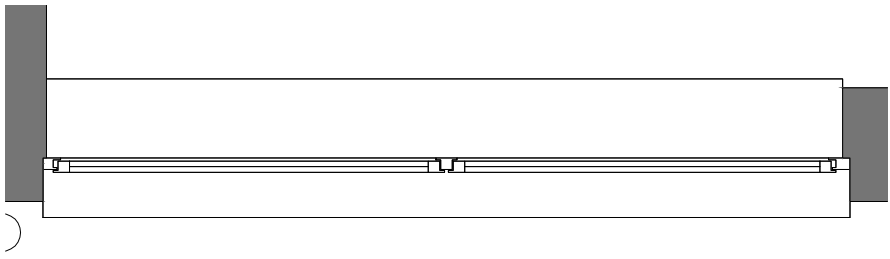
Project No.	Ref.	Drawing No.	Rev
23052	SH	616	P2

Cad File
23052.SH.600 (WIN_DR)



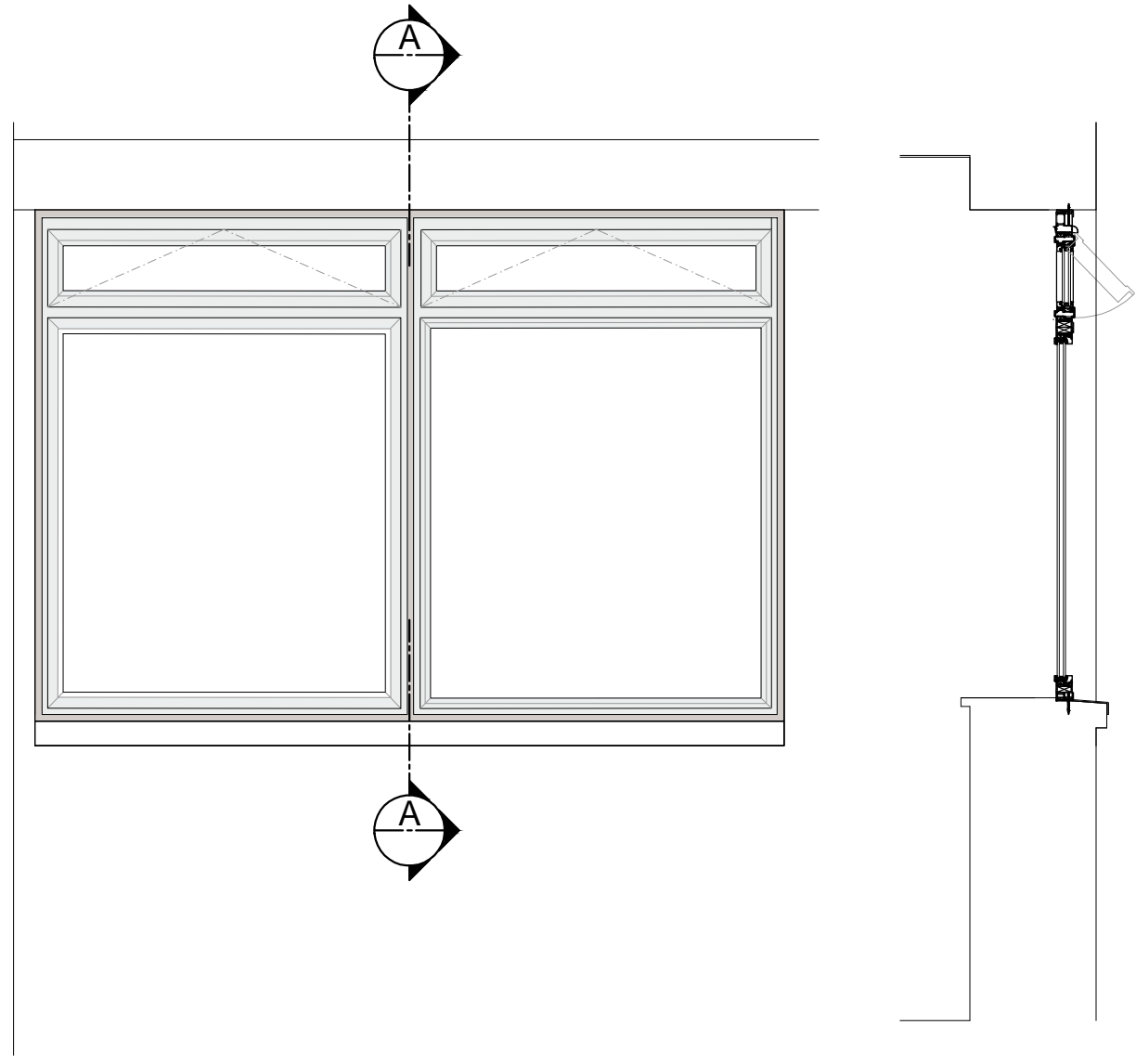
2 ELEVATION

3 A-A



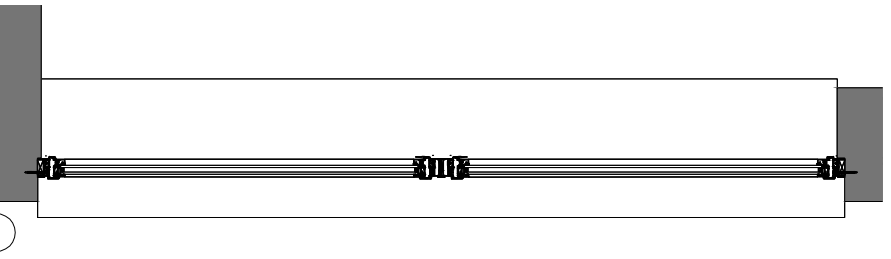
1 PLAN

EXISTING



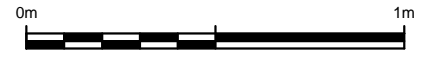
2 ELEVATION

3 A-A



1 PLAN

PROPOSED



P2 08.03.2024 RVW
* Omit lower panel opening - proposed

P1 24.07.2023 WHL
* ISSUED FOR PLANNING APPROVAL

rev	amendments	date	by



T +44 (0) 7883 732373
W ipa-architects.com

Project
5 & 6 Oak Hill Park Mews
Hampstead
London
NW3 7LH

Drawing Title
EXISTING / PROPOSED
WINDOW & DOORS

2.W4, W5, W6

Drawing Status
PLANNING

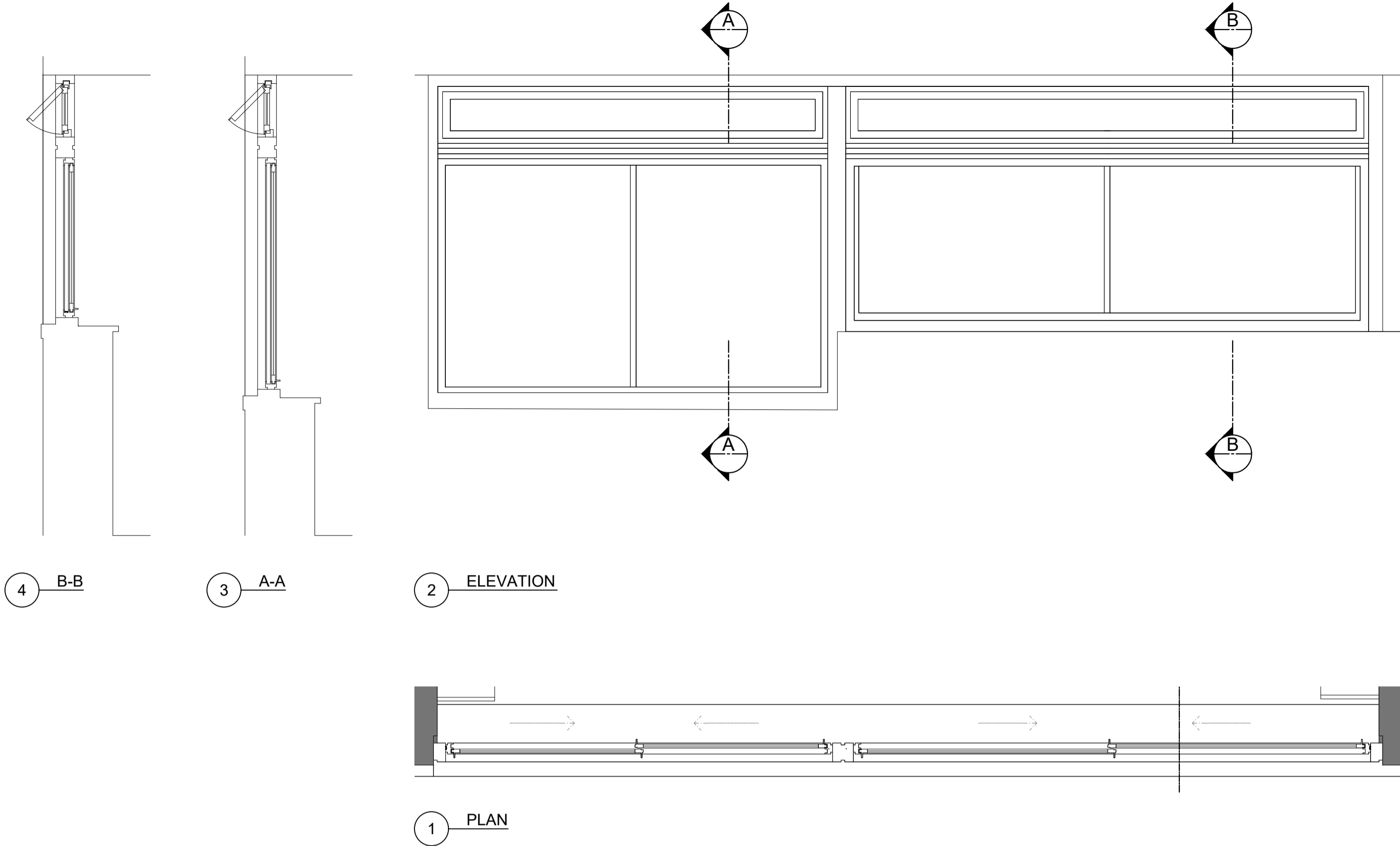
Date 18.05.2023 Drawn by WHL

Scale
A3 @ 1:20

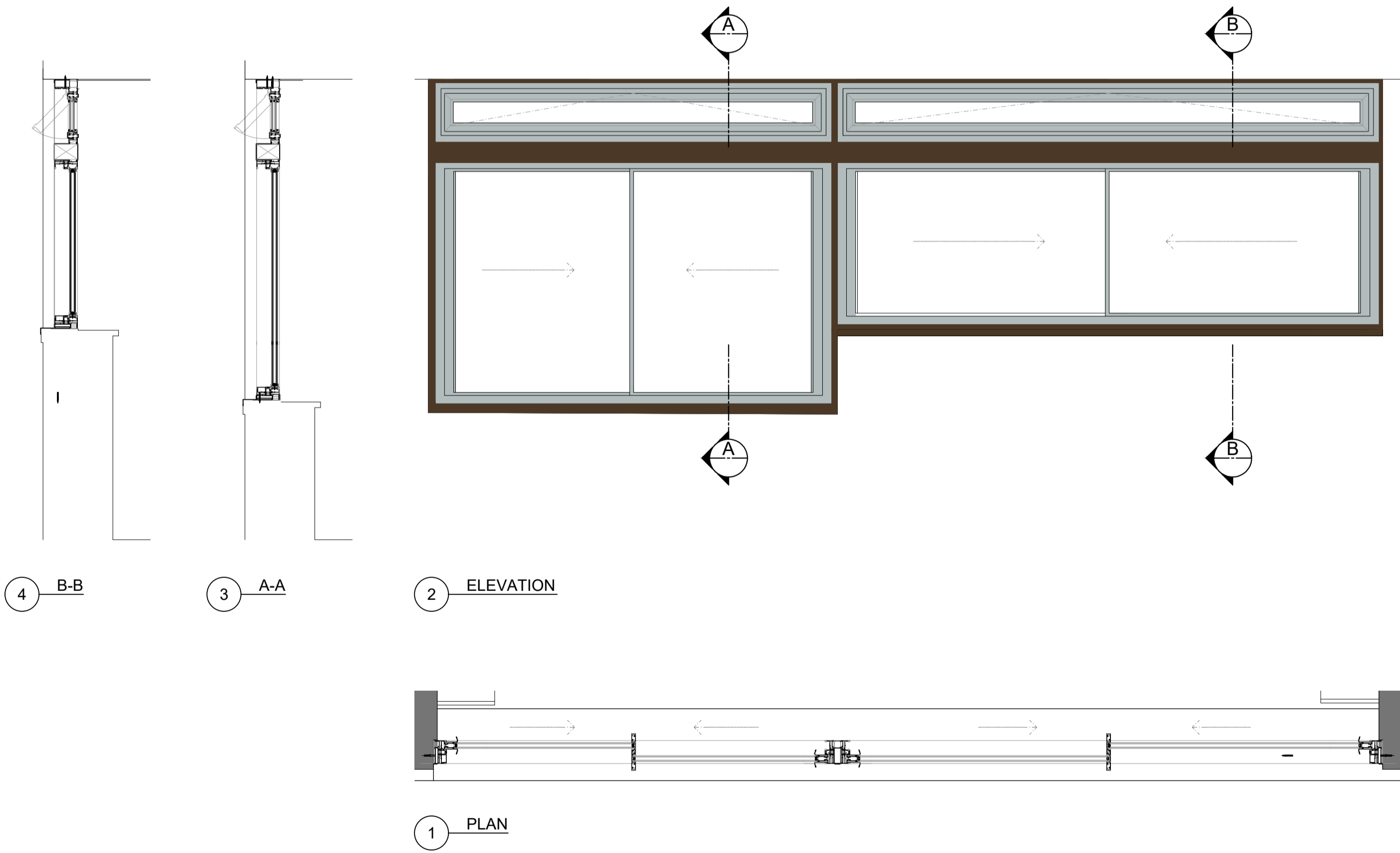
Project No.	Ref.	Drawing No.	Rev
23052	SH	619	P2

Cad File
23052.SH.600 (WIN_DR)

© IPA Architects: All rights reserved.



EXISTING



PROPOSED



This drawing must not be reproduced without permission. Do not scale from drawing. Contractor to check all dimensions on site. Report discrepancies to the architect.

24.07.2023/VHL
 ISSUED FOR PLANNING APPROVAL
 by rev amendments date



T +44 (0) 7883 732373
 W ipa-architects.com

Project
 5 & 6 Oak Hill Park Mews
 Hampstead
 London
 NW3 7LH

Drawing Title
 EXISTING / PROPOSED
 WINDOWS & DOORS

2.W1 & 2.W2

Drawing Status

PLANNING

Date 18.05.2023
 Drawn by WHL

Scale	A2 @	1:20
Project No.	23052	SH
Ref.	618	P1
Drawing No.		
Rev		

Cad File
 23052.SH.600 (WIN_DR)
 © IPA Architects. All rights reserved.