

**GENERAL NOTES**

CONTRACTOR TO IMMEDIATELY ADVISE THE CONTRACT ADMINISTRATOR & ARCHITECT OF ANY DISCREPANCIES BETWEEN THE EXISTING SURVEY DRAWINGS AND THE SITE SITUATION IF FOUND TO DIFFER. SHOULD A DISCREPANCY BE IDENTIFIED, THE CONTRACTOR IS TO REQUEST VERIFICATION FROM THE CONTRACT ADMINISTRATOR BY WAY OF INSTRUCTION PRIOR TO PROCEEDING WITH THE ASSOCIATED WORK OR ORDERING OF MATERIALS.

WHERE THERE IS A PERCEIVED DISCREPANCY BETWEEN THE ARCHITECTS / M & E / STRUCTURAL ENG. DRAWINGS, SPECIFICATIONS AND SCHEDULES, THOSE OF THE ARCHITECT ARE TO TAKE PRECEDENCE. THE CONTRACTOR IS TO SEEK CLARIFICATION FROM THE CONTRACT ADMINISTRATOR PRIOR TO UNDERTAKING THE WORKS OR ASSOCIATED WORKS.

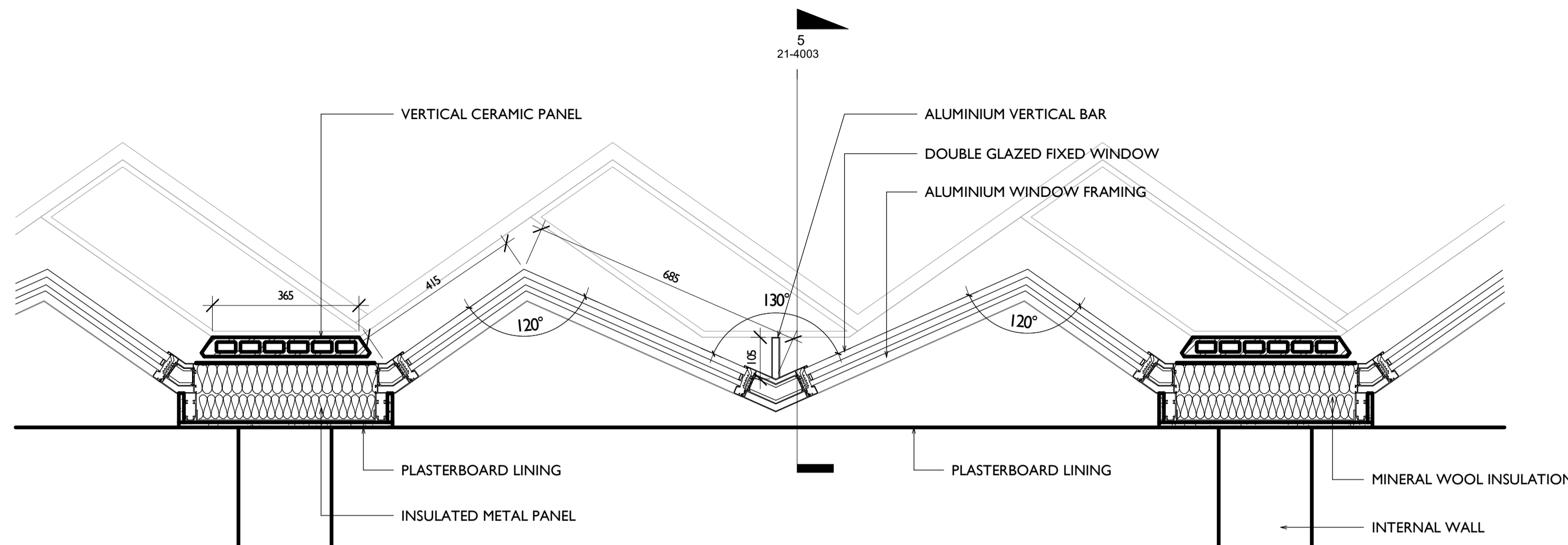
THE CONTRACTOR IS RESPONSIBLE FOR CHECKING DIMENSIONS. ANY DISCREPANCY TO BE VERIFIED WITH THE ARCHITECTS BEFORE PROCEEDING WITH ANY WORKS.

DO NOT SCALE DRAWINGS.

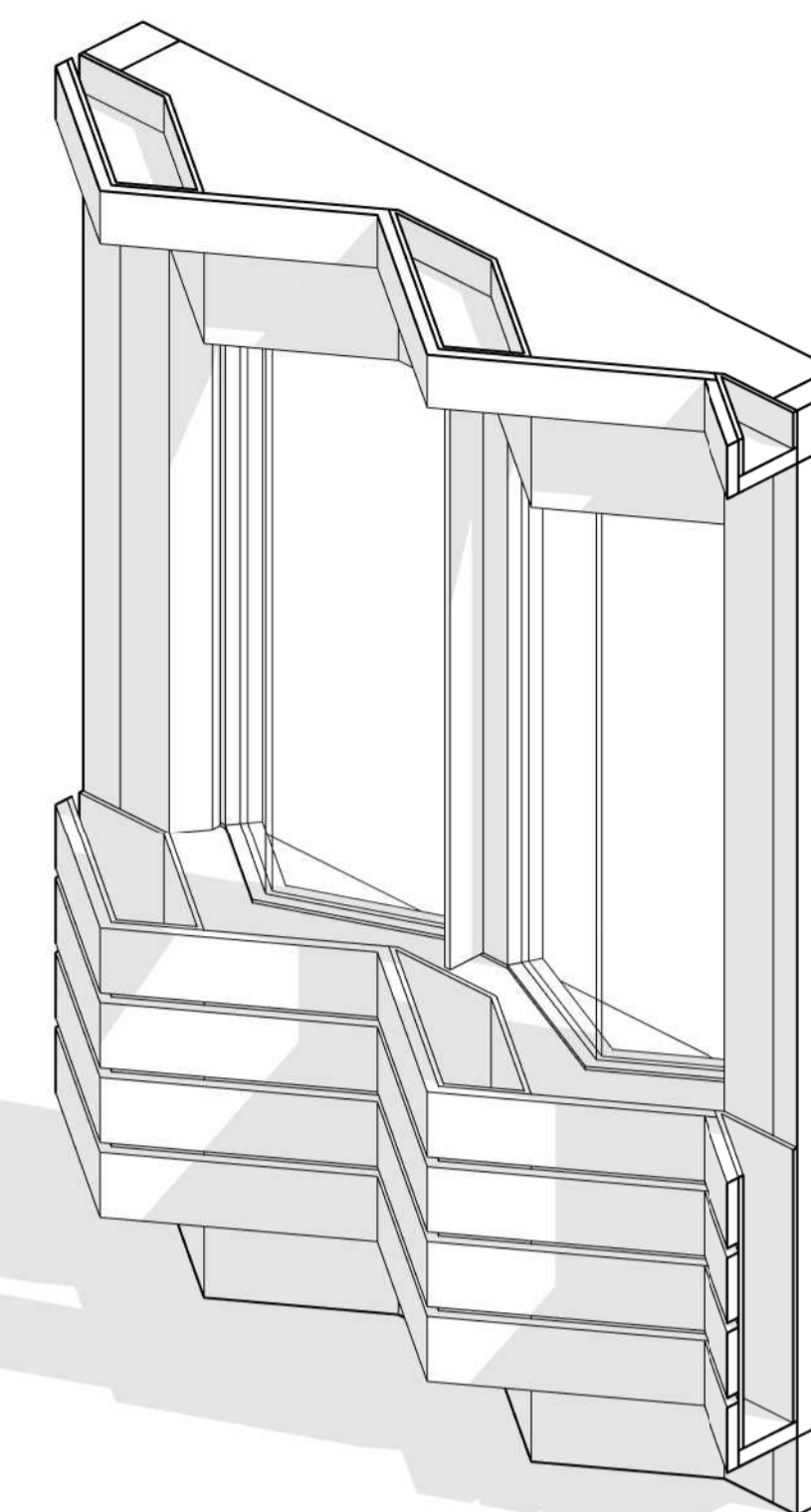
FIGURED DIMENSIONS TO BE WORKED IN ALL CASES. ALL DIMS ARE IN mm UNLESS OTHERWISE STATED.

ALL SUPPLIED TIMBER AND TIMBER BASED PRODUCTS SHALL CARRY THE FOREST STEWARDSHIP COUNCIL'S (FSC) TRADEMARK OR OTHER LABEL FROM AN EQUIVALENT INTERNATIONALLY RECOGNISED, GLOBALLY APPLICABLE, INDEPENDENT CERTIFICATION SYSTEM FOR GOOD FOREST MANAGEMENT, ACCEPTABLE TO THE ARCHITECT. CHAIN OF CUSTODY DOCUMENTATION IS TO BE PROVIDED PRIOR TO ANY WORKS PROCEEDING AND IS TO BE AVAILABLE FOR INSPECTION ON REQUEST BY THE ARCHITECT (WHERE INDEPENDENTLY CERTIFIED TIMBER STOCKS ARE NOT AVAILABLE, TIMBER AND WOOD PRODUCTS MAY BE SOURCED FROM SUPPLIERS THAT HAVE ADOPTED A FORMAL ENVIRONMENTAL PURCHASING POLICY, AND CAN PROVIDE CREDIBLE EVIDENCE OF A COMMITMENT TO THAT POLICY).

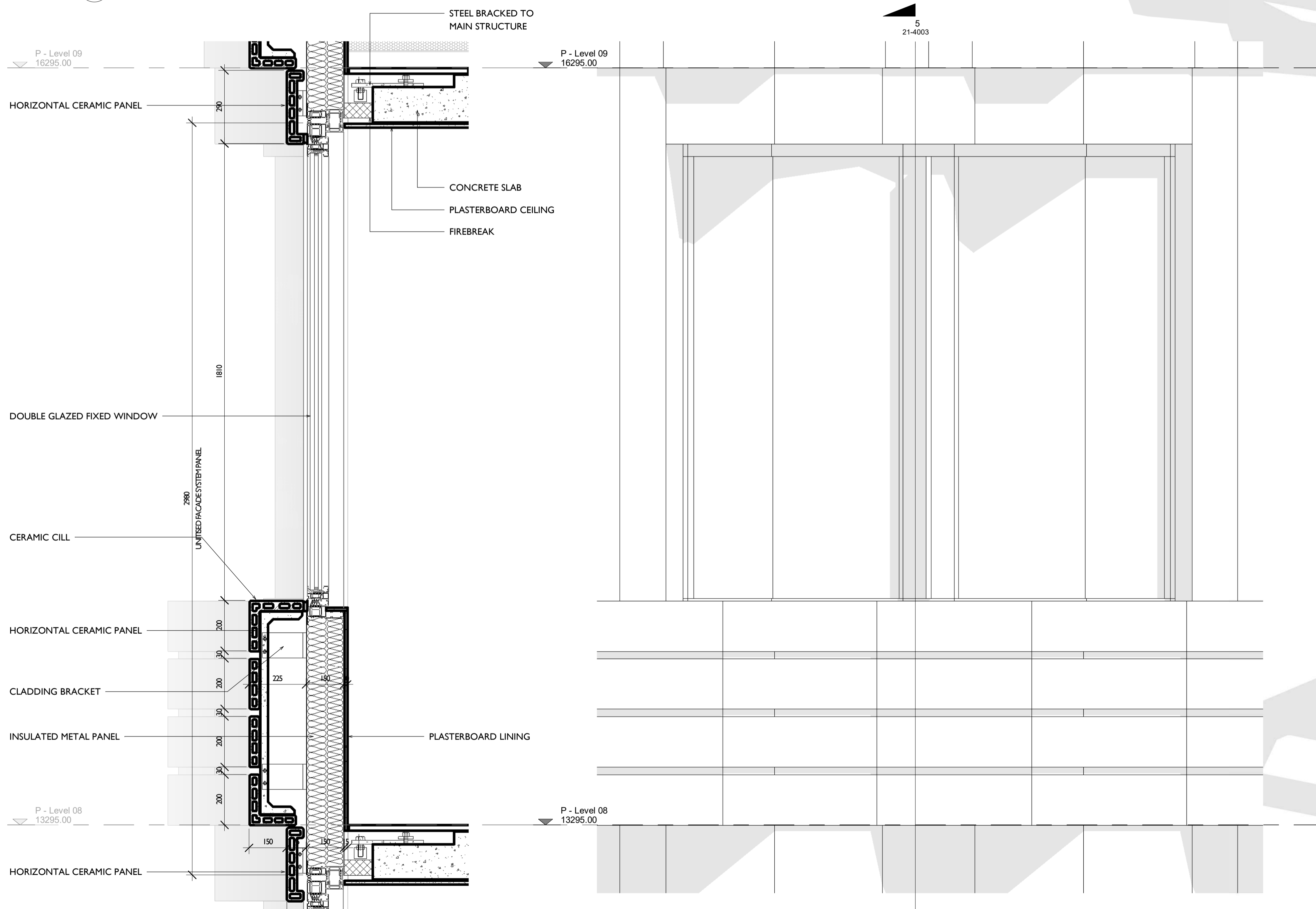
THIS DRAWING IS TO BE READ IN CONJUNCTION WITH ALL RELEVANT ARCHITECTS, STRUCTURAL ENGINEERS, M&E ENGINEERS AND OTHER CONTRACT DOCUMENTS.



**1 Bay 2 - Plan View**  
1:10

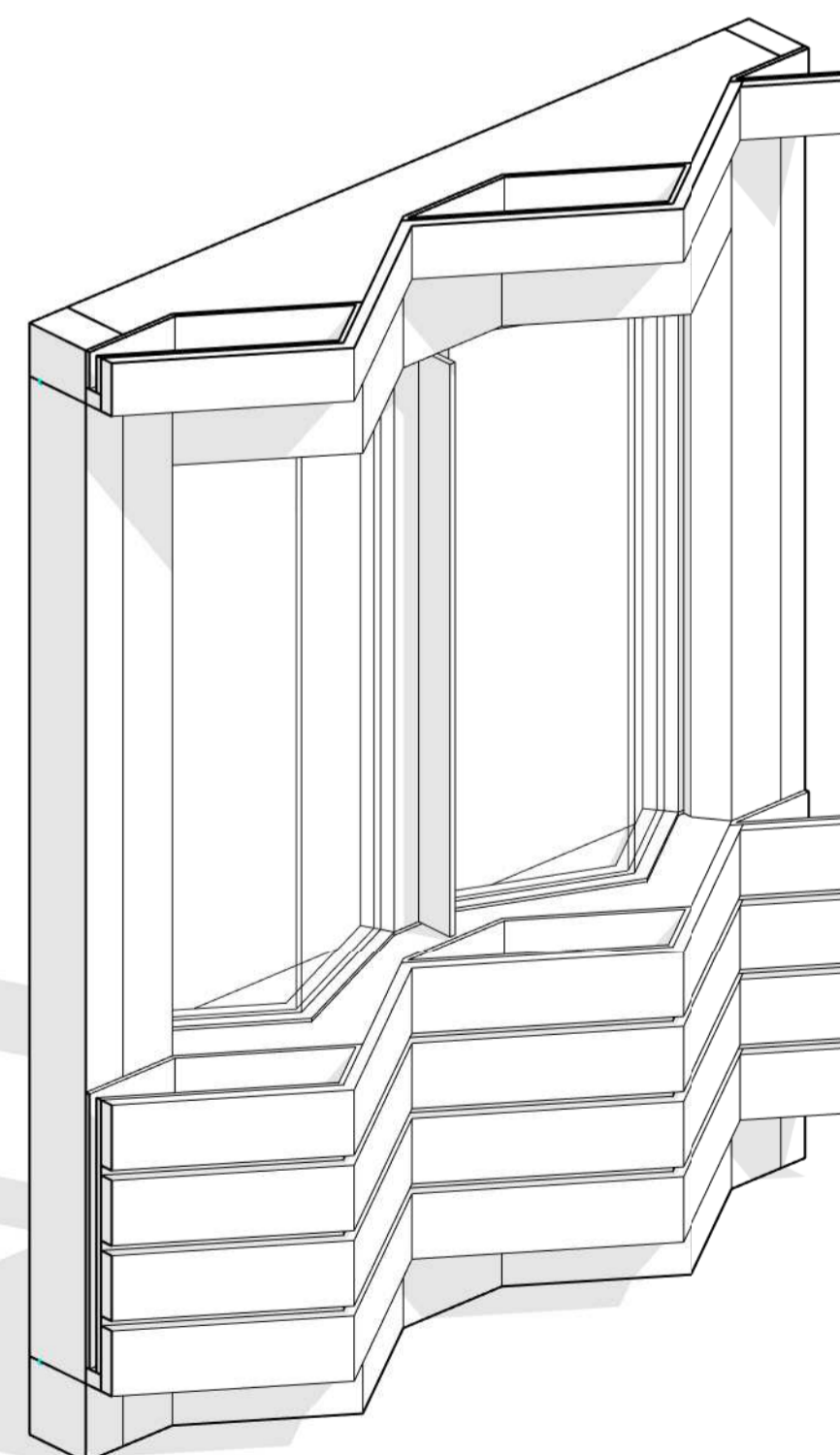


**2 Bay 2 - Axo View 1**



**5 Bay 2 - Section 1**  
21-4003 1:10

**4 Bay 2 - Elevation**  
1:10



**3 Bay 2 - Axo View 2**

Notes legends or Key plans to be added above here

DATE	REV	DF	BY	DESCRIPTION
31.01.24	P0.01	DF		ISSUE FOR PLANNING

**SPPARC**

N°10 BAYLEY STREET  
BEDFORD SQUARE  
LONDON WC1B 3HB  
T +44 (0) 20 7734 4100  
F +44 (0) 20 7534 9930  
W www.spparcstudio.com

Client  
**YC Saville Theatre Limited**

Job Title  
**2111 - Saville Theatre - Shaftesbury Avenue**

Drawing Title  
**Proposed Facade Typical Detail - Sheet 03**

Drawing Number & Revision  
2111-SPP-ST-ZZ-DR-A-21-4003

Scale	Date Amended	Amended By	Revision
1:10	31.01.24	DF	P0.01
Checked	Date Created	Drawn By	SUITABILITY
Checker	Jan 2024	EG	S4