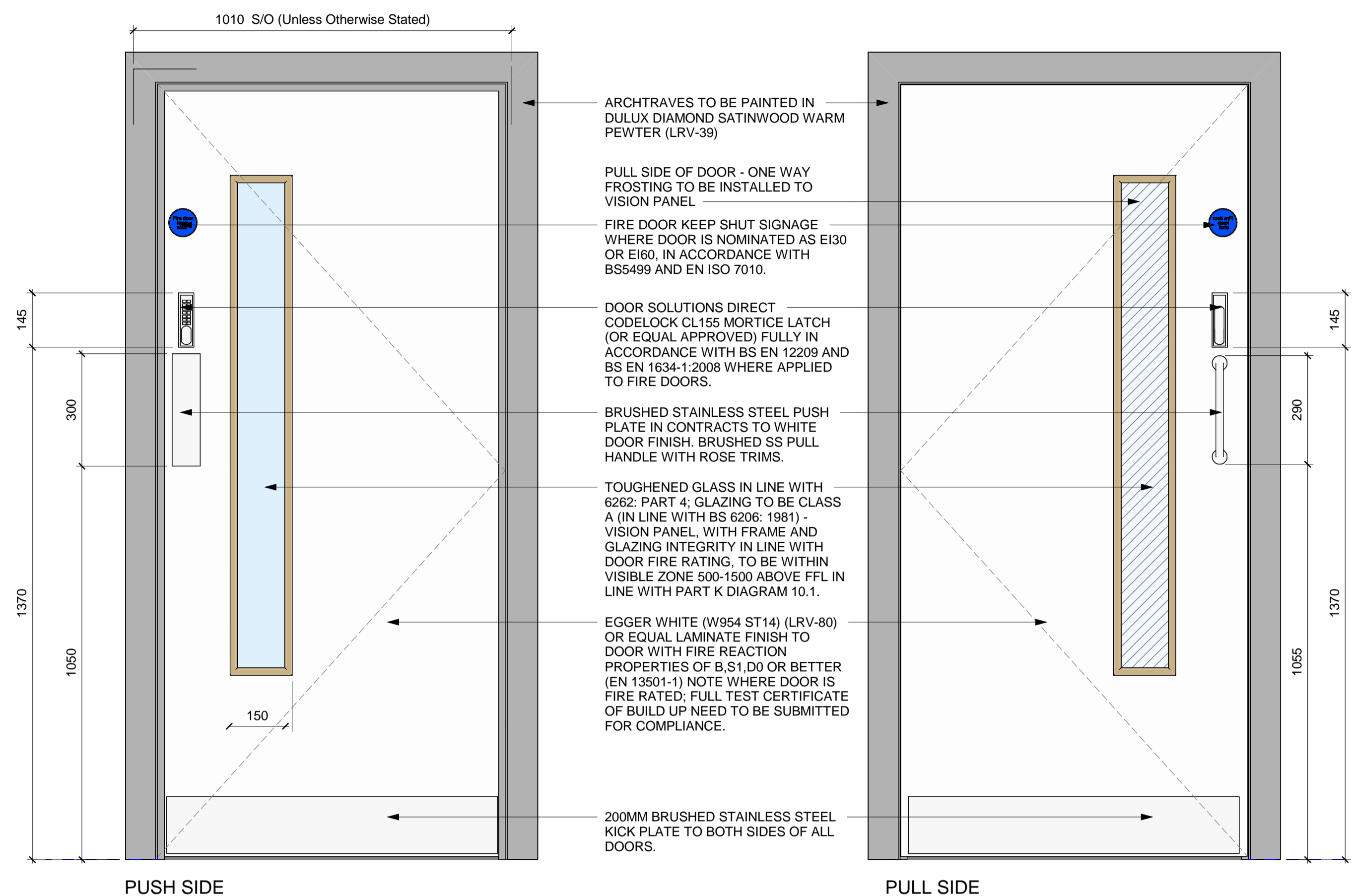


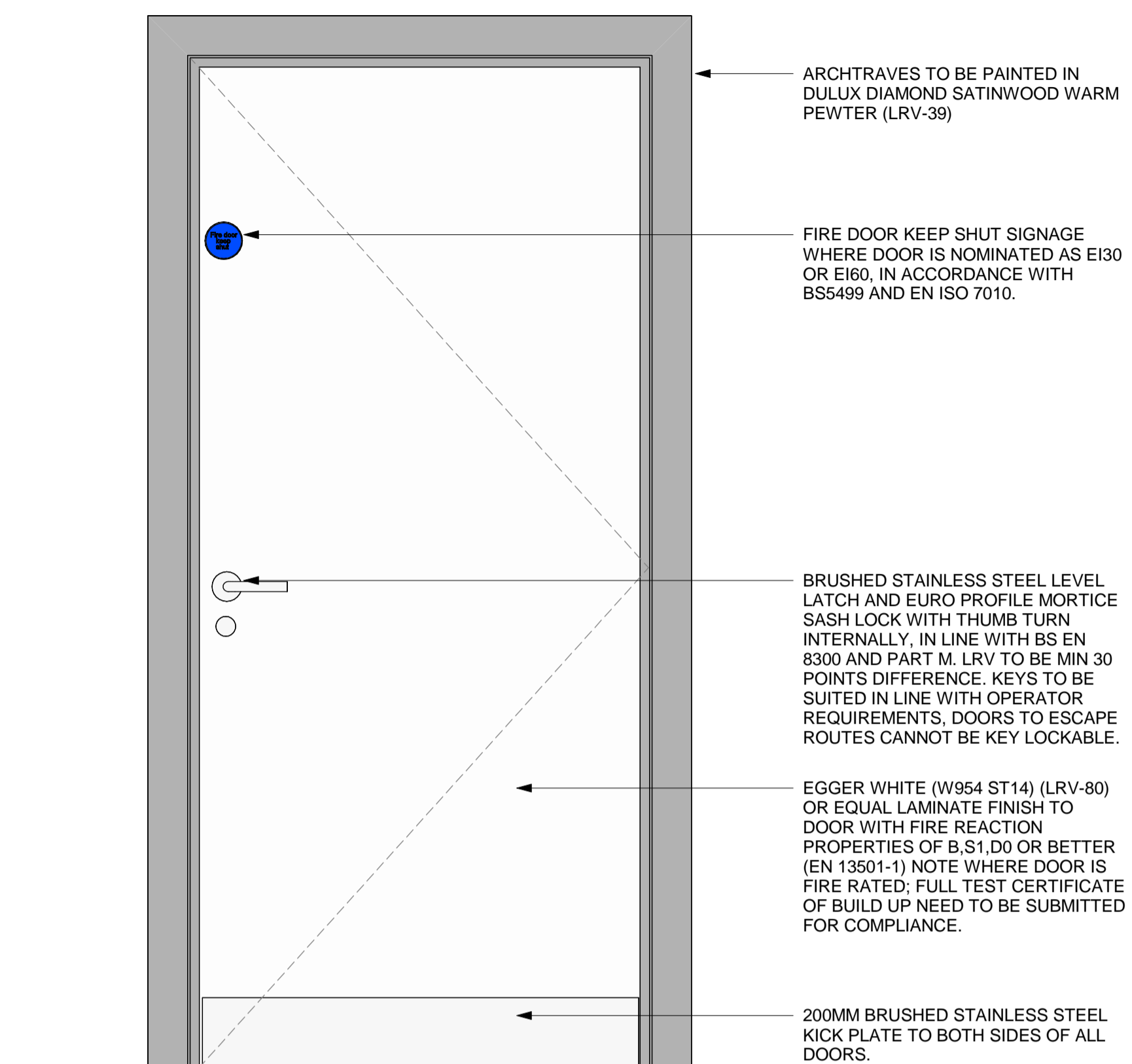
White Laminate Finish Door with Vision Panel
Code Lock - Pin to Push Side

Door shown RIGHT handed with hinge to the right when viewed from the push side. Hardware should be to this hand as standard, unless shown as 'LEFT HANDED' next to door number below.



DOOR NUMBERS:
D-01 - (LEFT HANDED) - 30MIN FIRE INTEGRITY IN LINE WITH FIRE STRATEGY

White Laminate Finish Door
Lever Latch & Lock

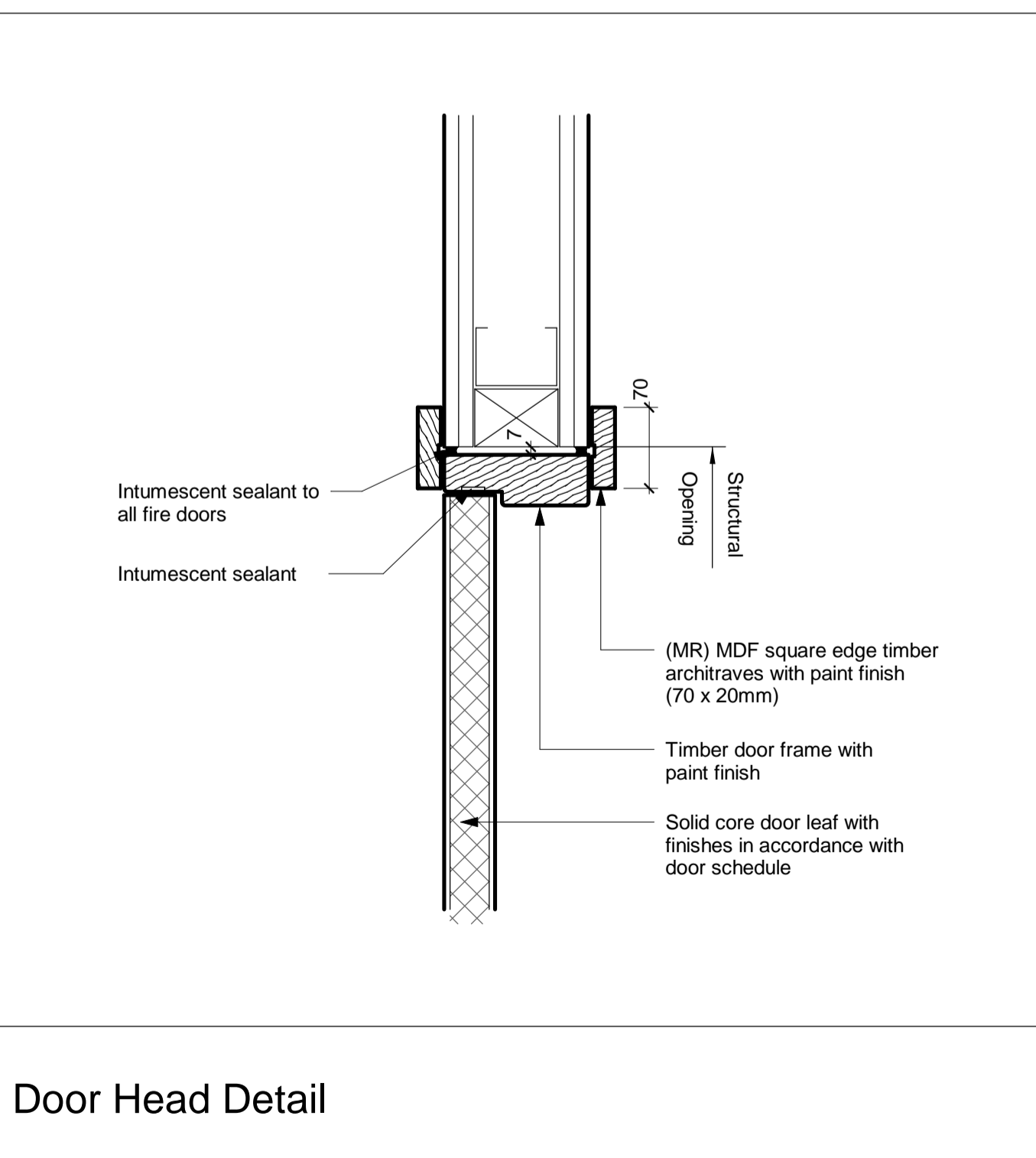


DOOR NUMBERS:
D-02 (LEFT HANDED) - 30MIN FIRE INTEGRITY IN LINE WITH FIRE STRATEGY

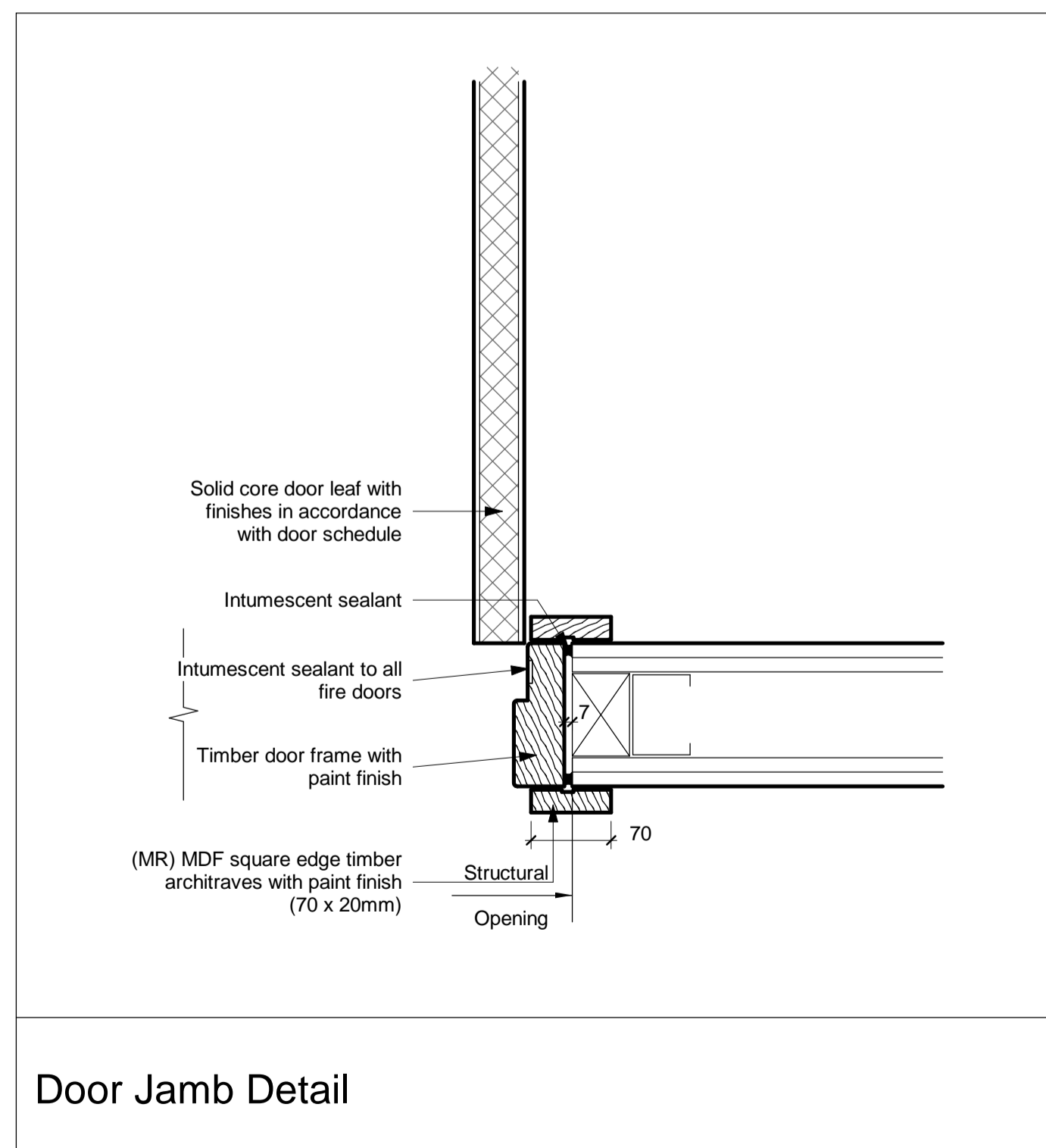
REV	DATE	DESCRIPTION	DRAWN	CHECKED
02	29-02-14	UPDATED FIRST ISSUE FOR TENDER	AW	GB
01	24-01-29	FIRST ISSUE FOR TENDER	GB	GB

DOOR ELEVATION LEGEND

1 : 10



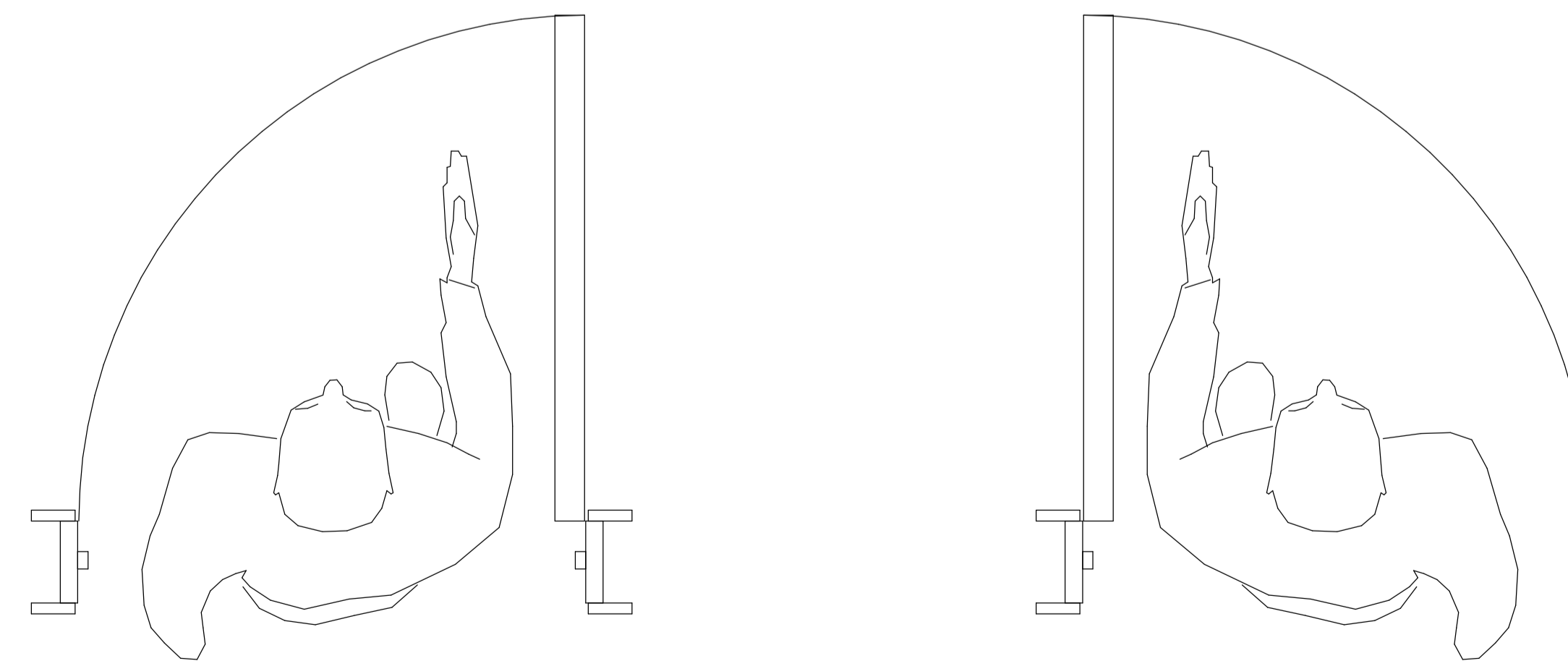
Door Head Detail



Door Jamb Detail

DOOR DETAIL LEGEND

1 : 5



RIGHT HAND

LEFT HAND

DOOR HANDING KEY

1 : 10



STORE NAME
KINGS CROSS STATION

COUNTRY
UK

PROJECT
KINGS CROSS STATION

DRAWING
DOOR DETAILS DRAWING

CONSULTANT
BROOKER FLYNN ARCHITECTS
DISCIPLINE DESCRIPTION
ARCHITECTURE
CONSULTANT LOGO



SCALE PAPER SIZE DATE DRAWN CHECKED
As indicated A1 01/19/24 aw gb

STORE NUMBER PROJECT No DISCIPLINE CODE DRAWING No
23.1165 20011

CONSULTANT PROJECT No STATUS REV
23.1165 DD02

FOR APPROVAL