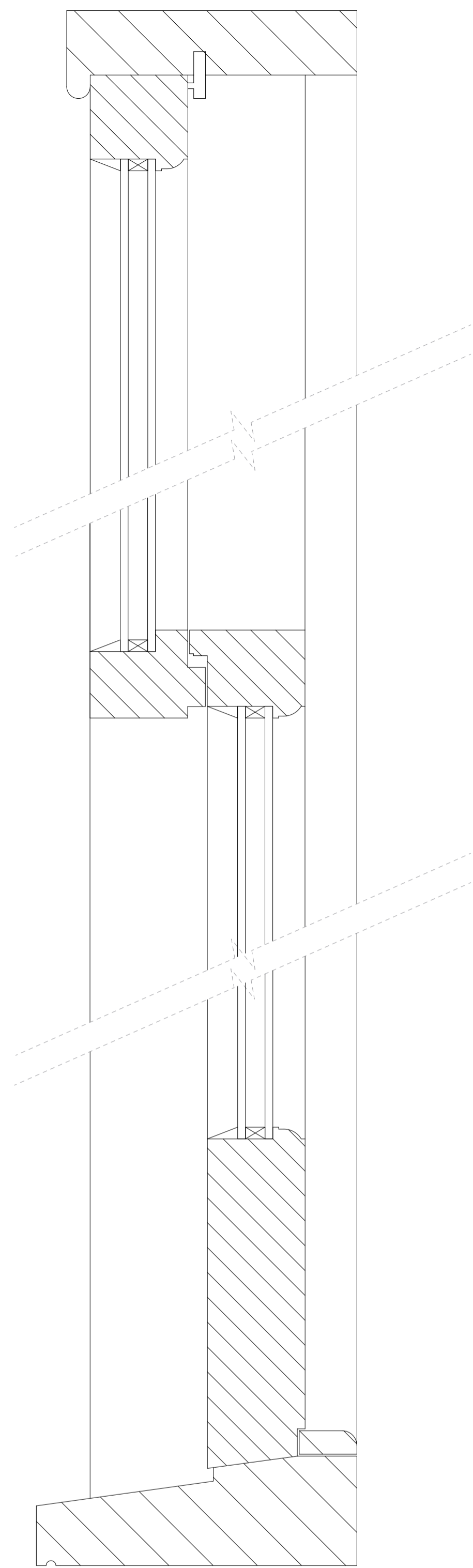
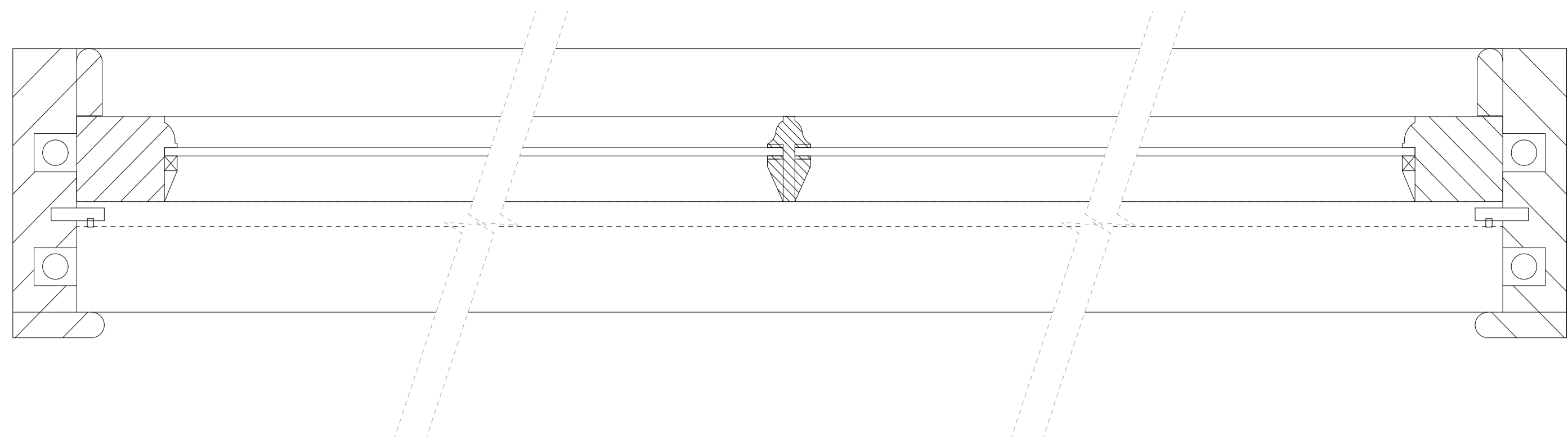


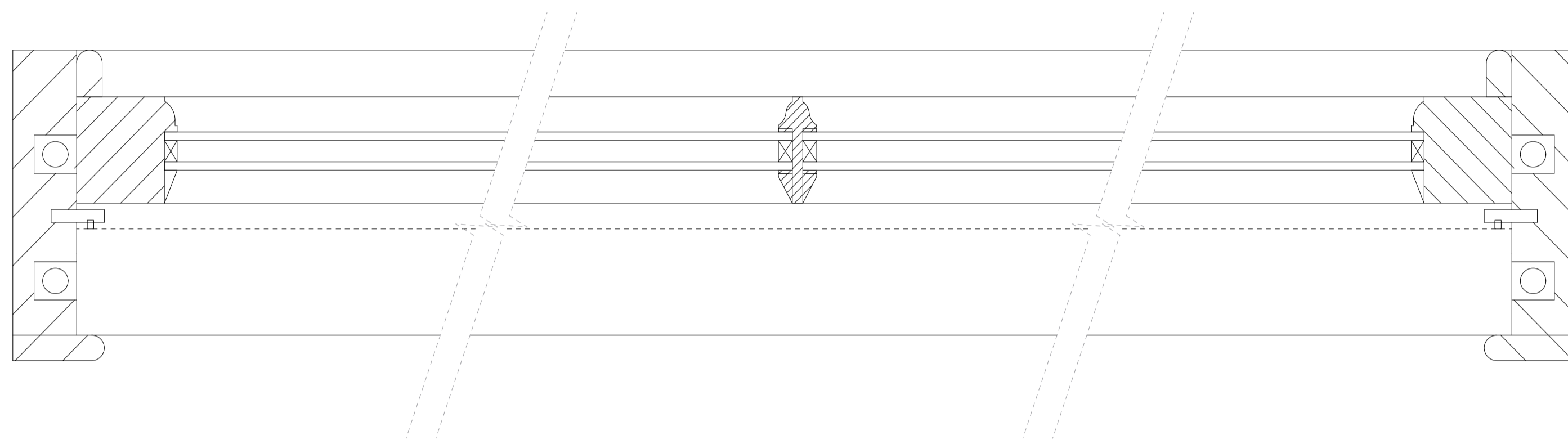
1 Existing 'Sash' Window Section Detail
1:2 @A1



2 Proposed 'Sash' Window Section Detail
1:2 @A2



3 Existing 'Sash' Window Plan Detail
1:2 @A1



4 Proposed 'Sash' Window Plan Detail
1:2 @A1



Astrain Scheldt

info@astrainscheldt.com www.astrainscheldt.com

Project 56 The Pryors, Hampstead Heath	Client Fernando Fontes Nunes & Fernanda Aidar Nunes	Scale 1:2 @ A1 1:10 @ A3	First Issued 22.01.24
Drawing Title Existing & Proposed Typical 'Sash' Window Details	Status Planning	Drawing No. 2269-221	Rev. A