

Designed by: LS Checked by: JBF Project: 1952

Drawing name:
Extract 5 & 6 -
sliding door partition detail

Drawing reference:
043_FB Revision
B

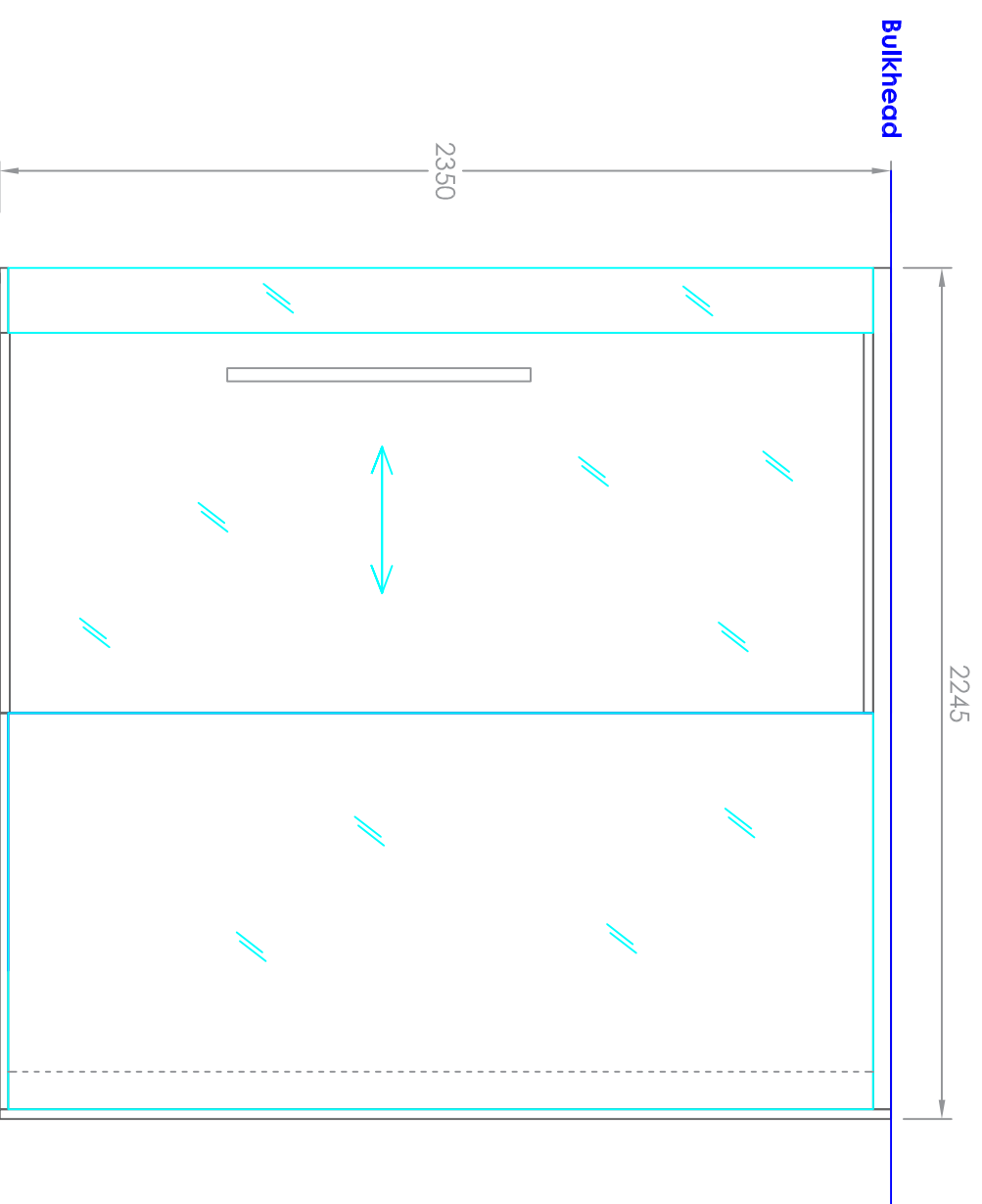
Date: 30/09/22 Scale: @A3 1:20 Drawing
Status: AB

Filename:
043_FB - Sliding door partition detail

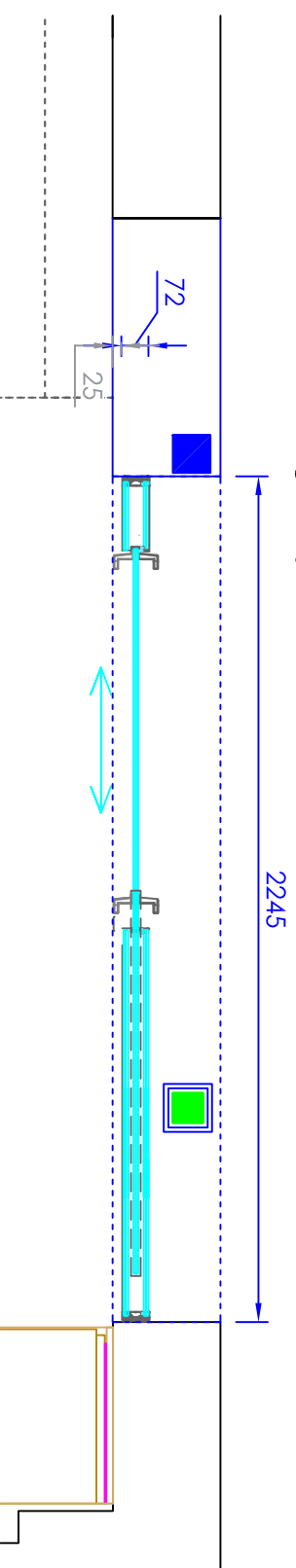
Revision: AB Description: AS BUILT Date:
30.09.22



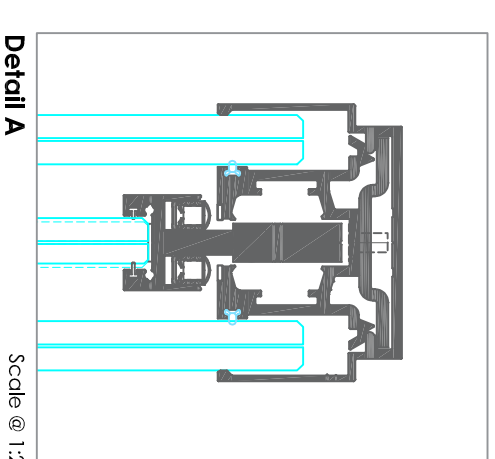
EO taupe partition frame



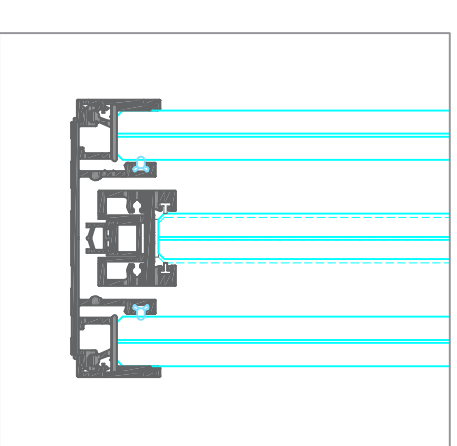
Extract 5 & 6 - Sliding door partition - Elevation



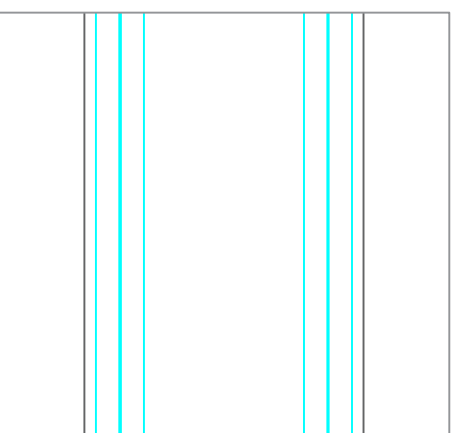
Extract 5 & 6 - Sliding door partition - Plan view



Detail A Scale @ 1:2

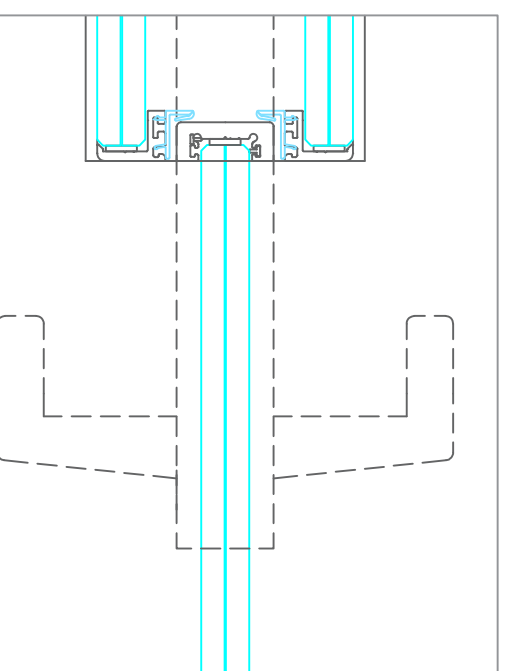


Detail B Scale @ 1:2



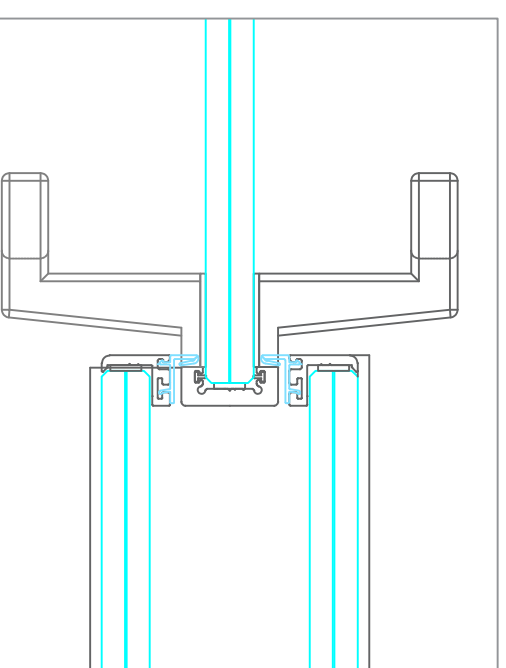
Detail C

Scale @ 1:2



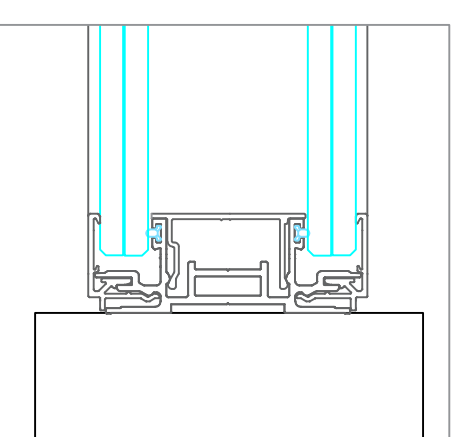
Detail D

Scale @ 1:2



Detail E

Scale @ 1:2



Detail F

Scale @ 1:2

Do not scale from this drawing. All dimensions to be verified on site prior to the commencement of any work or the production of any shop drawing.

This drawing remains the property of Progress, and is not to be disclosed or discussed with any third party without prior written authorization from Progress. All rights reserved.