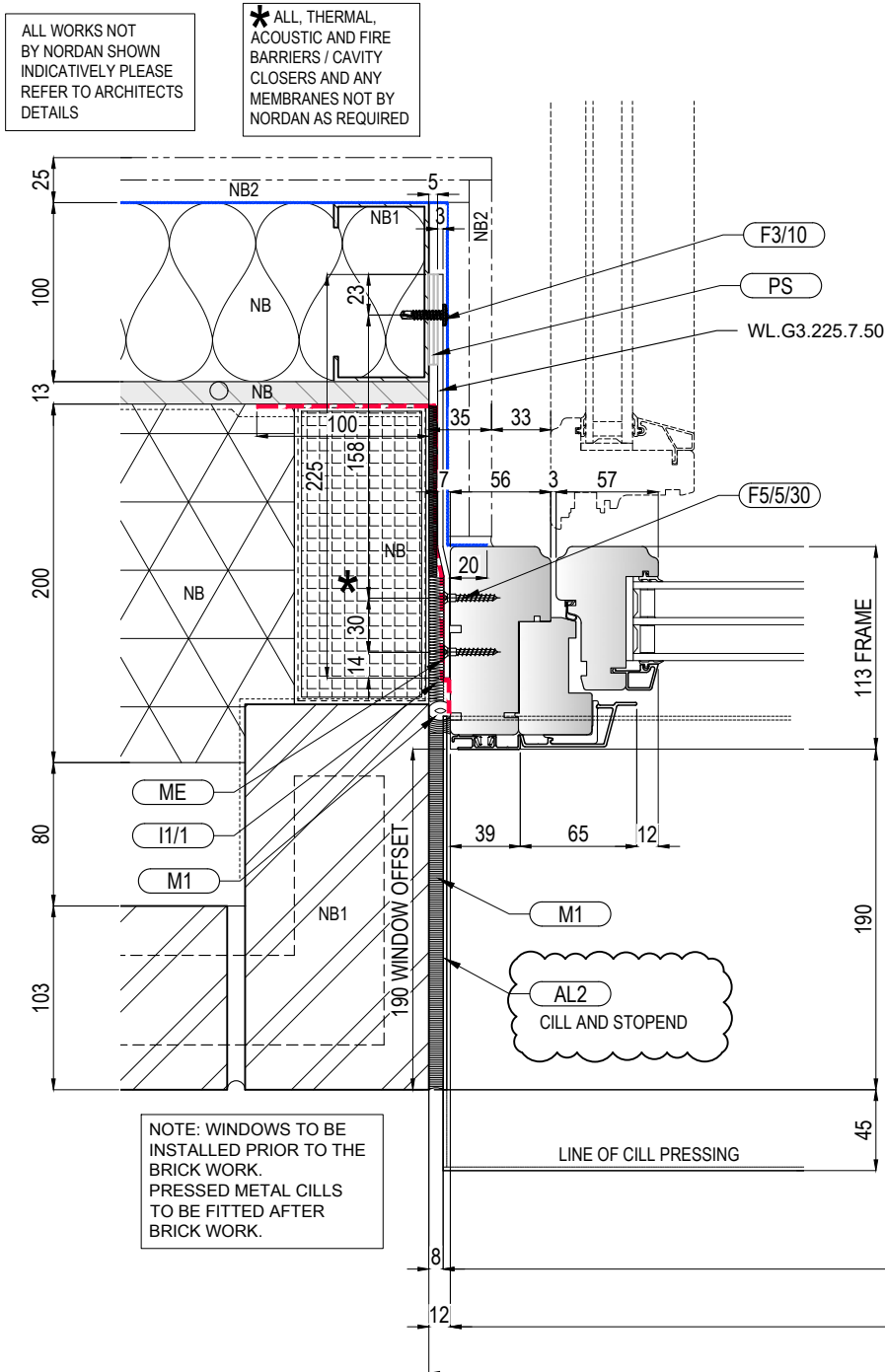
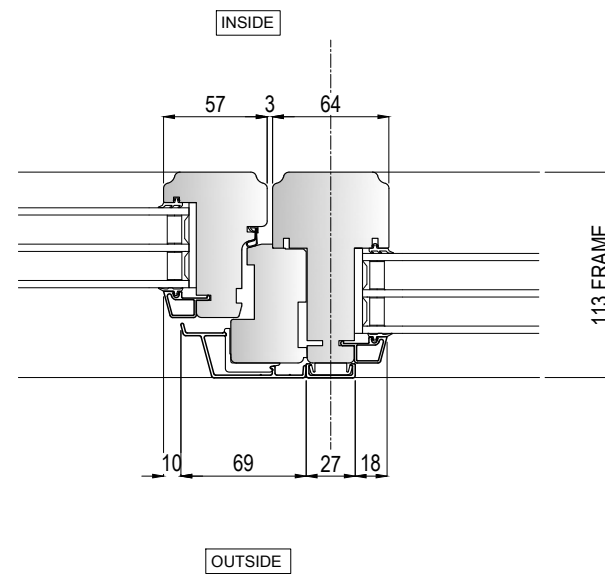
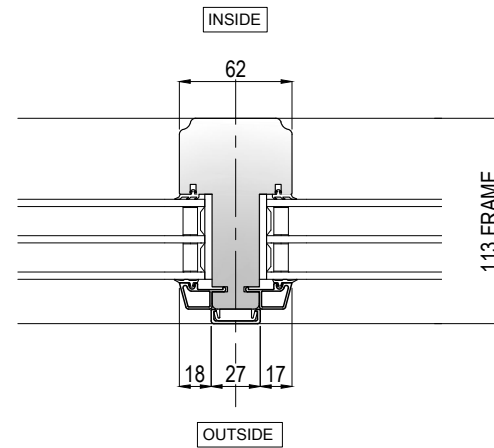
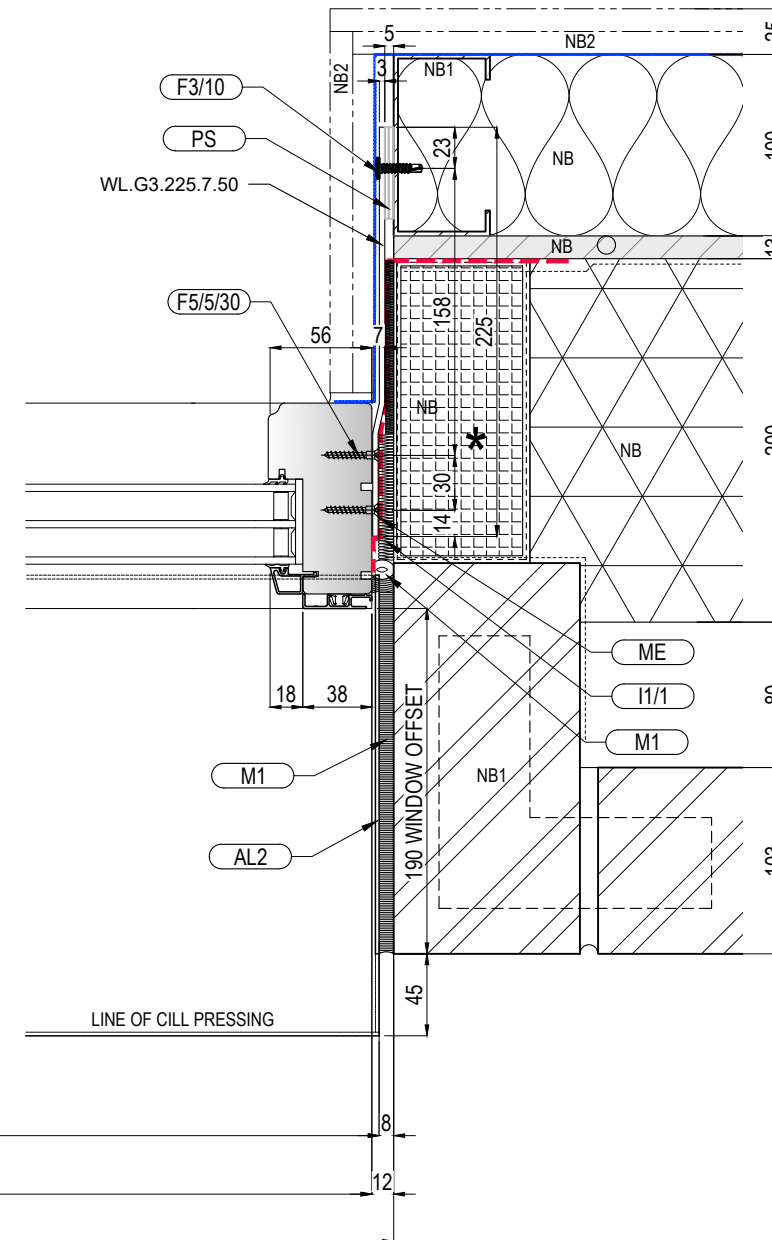


4 FIXED MULLION
Scale: 1:3



3 TYPICAL WINDOW VENT JAMB
Scale: 1:3

2 VENT - FIXED
Scale: 1:3



1 TYPICAL FIXED JAMB
Scale: 1:3

C01 - FOR CONSTRUCTION	23-01-24
P01 - FOR APPROVAL	01-12-23
Rev. Description	Date

Main Contractor
Wates Residential

Project
Abbey Road Phase 3

Drawing Title
TYPICAL WINDOW HORIZONTAL DETAILS

Drawn By/Date	Checked By/Date
XSL/NOV 23	NUK/NOV 23

Scale
1:3@A2

Dwg. No.	Rev.
ARP3-NOR-ZZ-ZZ-DR-X-31201	C01

Issued for
FOR CONSTRUCTION