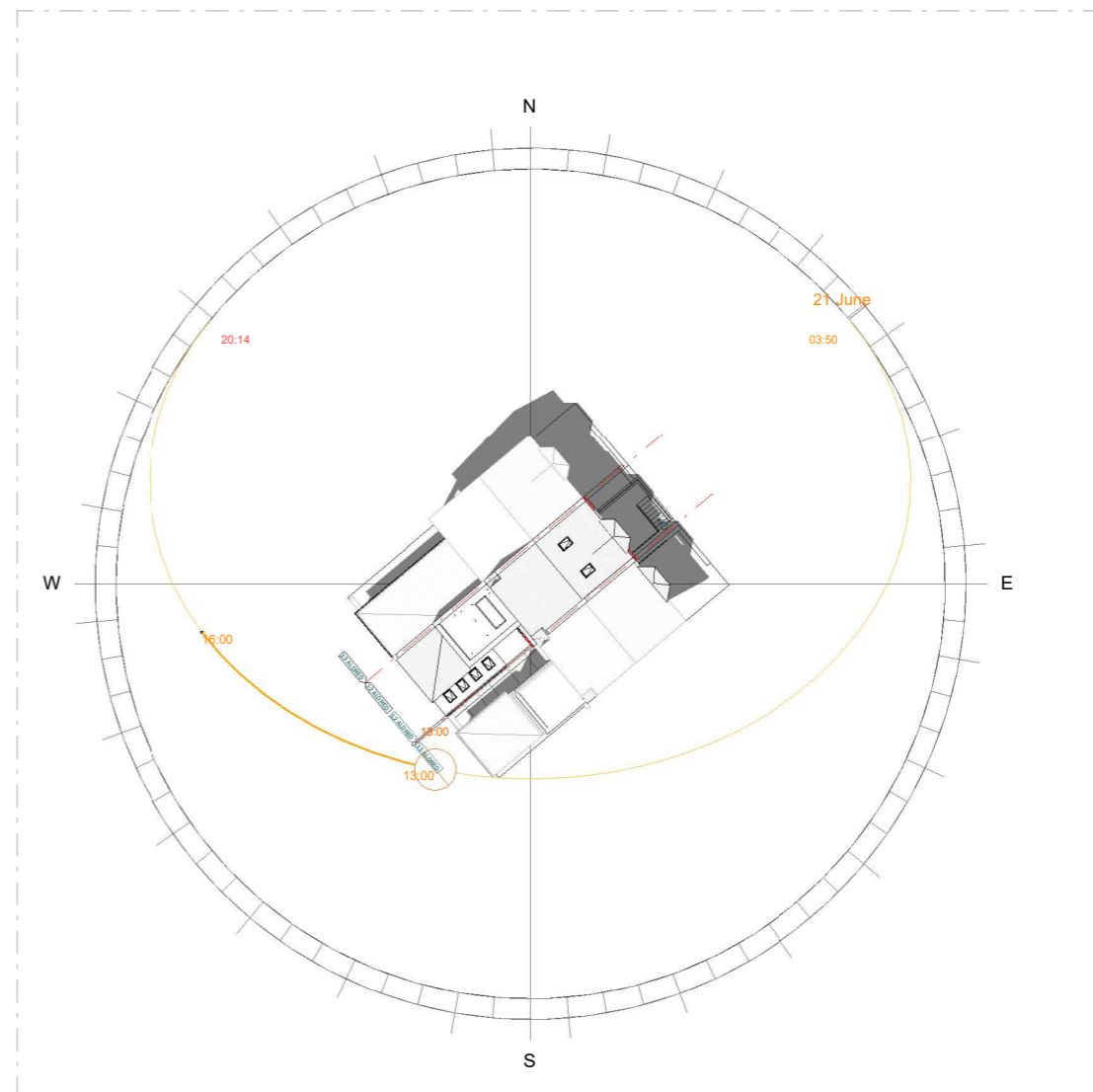


**EXISTING ROOF PLAN - SOLAR STUDY (SUMMER SOLTICE)**



**PROPOSED ROOF PLAN - SOLAR STUDY (SUMMER SOLTICE)**



3 River Reach, Gartons Way,  
Battersea  
London SW11 3SX  
Tel (0208) 288 8950 Fax (0871) 918 2798  
www.extensionarchitecture.co.uk

This drawing is prepared solely for design and planning submission purposes. It is not intended or suitable for either building regulations or construction purposes and should not be used for such. All dimension shall be check and confirmed with site rep. and any discrepancies between the drawings and site shall be reported to PM. This drawing to be read in conjunction with engineers specification and details. For construction information please refer to all drawings and specification of works.

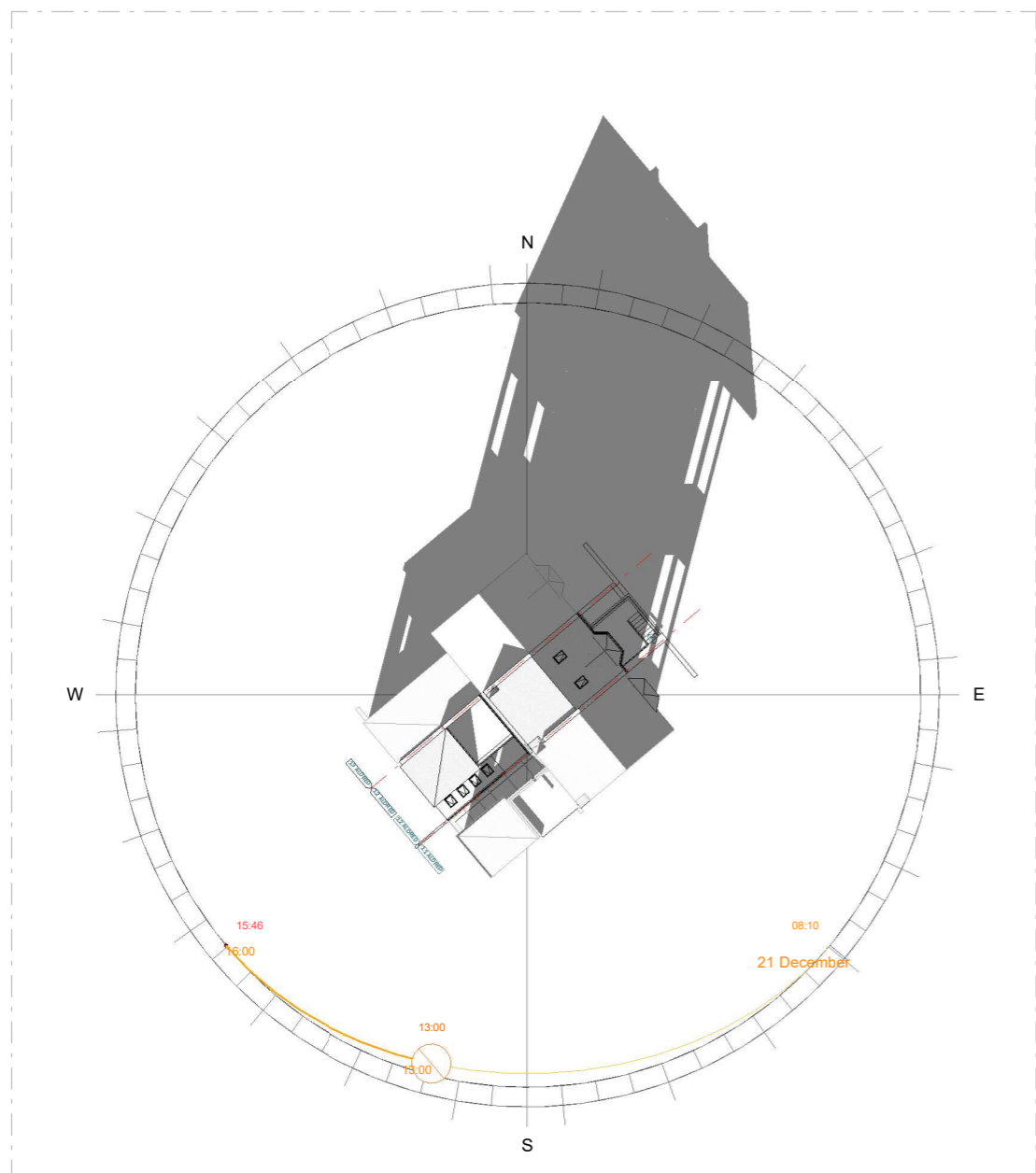
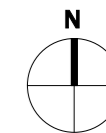
For any structural steelworks details please refer to structural engineer's drawings & calculations.

The copyright of the drawing and designs remains with Extension Architecture. All copies are only for information about the application, they may not be used for any other purpose without the express written permission of Extension Architecture.

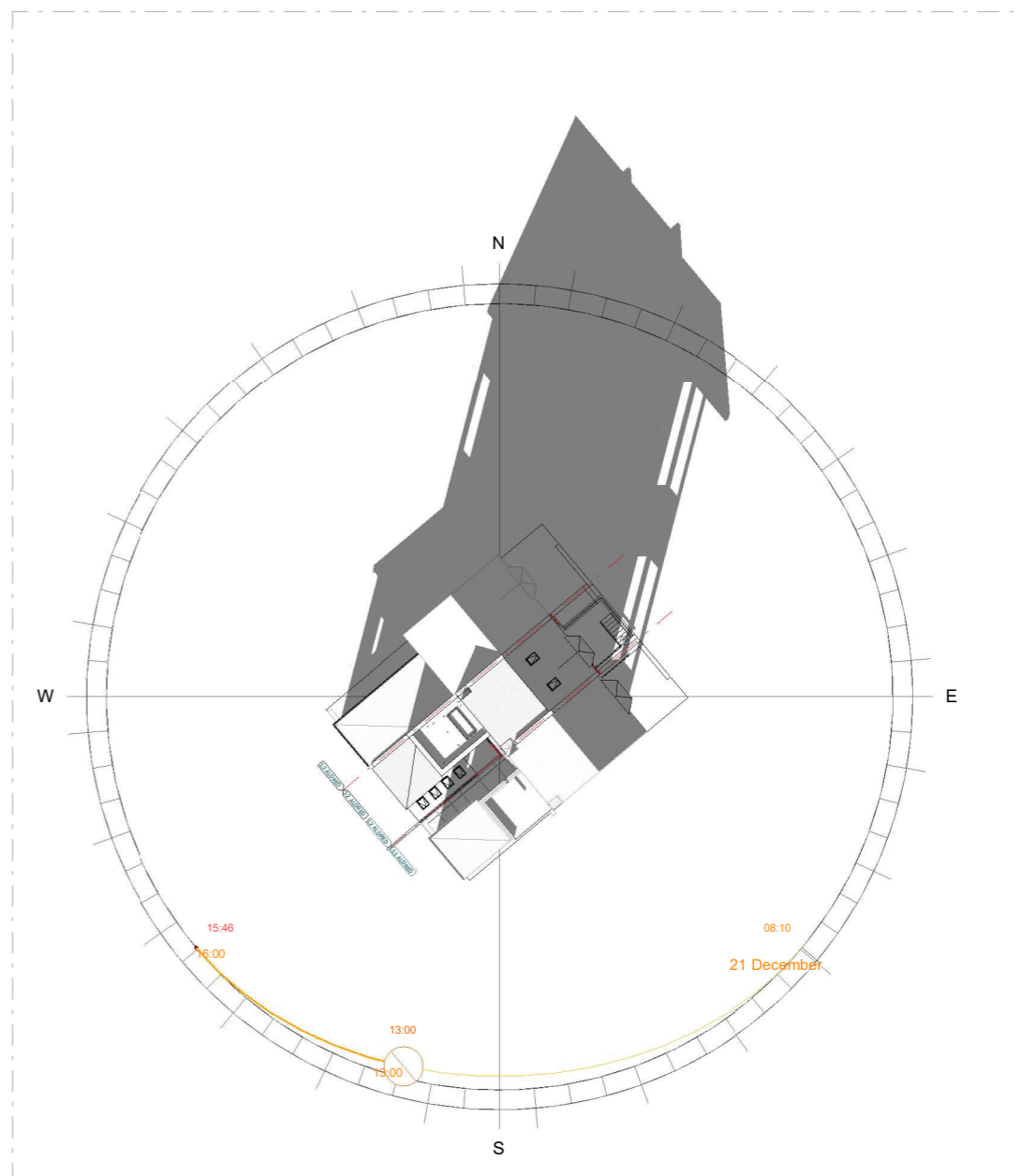
Scale 1:100  
@A3



CLIENT <b>Mina Dragojevic</b>	NOTES			SCALE <b>1 : 500</b>	DATE <b>22.02.2024</b>
PROJECT <b>12 Aldred Road, NW6 1AN</b>	VERSION	DESCRIPTION	DATE	DRAWN <b>ZG</b>	VERSION
TITLE <b>Solar Study (Summer Solstice)</b>				SHEET REF. NO <b>12AR -PL -13</b>	



**EXISTING ROOF PLAN - SOLAR STUDY (WINTER SOLTICE)**



**PROPOSED ROOF PLAN - SOLAR STUDY (WINTER SOLTICE)**



3 River Reach, Gartons Way,  
Battersea  
London SW11 3SX  
Tel (0208) 288 8950 Fax (0871) 918 2798  
www.extensionarchitecture.co.uk

This drawing is prepared solely for design and planning submission purposes. It is not intended or suitable for either building regulations or construction purposes and should not be used for such. All dimension shall be check and confirmed with site rep. and any discrepancies between the drawings and site shall be reported to PM. This drawing to be read in conjunction with engineers specification and details. For construction information please refer to all drawings and specification of works.

For any structural steelworks details please refer to structural engineer's drawings & calculations.

The copyright of the drawing and designs remains with Extension Architecture. All copies are only for information about the application, they may not be used for any other purpose without the express written permission of Extension Architecture.

Scale 1:100  
@A3



CLIENT <b>Mina Dragojevic</b>	NOTES			SCALE <b>1 : 500</b>	DATE <b>22.02.2024</b>
PROJECT <b>12 Aldred Road, NW6 1AN</b>	VERSION	DESCRIPTION	DATE	DRAWN <b>ZG</b>	VERSION
TITLE <b>Solar Study (Winter Solstice)</b>				SHEET REF. NO <b>12AR -PL -14</b>	