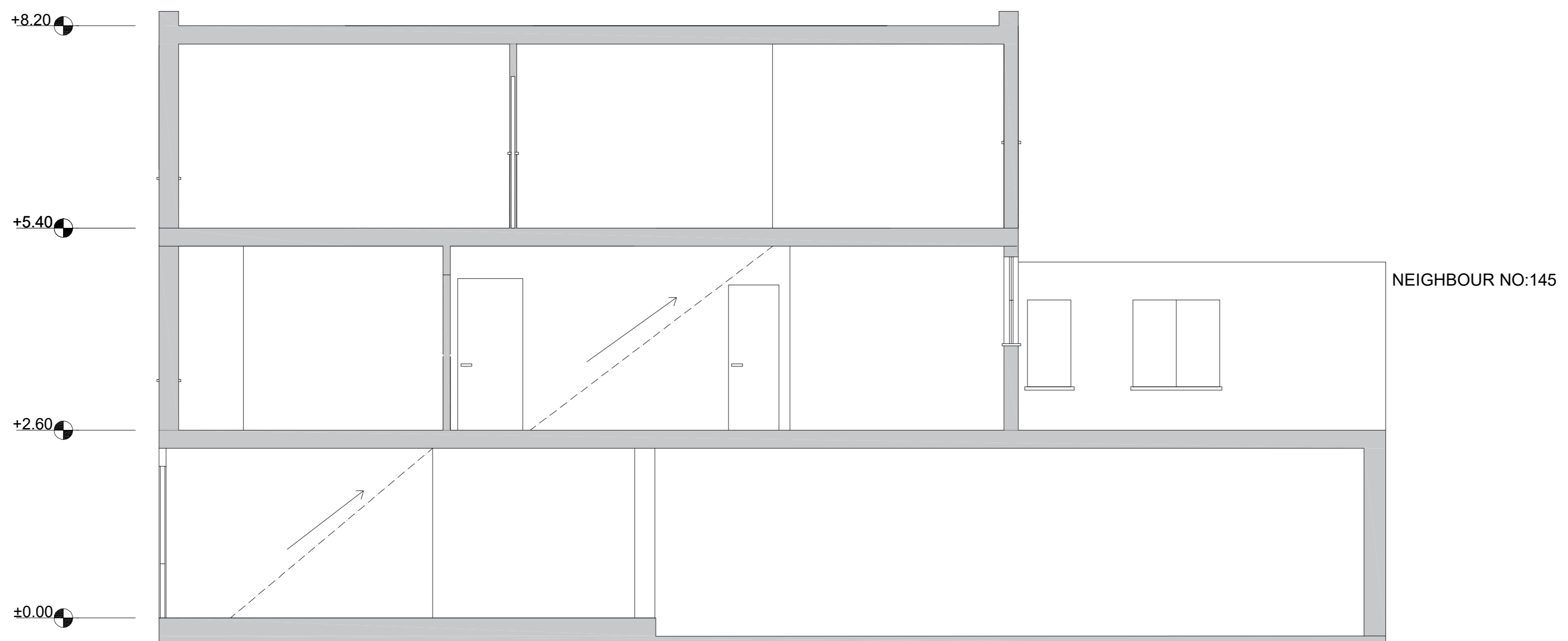
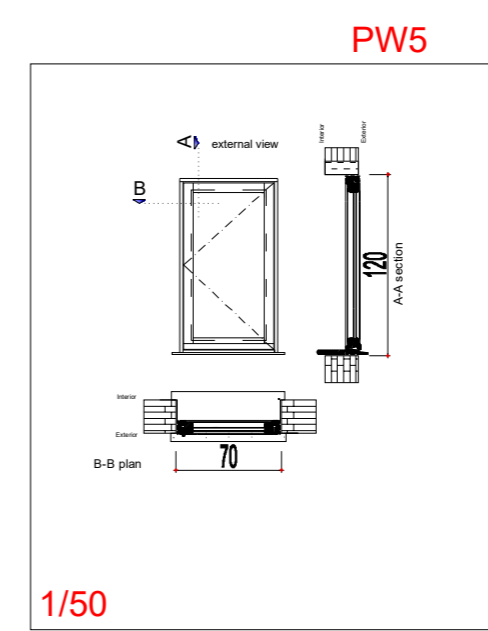
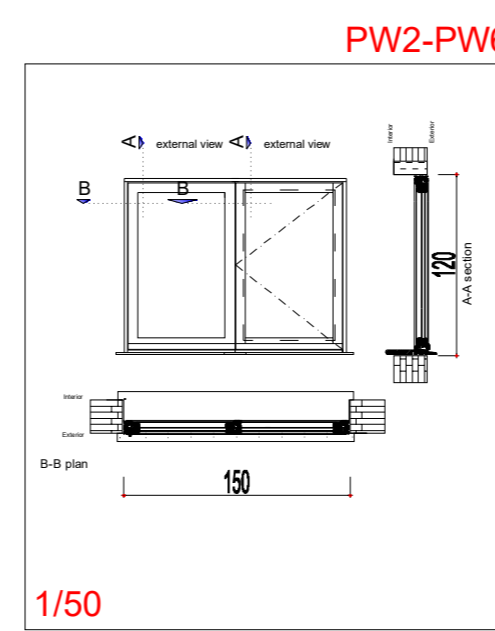
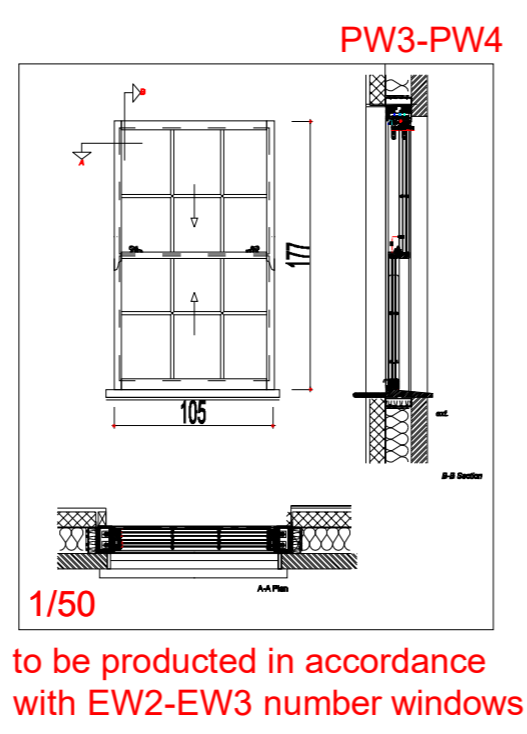
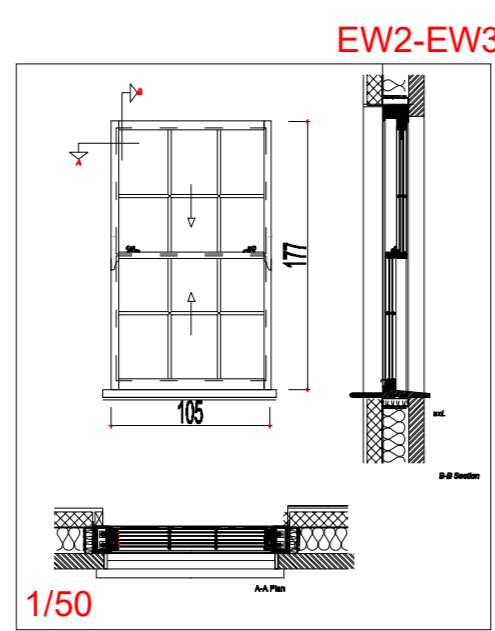
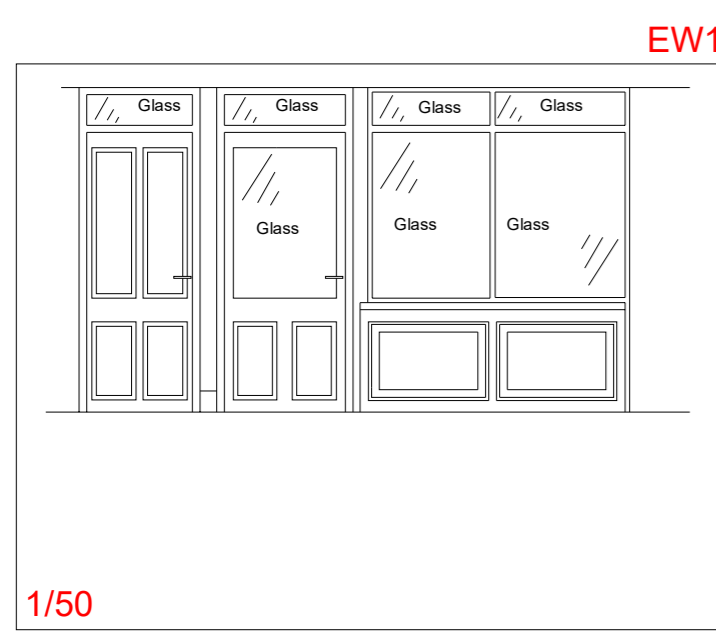


SECTION BB



SECTION AA



PROJECT:	147 HIGHGATE ROAD NWS 1LJ
DRAWING NO:	P_002_REV3
DRAWING TITLE:	PROPOSED SECTION BB, SECTION AA / WINDOW DETAILS
SCALE:	1/50
DATE:	29/06/2023
ITU STUDIO LTD itu.studio@gmail.com T : 07491258462 Ibrahim Turk	
URASTAR CONSTRUCTION LTD urastarconstruction@gmail.com T : 07963459155 Ahmet Erturk	