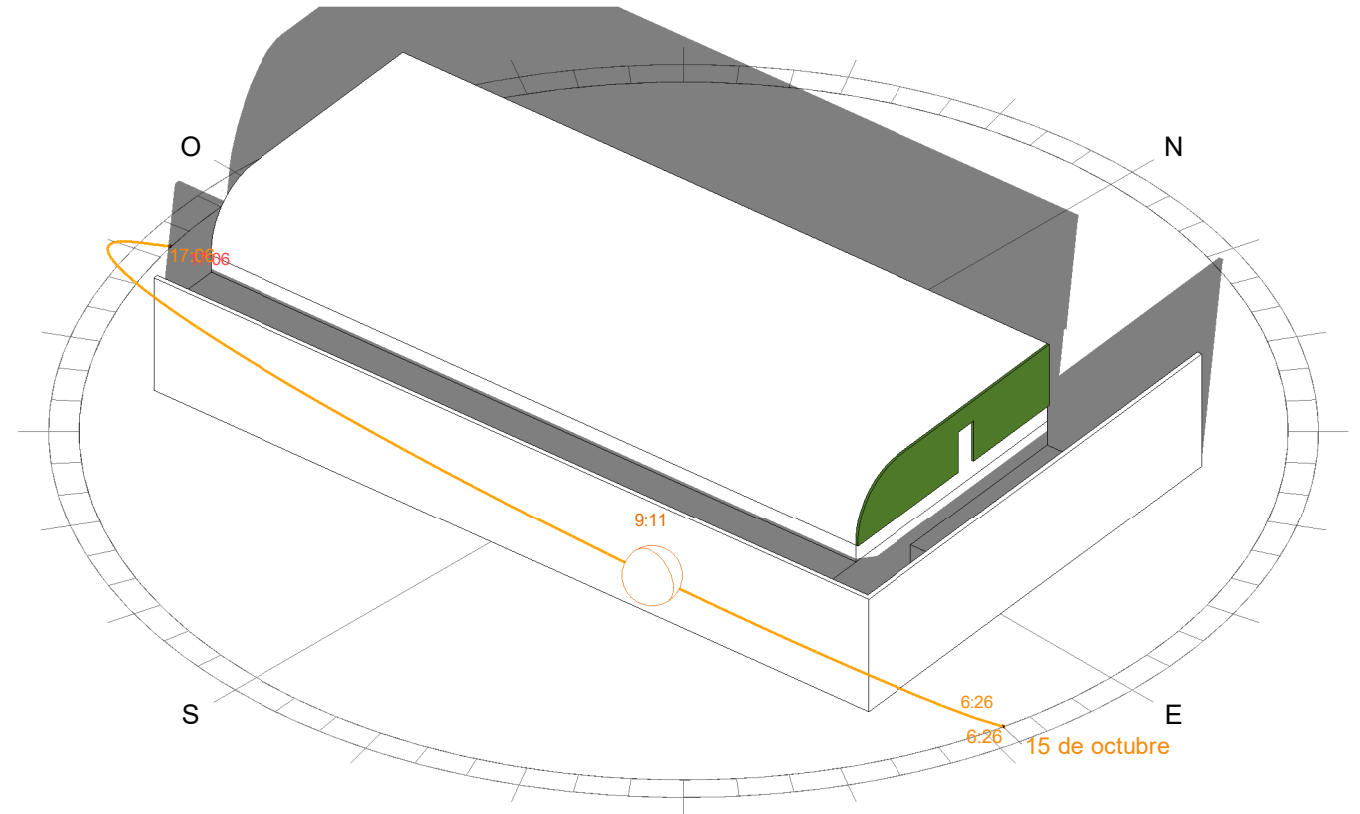
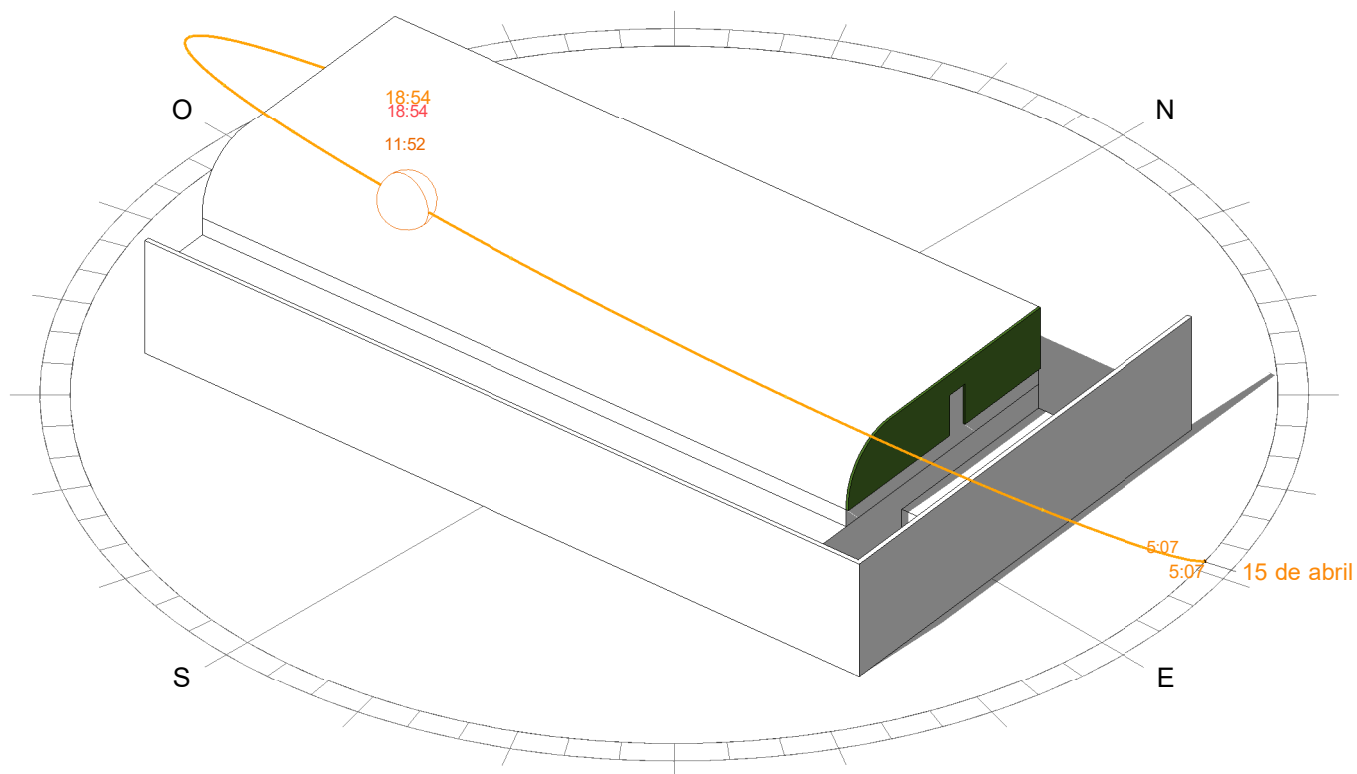


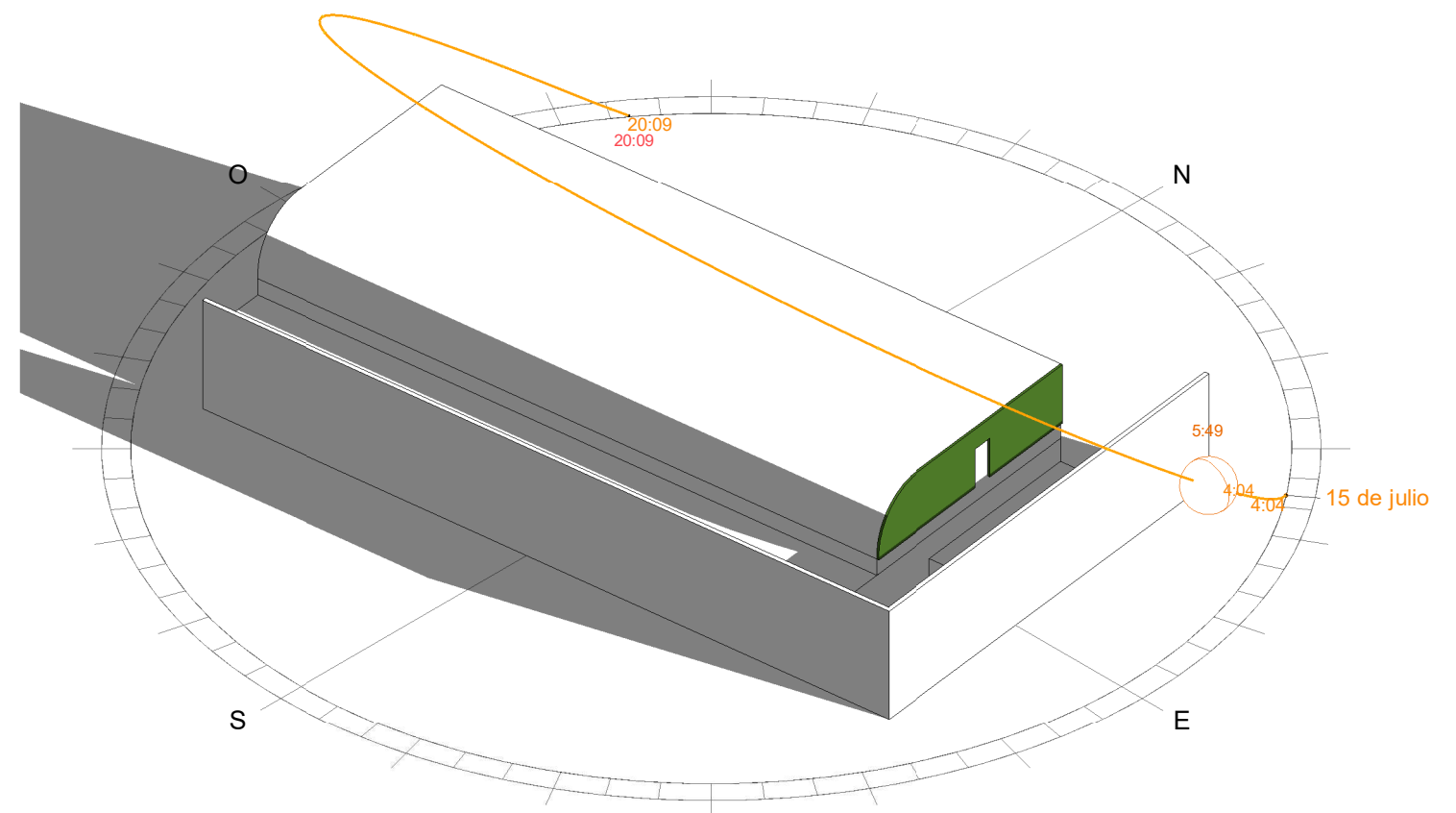
WINTER - 15th January, 11:03h



AUTUMN - 15th October, 9:11h





SPRING - 15th April, 11:52h



SUMMER - 15th July, 5:49h

CONCLUSIONS:

- The Living wall has east orientation.
- During the autumn and winter season the living wall will have around 4-5hours of early morning sun, getting full shade at 11:30h.
- During spring and summer season the living wall will have around 6-8hours of early morning sun, getting full shade at 12:00h.

CONSULTOR  Terapia Urbana		PROJECT HALL SCHOOL - SCOTSCAPE	
INSTALLER  Smartscape <small>Urban Greening Solutions</small>		DRAWING SUNLIGHT STUDY	
CODE INT24007	DRAWING NUMBER 01.01	VERSION V1	10/17/22 A3 E1-270