



VISTAFOLIA[®]

ARTIFICIAL GREEN WALLS

INSTALLATION GUIDE

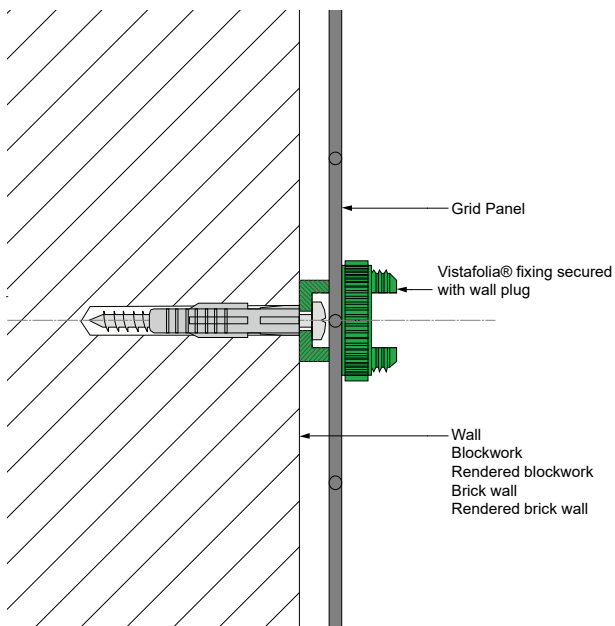
www.vistafolia.com

Copyright © 2020, Vistafolia Limited. All rights reserved.

INSTALLATION METHODS

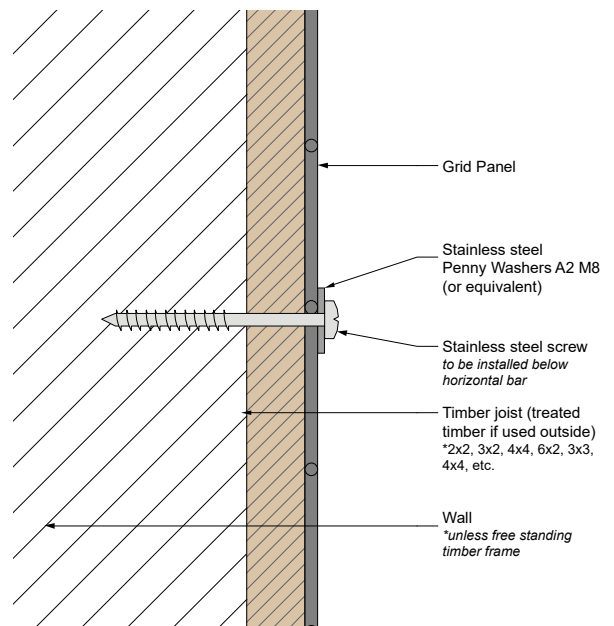
METHOD 1:

Brick/Block wall using Vistafolia® fixing



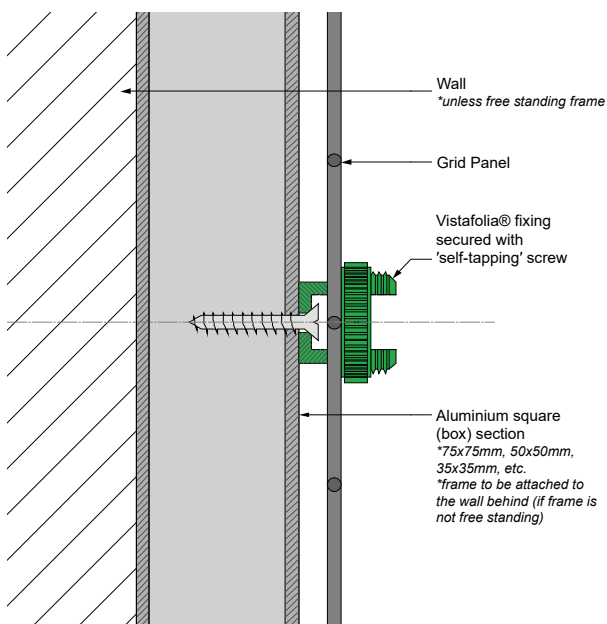
METHOD 2:

Timber frame using screw and washer



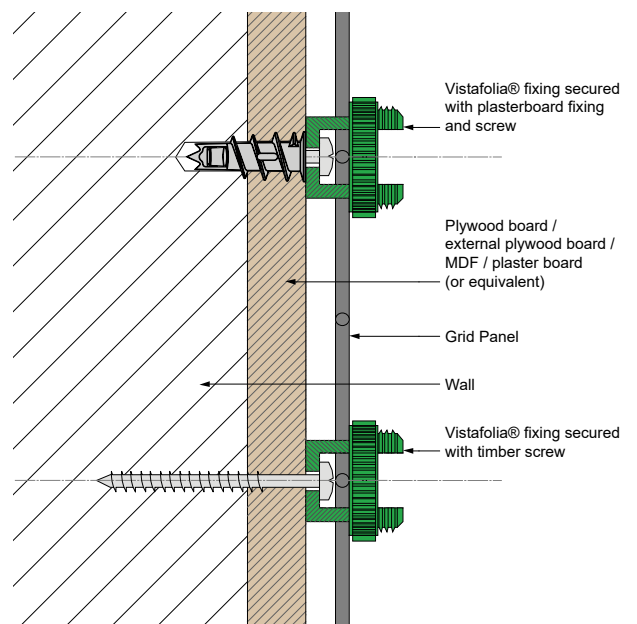
METHOD 3:

Aluminium (metal) bar



METHOD 4:

Plywood board / MDF / Plasterboard



6 EASY STEPS TO FOLLOW

QUICK & EASY INSTALLATION

Use the optional Vistafolia® Fixings for a neat and failsafe installation. Use 4 per panel.



The Vistafolia® Fixing System has been specifically designed to securely hold Vistafolia® Panels in the optimum position and to give the best result in a wide variety of applications.



www.vistafolia.com



Measure & mark



Drill the holes



Plug & screw the fixing



Attach the panel



Secure the fixing



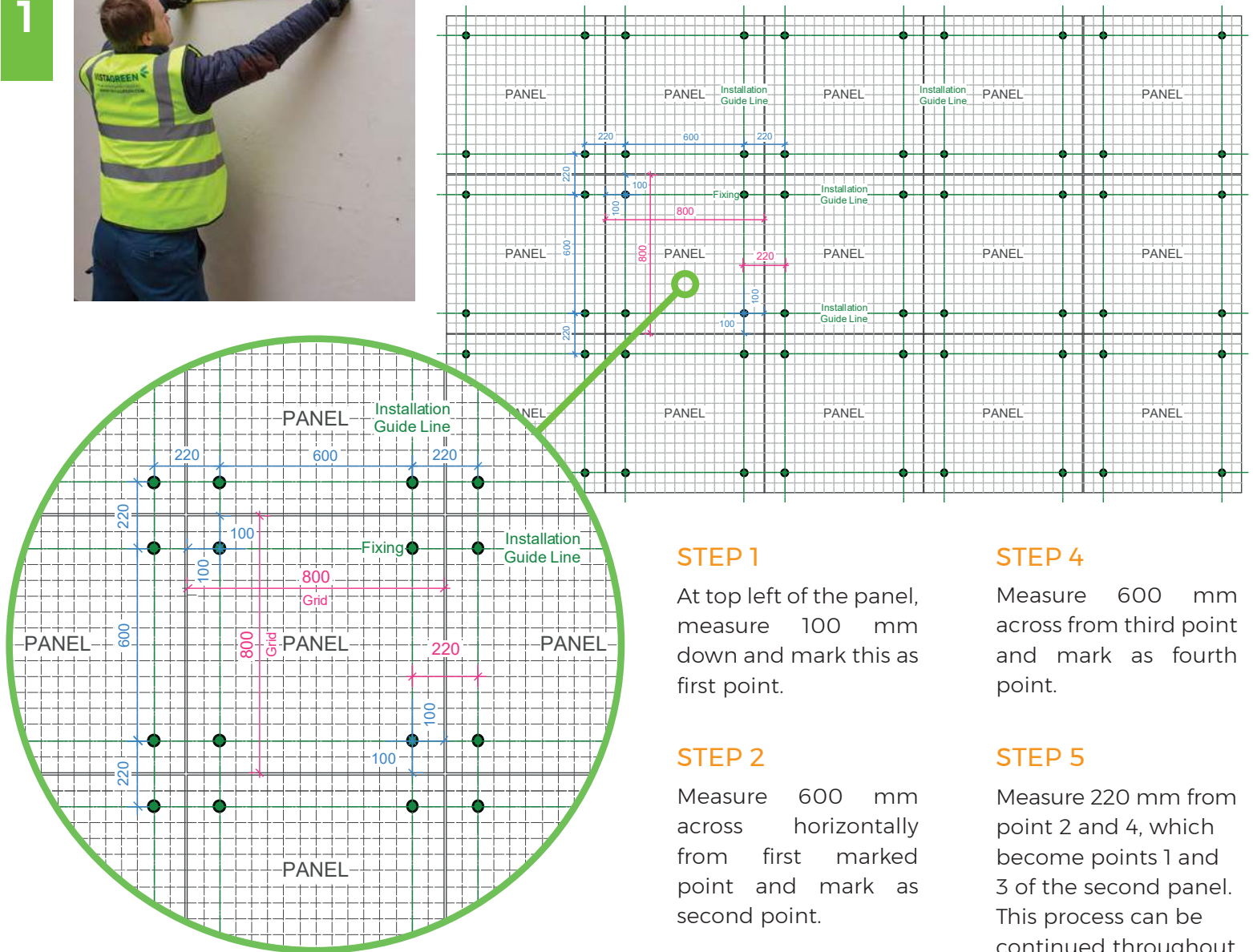
Ruffle & bend the foliage

FIXING LAYOUT

1



Measure and mark the holes in the wall.



The fixing should ideally be installed on the cross joint of the grid as shown on the diagram above; however, it is possible to secure the Vistafolia® Panels with fixings on the horizontal or vertical bars, with the latter being the least recommended option.

STEP 1

At top left of the panel, measure 100 mm down and mark this as first point.

STEP 2

Measure 600 mm across horizontally from first marked point and mark as second point.

STEP 3

Measure 600 mm down vertically from first marked point and mark as third point.

STEP 4

Measure 600 mm across from third point and mark as fourth point.

STEP 5

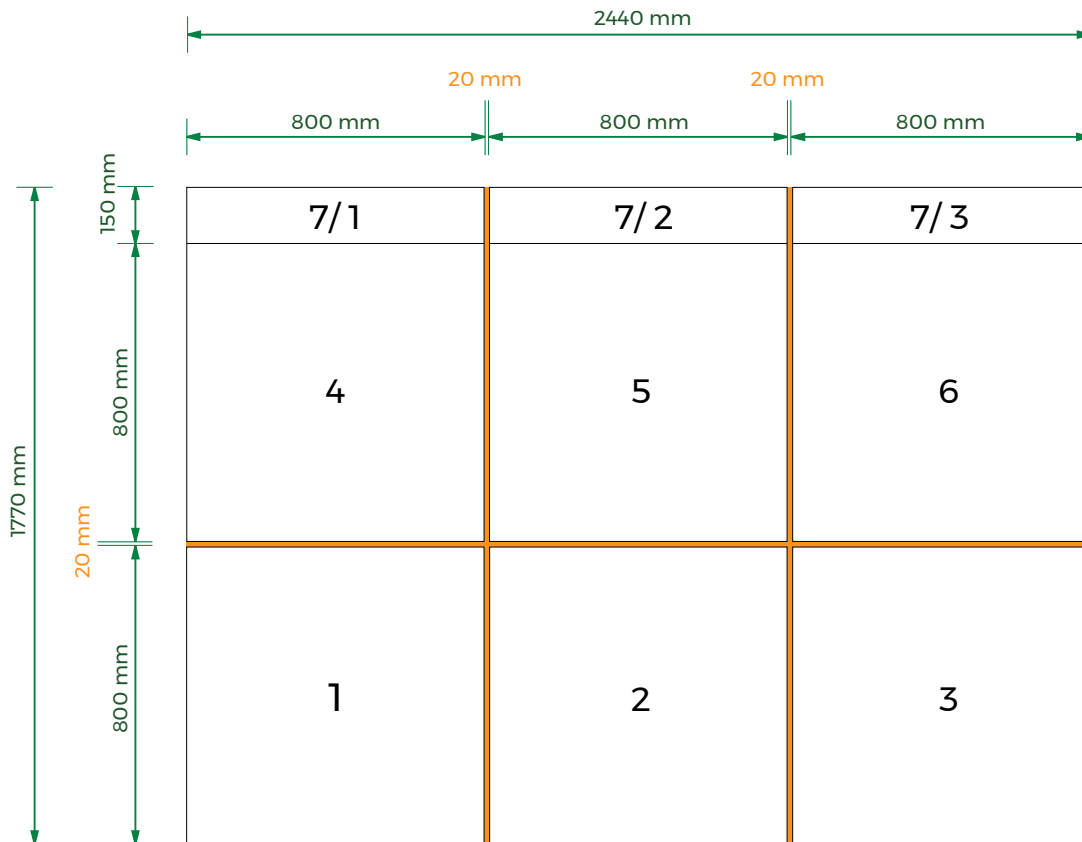
Measure 220 mm from point 2 and 4, which become points 1 and 3 of the second panel. This process can be continued throughout installation.

GAPS BETWEEN PANELS

We recommend to leave a gap between panels to allow for easier installation and to reduce bunching of foliage or joins.

The maximum gap between 2 panels can be : 20 mm = 2 cm

RECOMMENDED GAPS BETWEEN PANELS



NOTE: The overlap of the panels allows for up to an extra 20 mm between before the joins become noticeable. By spacing the panels slightly further apart we can ensure complete coverage of the area without needing extra panels.

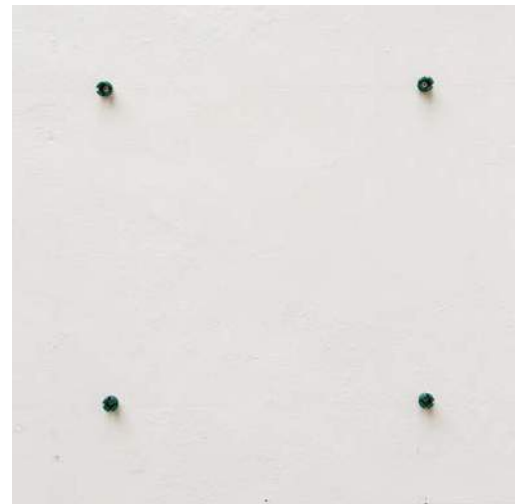
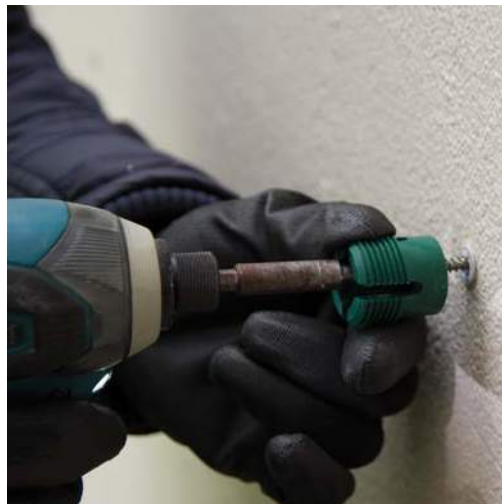
2

When all the holes from the fixing layout have been marked, drill them. Then, insert the grey rawlplug in each hole.



3

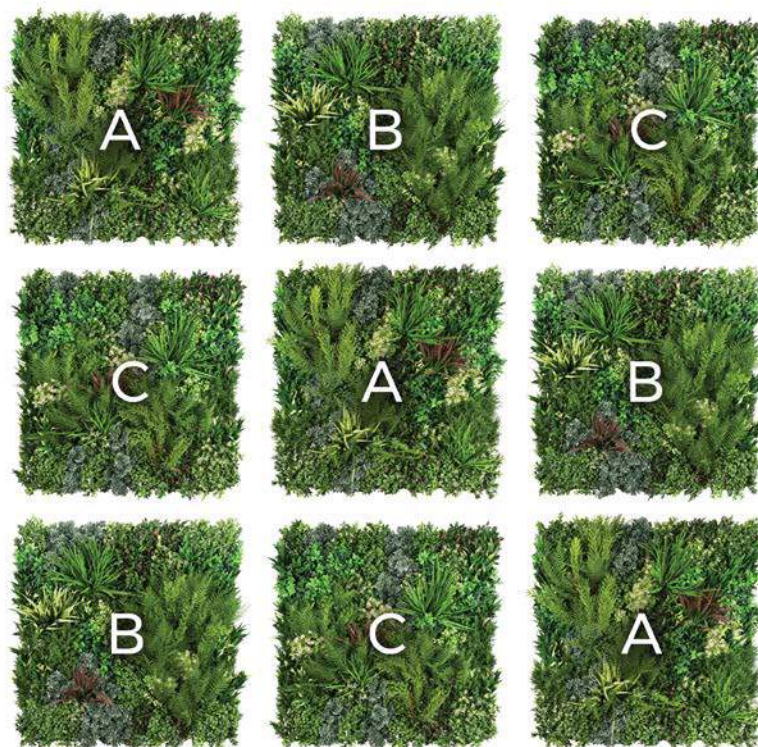
Plug in the fixings and screw the fixings in (not too tight). Use 4 fixings per panel, one in each corner.



4 Attach the panel to the fixings.



Make sure you mix the panels so you don't have the same panel against to another.



5

Plug in the fixing and secure the top cap of the fixing, turning clockwise until tight.



6

Place panels side by side. Spend some time ruffling and bending the foliage for a natural look.





VISTAFOLIA®

ARTIFICIAL GREEN WALLS

HEAD OFFICE / R&D FACILITY:

Vistafolia Ltd.

Unit 6 Trade City, Lyon Way,
Frimley, Camberley, Surrey
GU16 7AL United Kingdom

Tel: +44 (0)20 7385 1020

Email: info@vistafolia.com

Follow us:



www.vistafolia.com