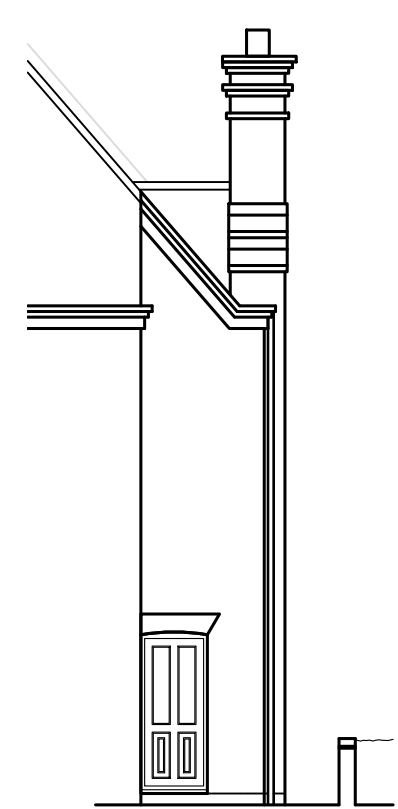


FOR CONSTRUCTION PURPOSES DO NOT SCALE FROM THIS DRAWING. ALL DIMENSIONS TO BE CHECKED ON SITE. ANY DISCREPANCIES MUST BE REPORTED TO THE ARCHITECT FOR VERIFICATION PRIOR TO COMMENCEMENT OF THE EFFECTED WORKS. IF IN DOUBT ASK. THIS DRAWING IS COPYRIGHT.

Rev No	Date	Revision note
P1	11/10/23	Preliminary Issue

A  
B  
C  
D  
E  
F

A  
B  
C  
D  
E  
F



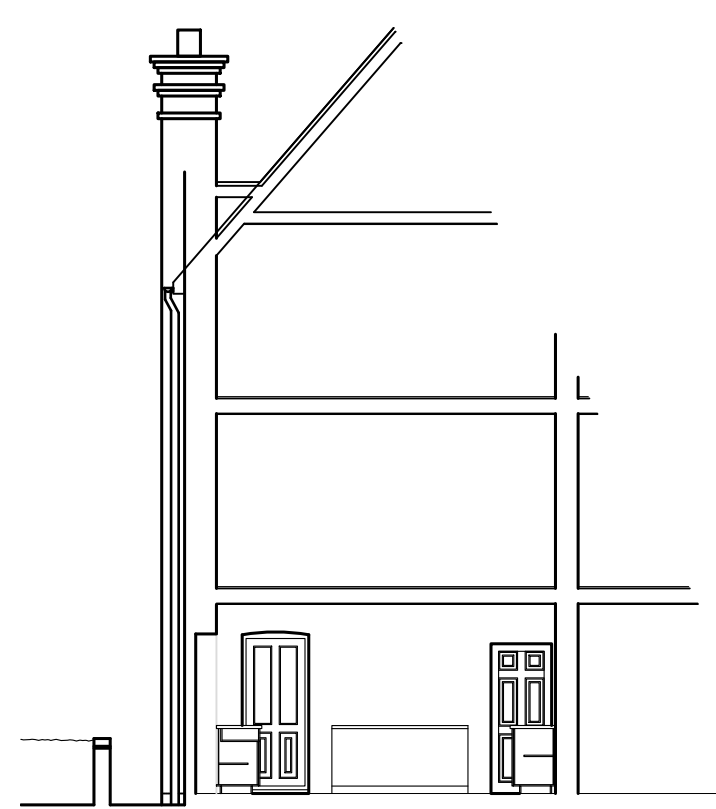
EXISTING SIDE ELEVATION



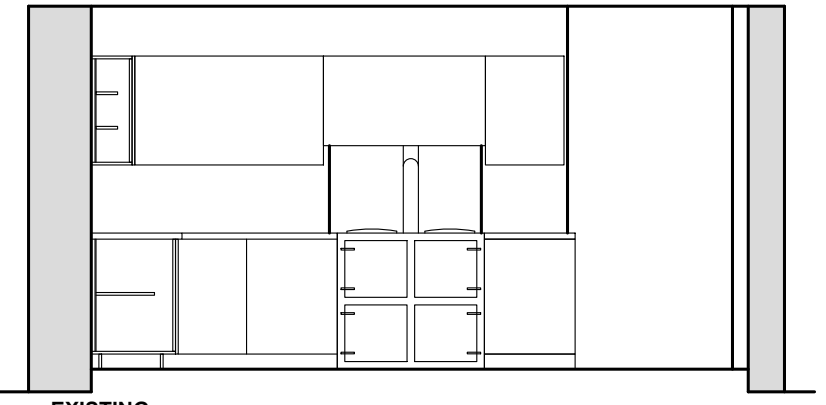
EXISTING REAR ELEVATION



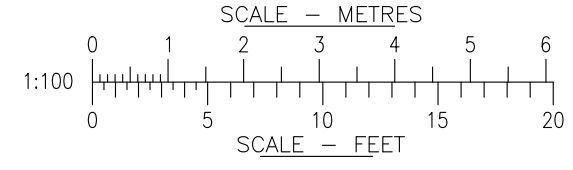
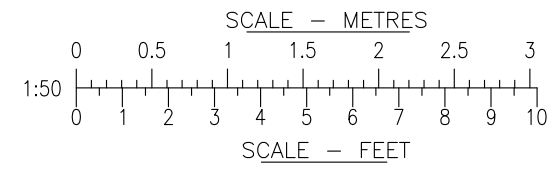
EXISTING SIDE ELEVATION



EXISTING SECTION AA



EXISTING ELEVATION bb



BROOK HOUSE  
54A COWLEY MILL ROAD  
UXBRIDGE UB8 2FX  
TEL: (01895) 272 446  
FAX: (01895) 272 483  
EMAIL: admin@jpbarchitects.co.uk

JOB TITLE  
9 St Katharines Precinct  
London  
NW1 4HH

DRG TITLE  
Existing  
Elevations and Section

SCALE @ A3	DATE	
1:100/50	Oct '23	
JOB NO.	DRG NO.	REV
11245	115	P1

1 2 3 4 5 6 7 8