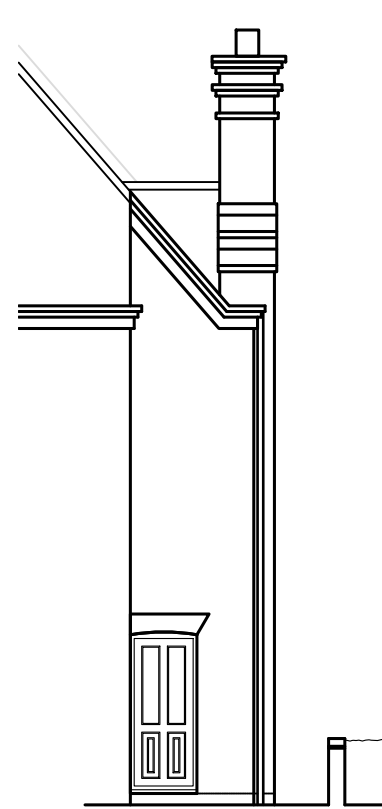


FOR CONSTRUCTION PURPOSES DO NOT SCALE FROM THIS DRAWING. ALL DIMENSIONS TO BE CHECKED ON SITE. ANY DISCREPANCIES MUST BE REPORTED TO THE ARCHITECT FOR VERIFICATION PRIOR TO COMMENCEMENT OF THE EFFECTED WORKS. IF IN DOUBT ASK. THIS DRAWING IS COPYRIGHT.

Rev No	Date	Revision note
P1	11/10/23	Preliminary Issue



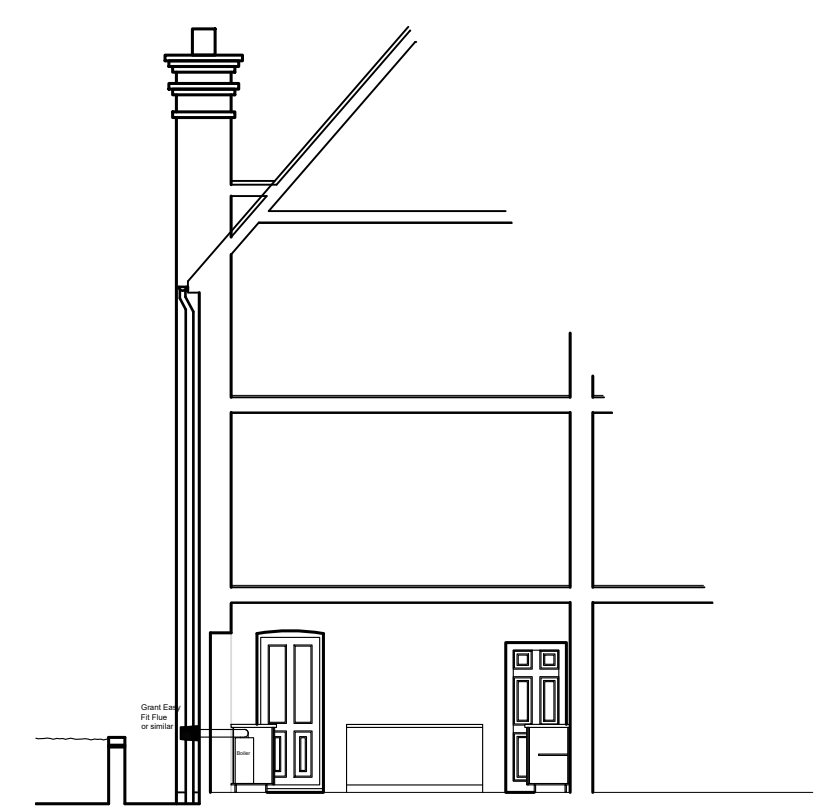
PROPOSED SIDE ELEVATION



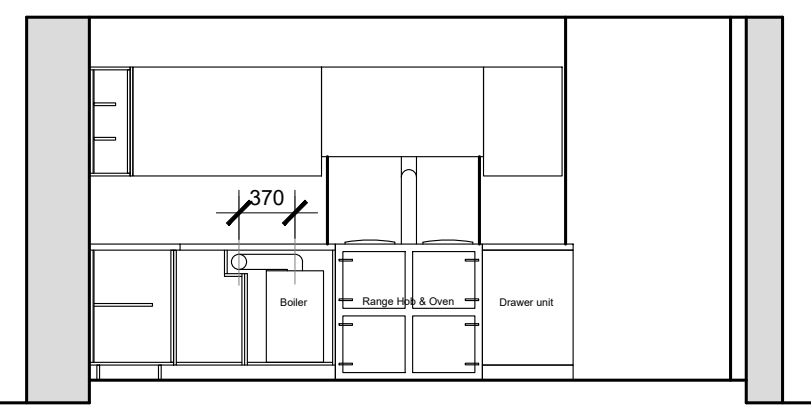
PROPOSED REAR ELEVATION



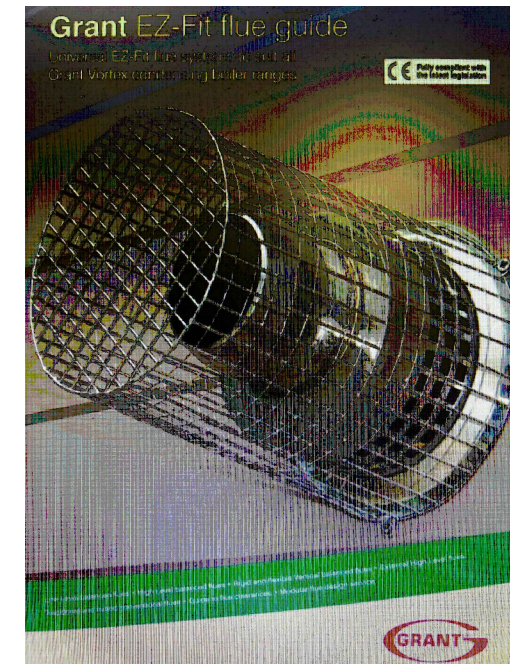
PROPOSED SIDE ELEVATION



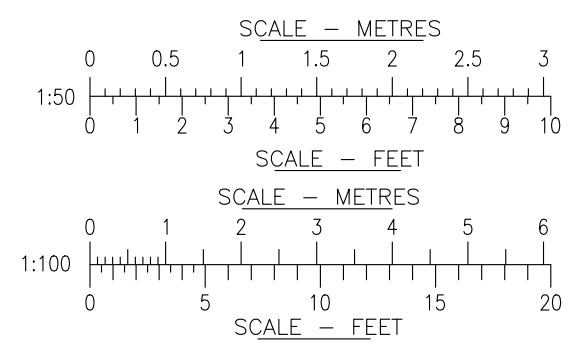
PROPOSED SECTION AA



PROPOSED ELEVATION bb



Grant easy fit flue



BROOK HOUSE
54A COWLEY MILL ROAD
UXBRIDGE UB8 2FX
TEL: (01895) 272 446
FAX: (01895) 272 483
EMAIL: admin@jpbarchitects.co.uk

JOB TITLE		9 St Katharines Precinct London NW1 4HH	
DRG TITLE		Proposed Elevations and Section	
SCALE @ A3	DATE		
1:100/50	Oct '23		
JOB NO.	DRG NO.	REV	
11245	215	P1	