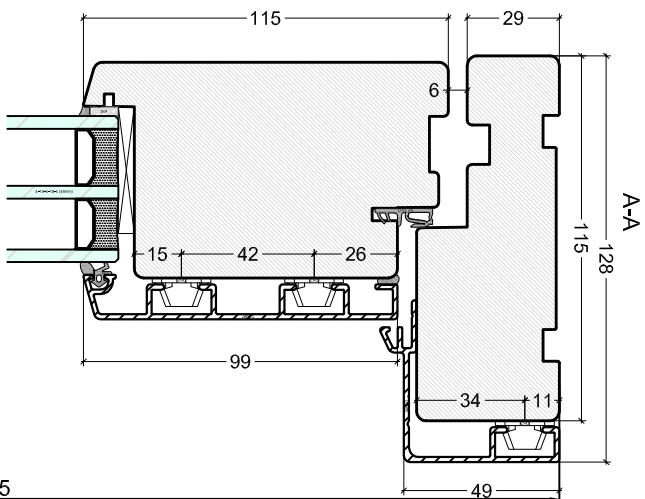
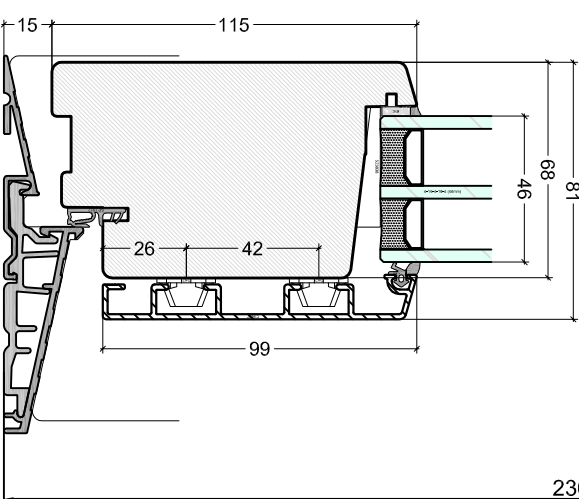
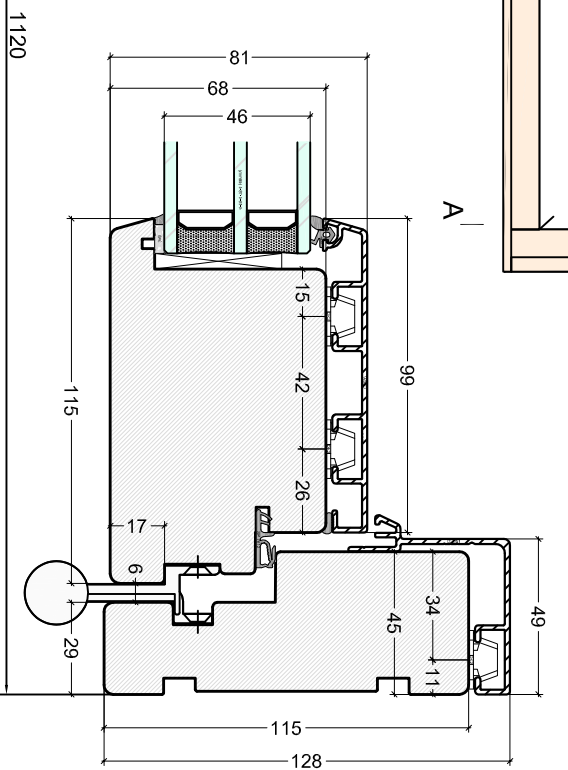
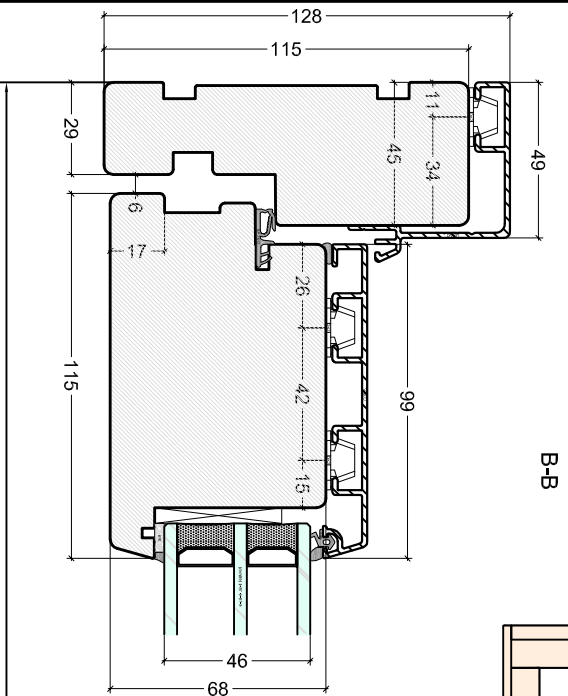
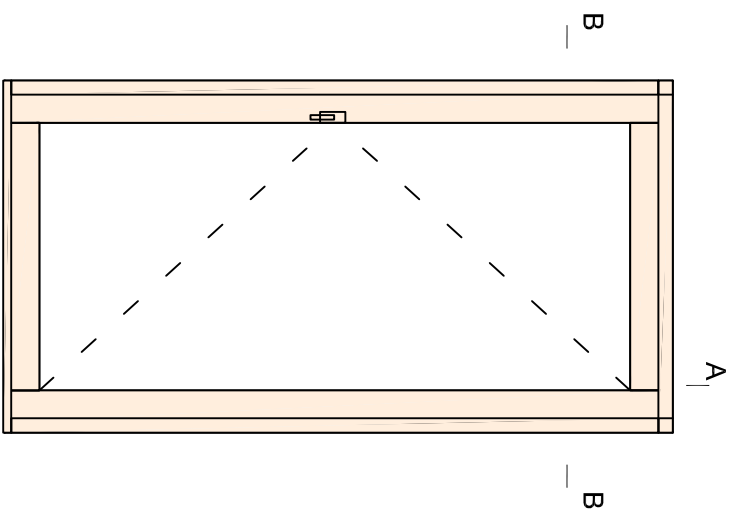


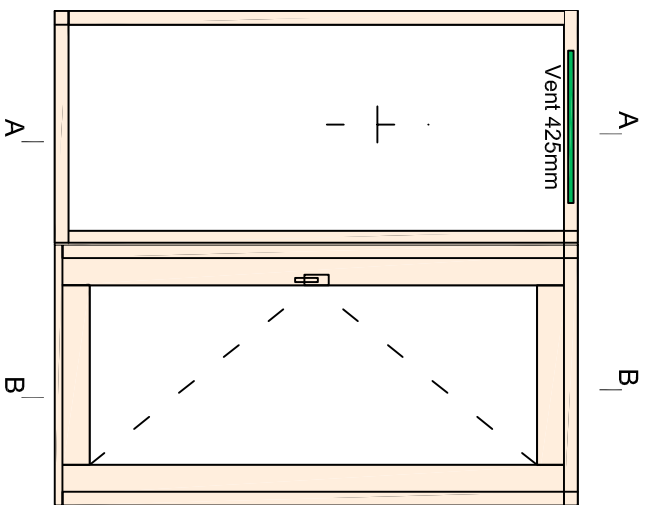
- View from inside;
- SCA 68 ALU system;
- U-value: 0,9W/m²K;
- Approx weight: 113kg;
- Rw+Ctr 38;
- Internal finish RAL9010;
- External finish RAL8014;
- Glazing unit: 46mm,
- 44.2XN-14Ar-4-14Ar-6XNGr,
- Spacer CHR RAL9005.



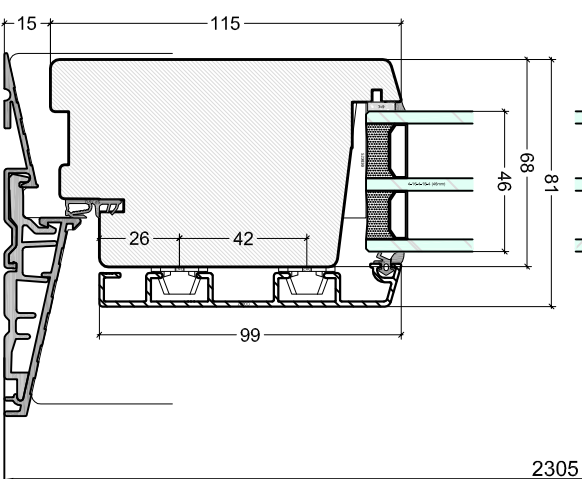
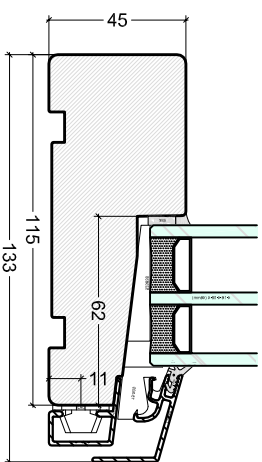
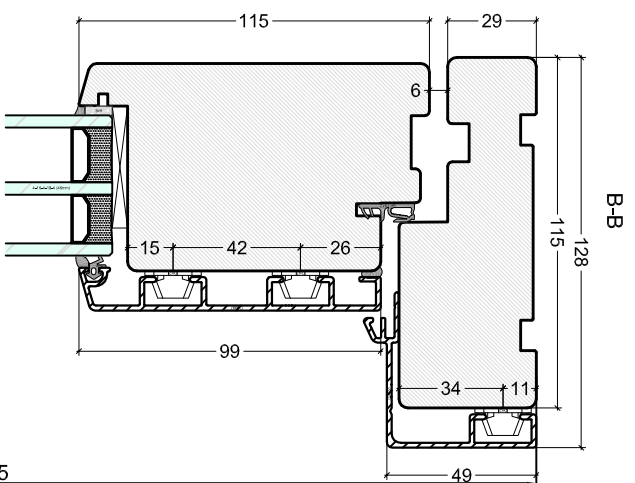
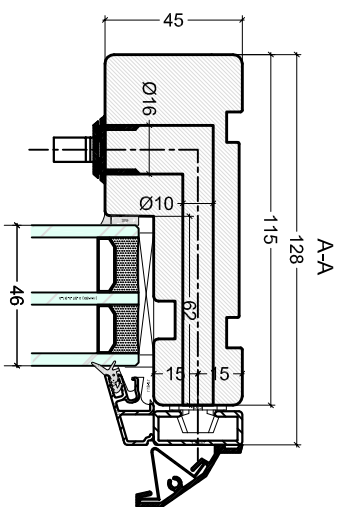
Type6 - 1 pcs




Atestāto Nr.						
Materiāls	Brāzīte	A.Valciņkauskas	23-09-26	23-0724 (DP-033-4)		
	Tīkriņo	-				
	Prīēmē	-				
Etapas	***					
ND					Lapas	1
					Lapu	3



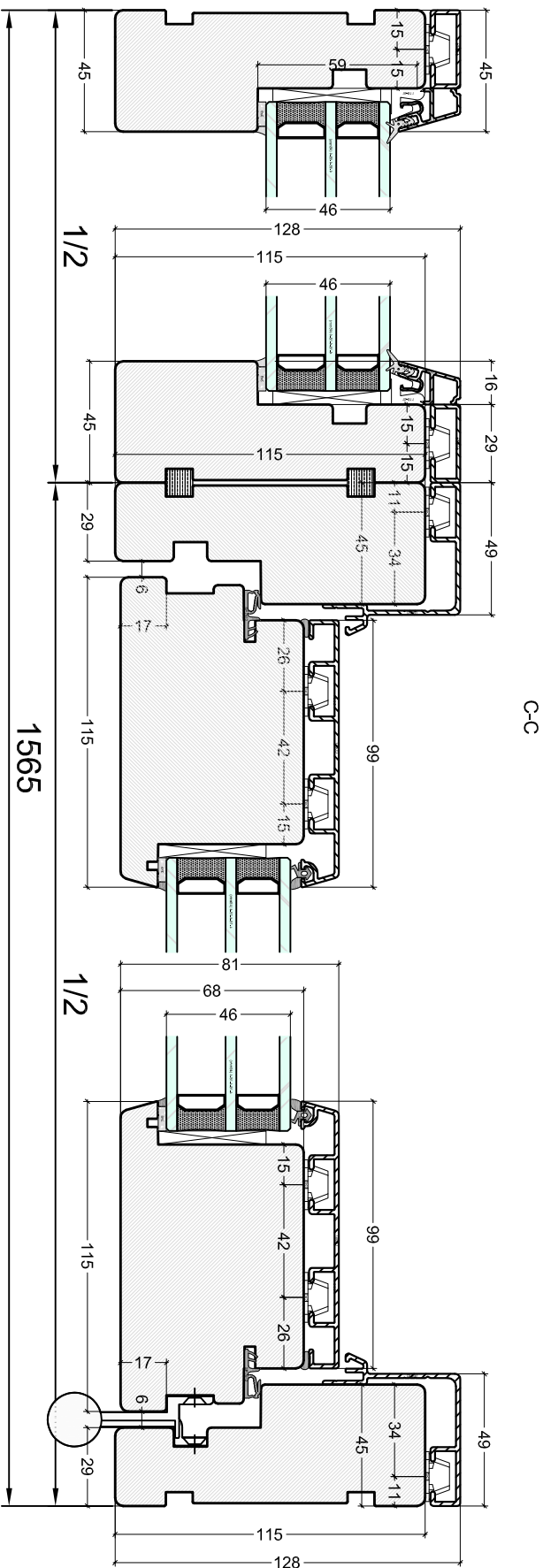
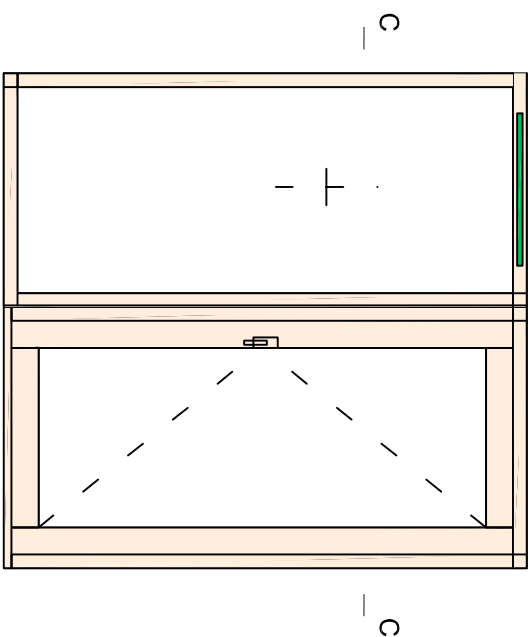
- View from inside;
- SCA 68 ALU system;
- U-value: 0,92W/m2K;
- Approx weight: 161kg;
- Rw+Ctr 38;
- Internal finish RAL9010;
- External finish RAL8014;
- Glazing unit: 46mm,
- 44.2XN-14Ar-4-14Ar-6XNGr,
- Spacer CHR RAL9005.




2305

Atestāto Nr.				Type7 - 1 pcs	
-					
Materiāls	Brāzīš	A.Valciņkauskas	23-09-26	23-0724 (DP-033-4)	
	Tīkums	-			
	Prīemē	-		Lapaš Lapu	
Etapas	***				
ND				2	3

- View from inside;
- SCA 68 ALU system;
- U-value: 0,92W/m²K;
- Approx weight: 161kg;
- Rw+Ctr 38;
- Internal finish RAL9010;
- External finish RAL8014;
- Glazing unit: 46mm,
- 44.2XN-14Ar-4-14Ar-6XNGr,
- Spacer CHR RAL9005.



Atestavio Nr.				Type7 - 1 pcs	
-					
Mastelis	Branzė	A.Vaičekauskas	23-09-26	23-0724 (DP-033-4)	Laidė
	Tikrino	-			-
	Priėmė	-			-
Etapas	***				Lapas
ND					3
					Lapų
					3