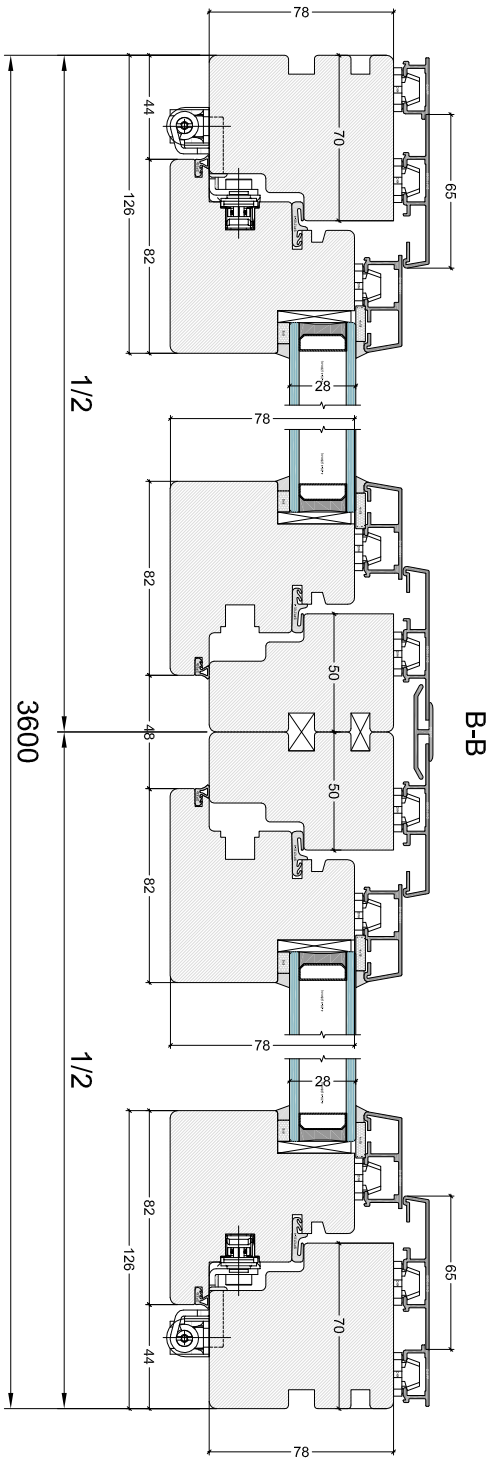
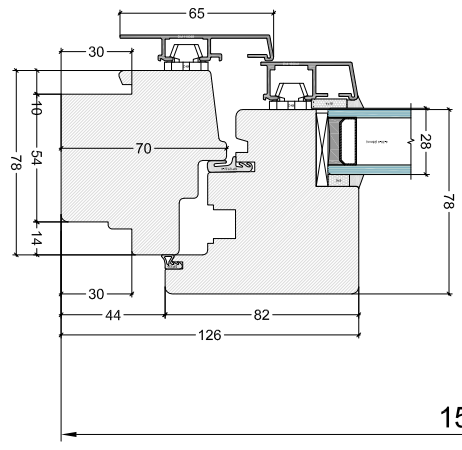
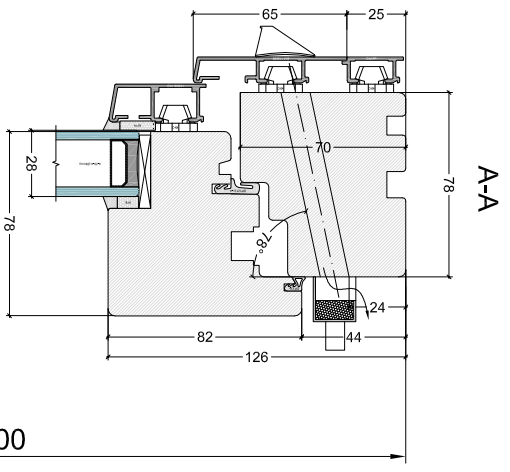
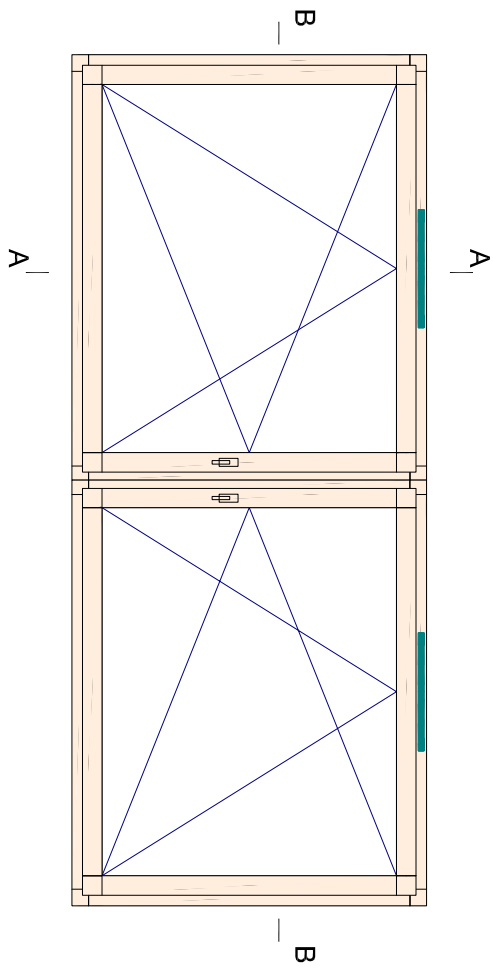



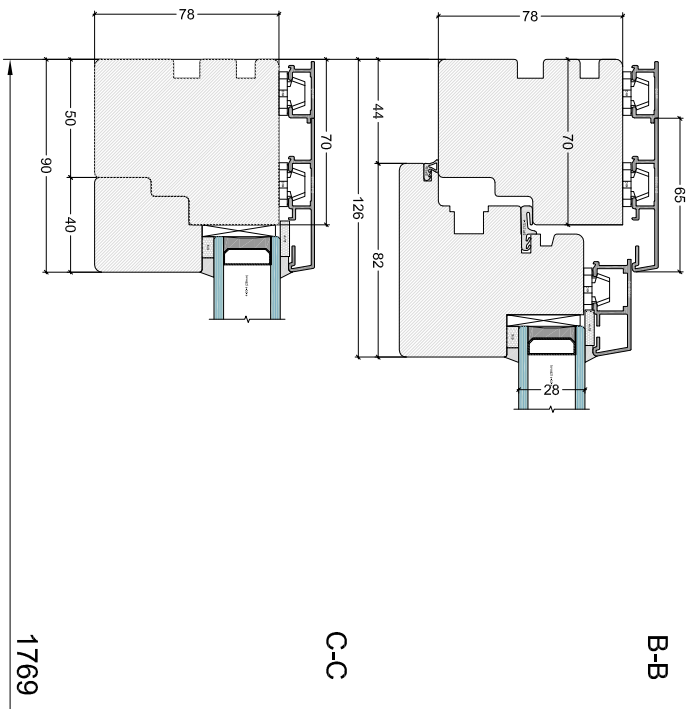
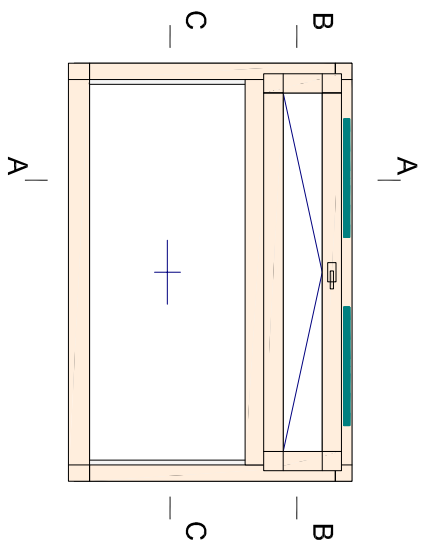
- View from inside;
- Doleta Modern 10 system;
- U-value: 1,18W/m<sup>2</sup>K;
- Approx weight: 181kg;
- Rw+Ctr 38;
- Internal finish RAL \*\*\*\*\*;
- External finish RAL \*\*\*\*\*;
- Glazing unit: 28mm, 33,2XN-18A-4Gr, Spacer SWU RAL9005.



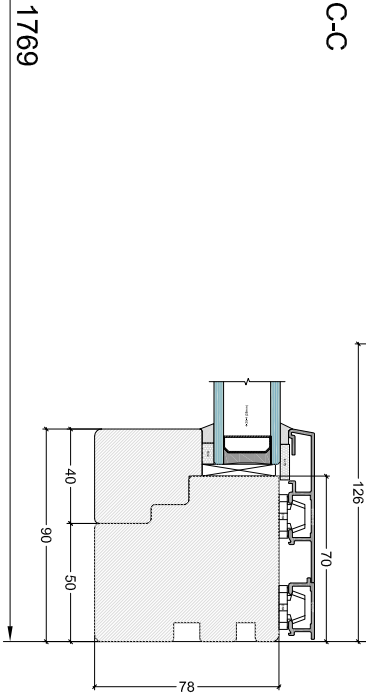
1/2 3600 1/2

Atestatio Nr.				W1	
-				Doleta Modern 10	
Materiál	Bravžé	Kazern			
	Tlikno	-			
Etapas	Prísmé	-			
ND	***				
			Lapas	Lapu	Lada
			1	4	-

- View from inside;
- Doleta Modern 10 system;
- U-value: 1,34W/m<sup>2</sup>K;
- Approx weight: 79kg;
- Rw+Ctr 38;
- Internal finish RAL \*\*\*\*;
- External finish RAL \*\*\*\*;
- Glazing unit: 28mm,
- 44.2-14Ar-6XN,
- 33.2XN-18Ar-4Gr,
- Spacer SWU RAL9005.

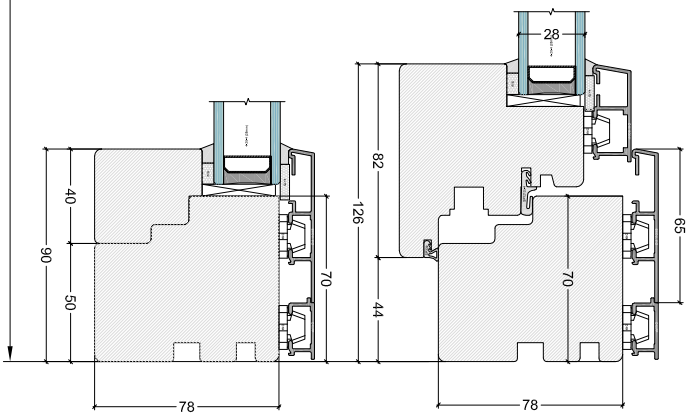


B-B

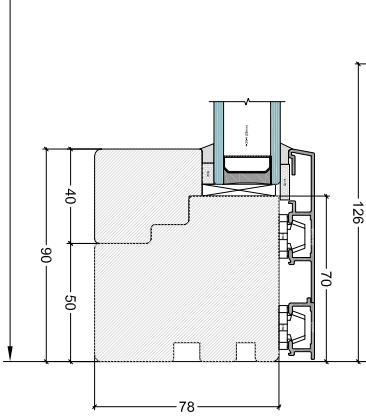


C-C

1769

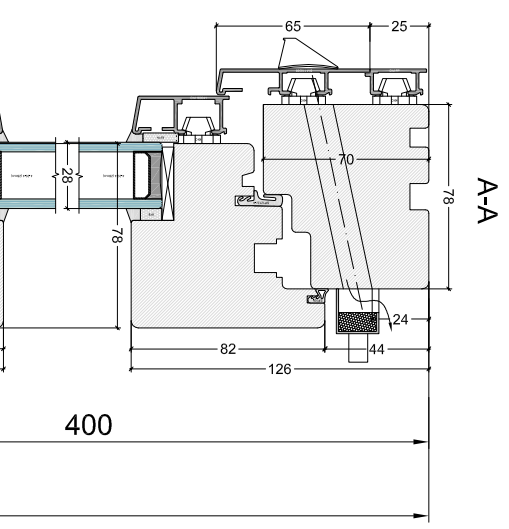


B-B

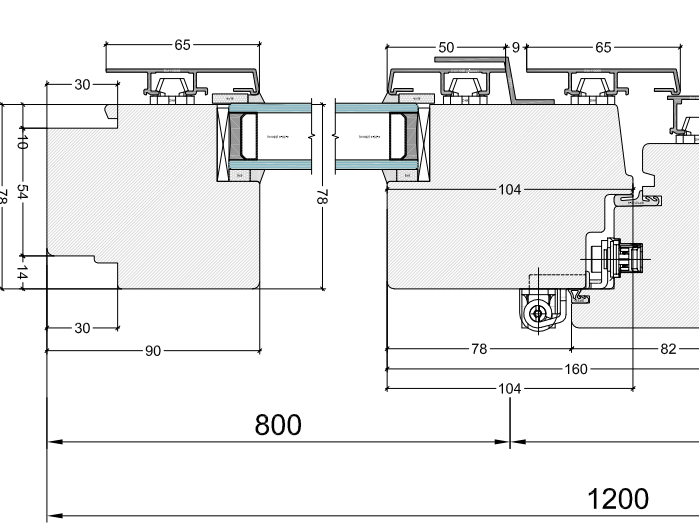


C-C

1769

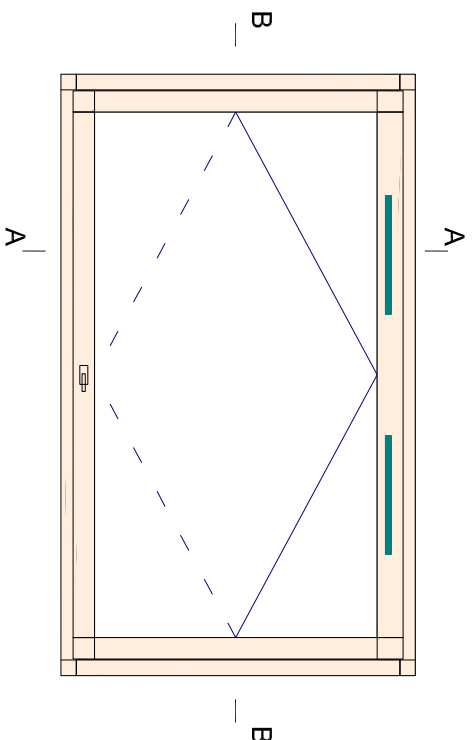


A-A

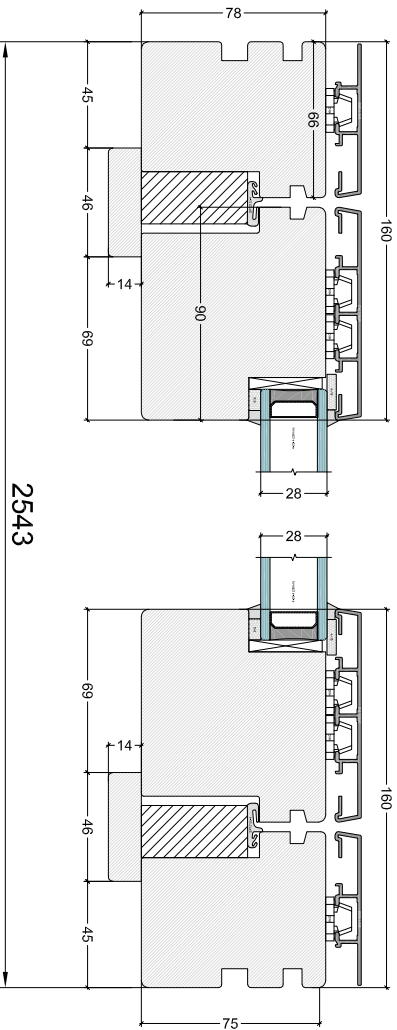


Atestācija Nr.				W5	Doleta Modern 10		Laiņa
Masveids	Brāzē	Karzem					
	Tīkino	-					
Etapas	Prismē		***			Lapas	Lapu
ND						2	4

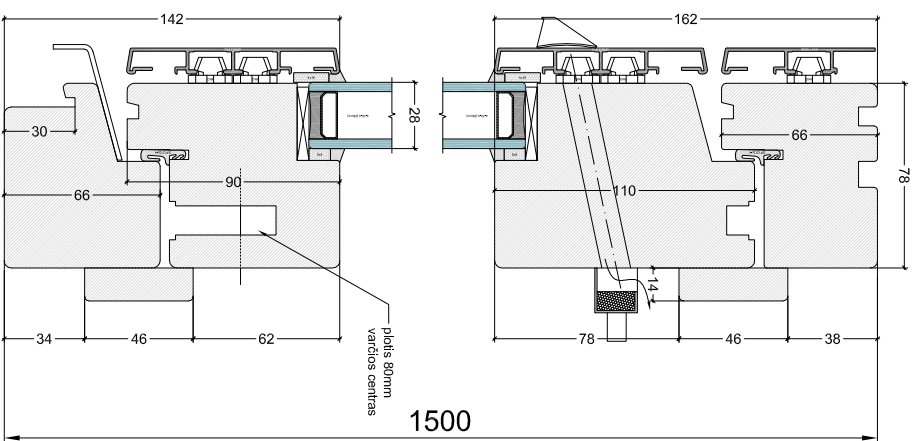
- View from inside;
- Doleta Modern 10 system;
- U-value: 1,17W/m2K;
- Approx weight: 122kg;
- Rw+Ctr 38;
- Internal finish RAL \*\*\*\*\*;
- External finish RAL \*\*\*\*\*;
- Glazing unit: 28mm,
- Spacer SWU RAL9005.




**B-B**



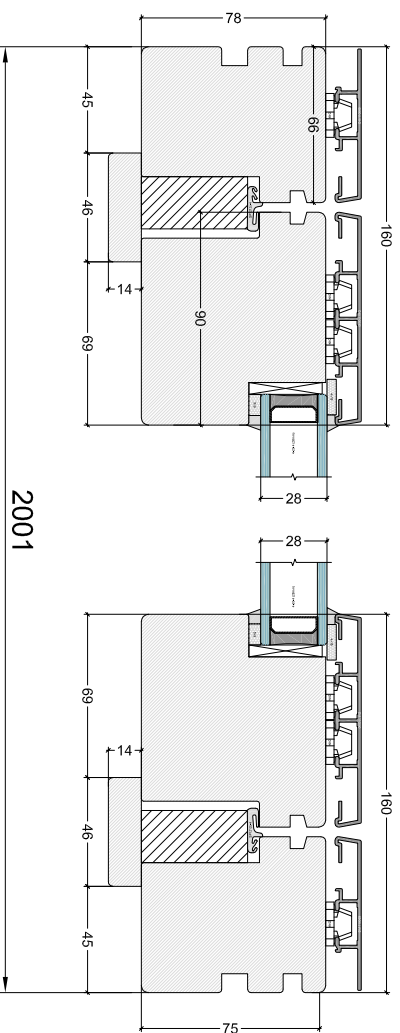
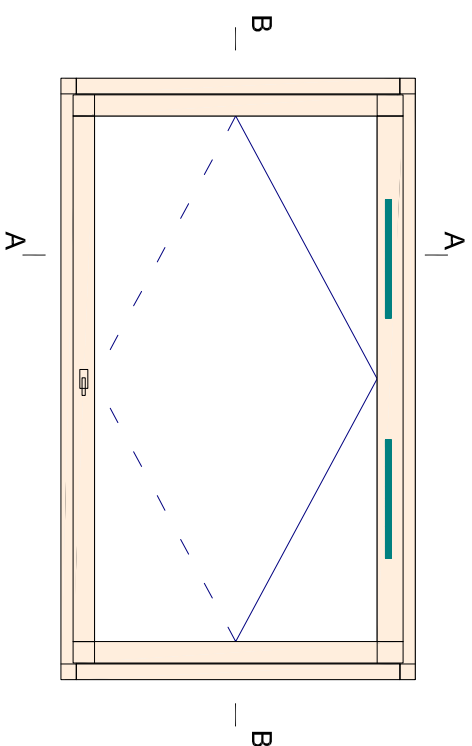
**A-A**



**2543**

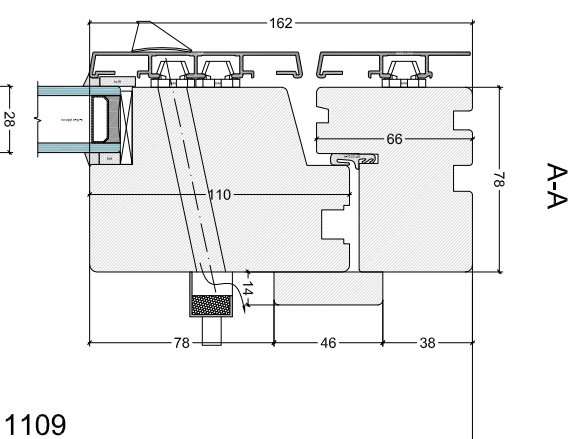
Atestai Nr.				<b>W6</b>	Doleta Modern 10	
Mastelis	Braižė	Kažem				
	Tikrino	-				
	Priėmė	-			Lapai	-
Etapas	***				Lapai	Lapų
ND						
					3	4

- View from inside;
- Doleta Modern 10 system;
- U-value: 1,12W/m<sup>2</sup>K;
- Approx weight: 67kg;
- Rw+Ctr 38;
- Internal finish RAL \*\*\*\*;
- External finish RAL \*\*\*\*;
- Glazing unit: 28mm,
- 4-20Ar-4XN,
- Spacer SWU RAL9005.




2001

B-B



A-A

1109

Atestāto Nr.						W6	Doleta Modern 10	Laiņa
Materiāls	Brāzls	Kaņzem						
	Tīkino	-						
Etapas	***							
ND								
					Lapas	4	Lapu	4